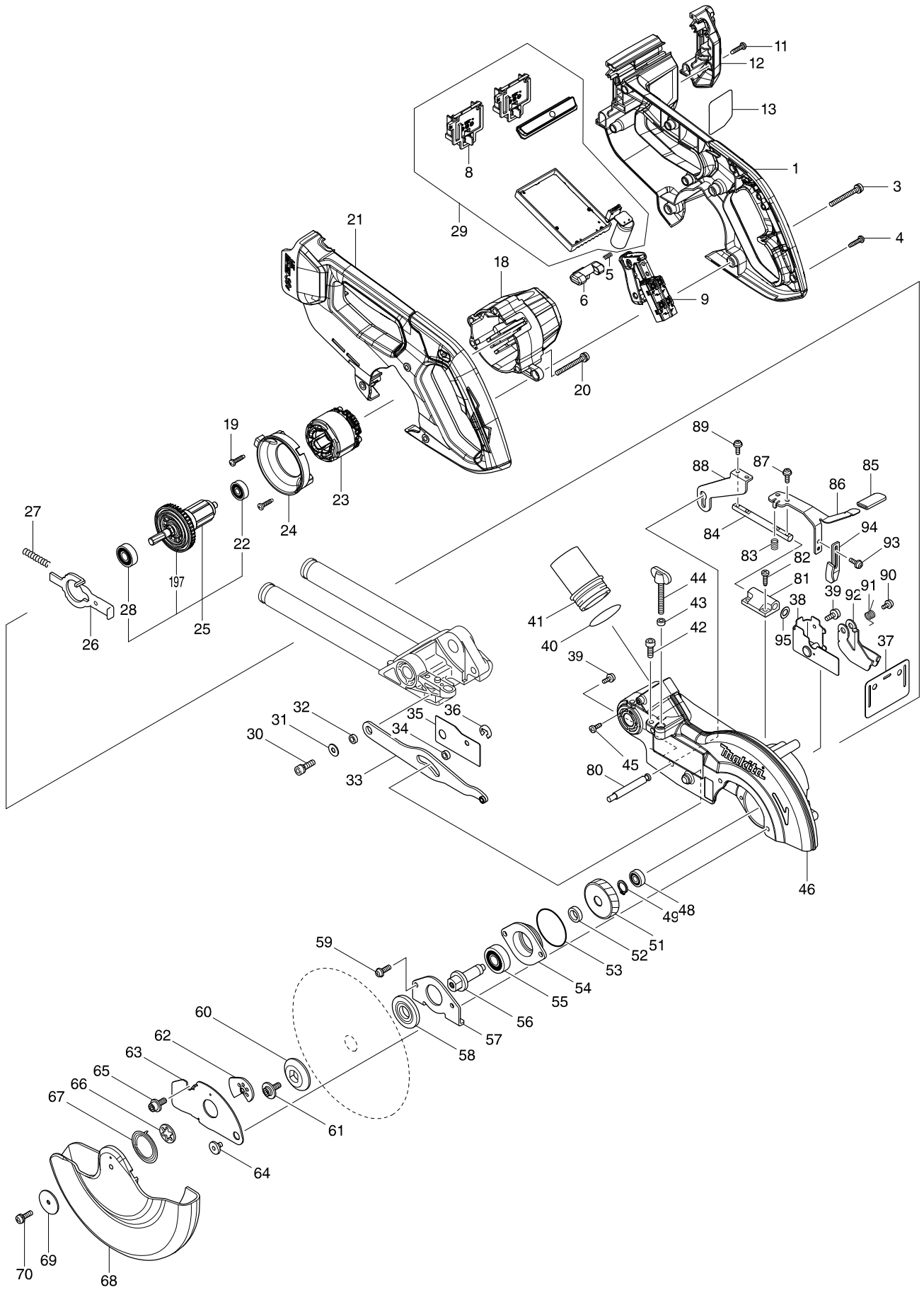
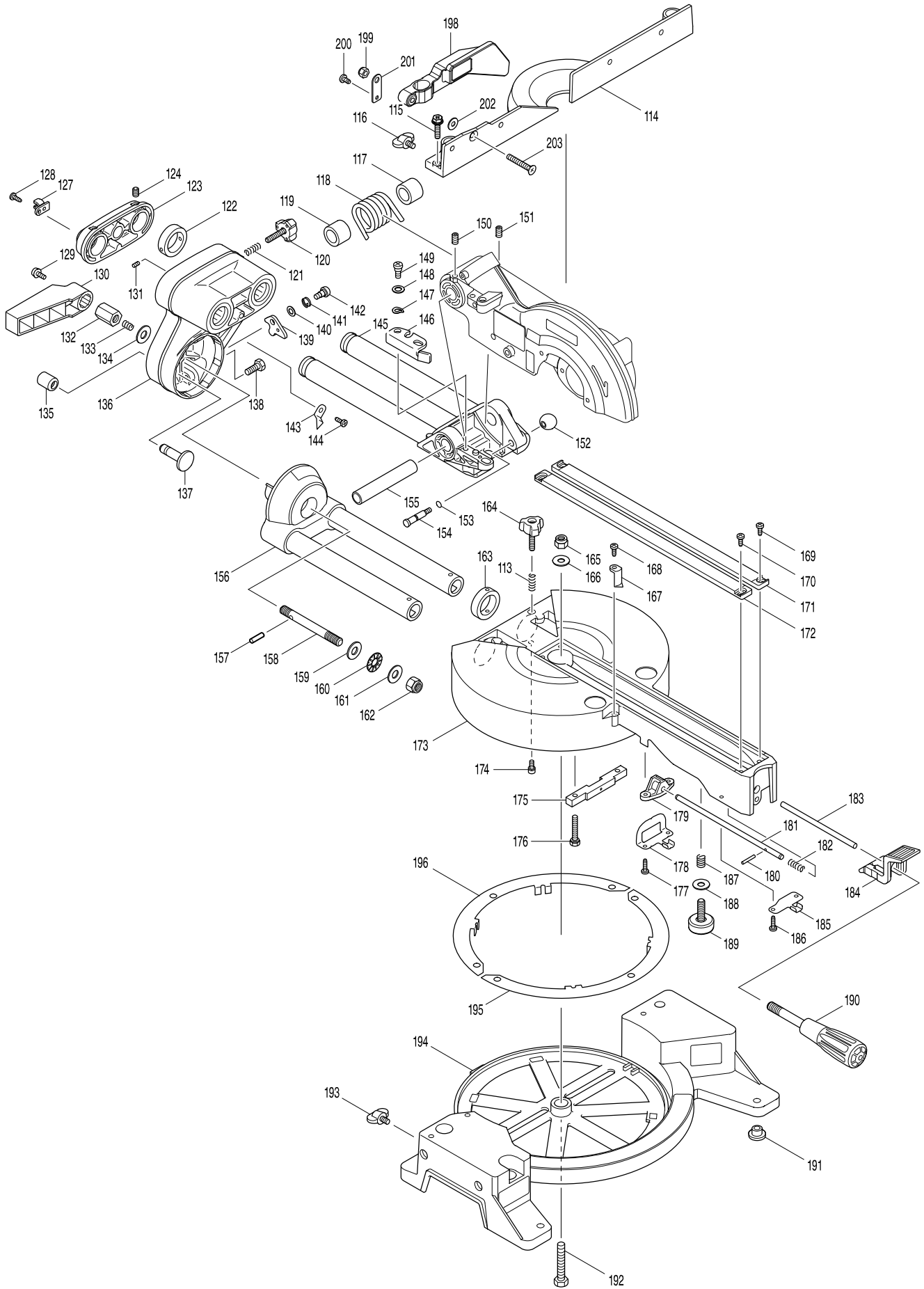


Model No. DLS714 DC SLIDE COMPOUND MITER SAW



Model No. DLS714 DC SLIDE COMPOUND MITER SAW



Model No. DLS714 DC SLIDE COMPOUND MITER SAW

Item	Parts No.	Description	I/C	QTY	N/O	Opt. 1	Opt. 2	NOTE
001	183B55-3	HANDLE SET		1				
D10		INC. 21						
003	911268-2	PAN HEAD SCREW M5X45		3	100			
004	265995-6	TAPPING SCREW 4X18		6	100			
005	231397-8	COMPRESSION SPRING 4		1	100			
006	456024-8	LOCK OFF BUTTON		1				
008	644808-8	TERMINAL		2	100			
009	650756-1	SWITCH		1				
011	265995-6	TAPPING SCREW 4X18		3	100			
012	143268-6	HANDLE COVER COMPLETE		1				
C10	263005-3	RUBBER PIN 6		1	100			
013	851E60-3	DLS714 NAME PLATE		1				
018	456022-2	MOTOR HOUSING		1				
019	265995-6	TAPPING SCREW 4X18		2	100			
020	911268-2	PAN HEAD SCREW M5X45		3	100			
021	183B55-3	HANDLE SET		1				
D10		INC. 1						
022	210017-7	BALL BEARING 607DDW		1	100			
023	629157-4	STATOR		1				
024	456023-0	BAFFLE PLATE		1				
025	519373-5	ROTOR ASS'Y		1				
D10		INC. 22,28,197						
026	344681-3	SHAFT LOCK		1	100			
027	233092-6	COMPRESSION SPRING 5		1	100			
028	211092-6	BALL BEARING 629DDW		1	100			
029	143291-1	CONTROLLER COMPLETE		1				
D10		INC. 8						
030	922331-6	HEX. SOCKET HEAD BOLT M6X20		1	100			
031	253804-1	FLAT WASHER 6		1	100			
032	257163-5	RING 6		1	100			
033	154643-1	LINK PLATE COMPLETE		1	100			
034	257163-5	RING 6		1	100			
035	346330-8	LINK COVER		1	100			
036	961018-5	STOP RING E-5		1	100			
037	421626-9	GUARD		1	100			
038	165414-1	GUARD PLATE COMPLETE		1	100			
039	911113-1	PAN HEAD SCREW M4X10 WITH WR		1	100			
040	213460-9	O RING 35		1	100			
041	419277-0	DUST NOZZLE		1				
042	266757-5	HEX. SOCKET HEAD BOLT M6X16		1	100			
043	262001-8	URETHANE RING 5		1	100			
044	265717-4	SCREW M6X43		1	100			
045	266026-4	TAPPING SCREW BIND CT 4X12		1	100			
046	143350-1	BLADE CASE COMPLETE		1				
C10	263002-9	RUBBER PIN 4		1	100			
C20	263005-3	RUBBER PIN 6		1	100			
048	210017-7	BALL BEARING 607DDW		1	100			
049	961052-5	RETAINING RING S-12		1	100			

Model No. DLS714 DC SLIDE COMPOUND MITER SAW

Item	Parts No.	Description	I/C	QTY	N/O	Opt. 1	Opt. 2	NOTE
051	227810-2	HELICAL GEAR 53		1				
052	257088-3	RING 12		1		100		
053	213623-7	O RING 46		1		100		
054	317193-9	BEARING BOX		1		100		
055	211129-9	BALL BEARING 6201DDW		1		100		
056	323798-5	SPINDLE		1		100		
057	285736-4	BEARING RETAINER 58		1		100		
058	224370-5	INNER FLANGE 40		1		100		
059	911223-4	PAN HEAD SCREW M5X16		2		100		
060	224275-9	OUTER FLANGE 40		1		100		
061	266733-9	HEX. S.F.H. BOLT M6X16		1		100		
062	345585-2	CENTER PLATE		1		100		
063	346232-8	CENTER COVER		1		100		
064	265985-9	HEX.SOCKET HEAD BOLT M6		1		100		
065	266732-1	HEX. SOCKET HEAD BOLT M6X16		1		100		
066	345589-4	CENTER WASHER		1		100		
067	231934-8	SPIRAL SPRING 26		1		100		
068	453298-2	SAFETY COVER		1		100		
069	267136-0	FLAT WASHER 5		1		100		
070	265491-4	H.S. BUTTON HEAD BOLT M5X16		1		100		
080	324455-8	LOCK PIN		1		100		
081	452134-9	ROD HOLDER		1		100		
082	266034-5	TAPPING SCREW CT 4X16		2		100		
083	231316-4	COMPRESSION SPRING 7		1		100		
084	325980-2	ROD 8		1		100		
085	421589-9	CAP		1		100		
086	346320-1	LOCK LEVER		1		100		
087	911113-1	PAN HEAD SCREW M4X10 WITH WR		2		100		
088	346322-7	LOCK PLATE		1		100		
089	911113-1	PAN HEAD SCREW M4X10 WITH WR		2		100		
090	911114-9	PAN HEAD SCREW M4X10		1		100		
091	231690-0	TORSION SPRING 8		1		100		
092	346550-4	GUARD		1		100		
093	911113-1	PAN HEAD SCREW M4X10 WITH WR		2		100		
094	346321-9	SUB LEVER		1		100		
095	253215-0	FLAT WASHER 8		1		100		
113	231325-3	COMPRESSION SPRING 6		1		100		
114	319193-5	GUIDE FENCE		1				
115	922344-7	H.S.H.BOLT M6X25 WITH WG		3		100		
116	251887-5	SCREW M6X10		1		100		
117	416535-5	SLEEVE 17		1		100		
118	233520-1	TORSION SPRING 28		1				
119	416535-5	SLEEVE 17		1		100		
120	265790-4	THUMB SCREW M6X28		1		100		
121	231325-3	COMPRESSION SPRING 6		1		100		
122	257214-4	RING 26		1		100		
123	318651-8	PIPE HOLDER		1		100		
124	266208-8	H.S.SET SCREW(CUP POINT)M6X8		2		100		

Model No. DLS714 DC SLIDE COMPOUND MITER SAW

Item	Parts No.	Description	I/C	QTY	N/O	Opt. 1	Opt. 2	NOTE
127	687045-1	STRAIN RELIEF		1	100			
128	266026-4	TAPPING SCREW BIND CT 4X12		1	100			
129	911113-1	PAN HEAD SCREW M4X10 WITH WR		1	100			
130	416006-2	LEVER 100		1	100			
131	913106-4	SET SCREW M4X8		1	100			
132	252144-4	HEX. NUT M10-17		1	100			
133	231266-3	COMPRESSION SPRING 5		1	100			
134	253024-7	FLAT WASHER 10		1	100			
135	286236-7	CAP 16		1	100			
136	140609-7	ARM COMPLETE		1	100			
C10	211376-2	LINEAR BALL BEARING 2560		2	100			
C20	262077-5	FELT RING 25		4	100			
C30	263005-3	RUBBER PIN 6		2	100			
C40	344638-4	CAP 35		2	100			
137	324295-4	RELEASE PIN		1	100			
138	266757-5	HEX. SOCKET HEAD BOLT M6X16		2	100			
139	345299-3	STOPPER PLATE		1	100			
140	253726-5	FLAT WASHER 6		1	100			
141	231663-3	TORSION SPRING 8		1	100			
142	265113-6	+PAN HEAD SCREW M5		1	100			
143	343678-9	POINTER		1	100			
144	266026-4	TAPPING SCREW BIND CT 4X12		1	100			
145	140608-9	FRONT ARM COMPLETE		1	100			
146	344643-1	STOPPER ARM		1	100			
147	253948-7	WAVE WASHER 8		1	100			
148	253835-0	FLAT WASHER 8		1	100			
149	251267-5	+ PAN HEAD SCREW M6		1	100			
150	251961-9	H.S.SET SCREW(FLAT POINT)M6X10		1	100			
151	251961-9	H.S.SET SCREW(FLAT POINT)M6X10		1	100			
152	271601-3	KNOB 20		1	100			
153	213021-5	O RING 5		1	100			
154	324183-5	STOPPER PIN		1	100			
155	331350-5	PIN 16-90		1	100			
156	140610-2	ARM HOLDER COMPLETE		1	100			
C10	816392-5	BEVEL SCALE LABEL		1	100			
157	256123-4	PIN 5		1	100			
158	266320-4	SCREW M10		1	100			
159	253024-7	FLAT WASHER 10		1	100			
160	216413-7	THRUST NEEDLE CAGE 1024		1	100			
161	253024-7	FLAT WASHER 10		1	100			
162	252130-5	HEX. LOCK NUT M10-17		1	100			
163	257214-4	RING 26		1	100			
164	265790-4	THUMB SCREW M6X28		1	100			
165	252105-4	HEX. LOCK NUT M8-13		1	100			
166	253731-2	FLAT WASHER 8		1	100			
167	416355-7	INDICATION PLATE		1	100			
168	266026-4	TAPPING SCREW BIND CT 4X12		1	100			
169	266026-4	TAPPING SCREW BIND CT 4X12		2	100			

Model No. DLS714 DC SLIDE COMPOUND MITER SAW

Item	Parts No.	Description	I/C	QTY	N/O	Opt. 1	Opt. 2	NOTE
170	266026-4	TAPPING SCREW BIND CT 4X12		2	100			
171	419103-3	KERF BOARD		1	100			
172	419103-3	KERF BOARD		1	100			
173	140614-4	TURN BASE COMPLETE		1	100			
C10	211376-2	LINEAR BALL BEARING 2560		2	100			
C20	262077-5	FELT RING 25		4	100			
C30	263005-3	RUBBER PIN 6		1	100			
C40	344638-4	CAP 35		2	100			
C50	810495-7	CAUTION LABEL		1	100			
C60	817283-3	CAUTION LABEL		2	100			
174	922111-0	HEX. SOCKET HEAD BOLT M4X10		1	100			
175	153580-6	SQUARE ROD COMPLETE		1	100			
C10	263005-3	RUBBER PIN 6		1	100			
176	925251-3	HEX.BOLT M5X30		2	100			
177	266034-5	TAPPING SCREW CT 4X16		2	100			
178	344601-7	LOCK PLATE		1	100			
179	317616-7	PIN HOLDER		1	100			
180	256158-5	PIN 3		1	100			
181	324288-1	LOCK PIN		1	100			
182	231325-3	COMPRESSION SPRING 6		1	100			
183	324289-9	ROD 6		1	100			
184	416450-3	LOCK LEVER		1	100			
185	345272-3	LOCK LEVER PLATE		1	100			
186	266034-5	TAPPING SCREW CT 4X16		2	100			
187	231418-6	COMPRESSION SPRING 9		1	100			
188	253731-2	FLAT WASHER 8		1	100			
189	266432-3	ADJUST BOLT M8X27		1	100			
190	273658-0	GRIP 32		1				
191	286212-1	CAP 20		5	100			
192	921472-5	HEX. BOLT M8X50		1	100			
193	251887-5	SCREW M6X10		2	100			
194	140612-8	BASE COMPLETE		1	100			
C10	816339-9	MITER SCALE PLATE		1	100			
C20	810486-8	CAUTION LABEL		1	100			
195	344646-5	SLIDE PLATE		1	100			
196	344646-5	SLIDE PLATE		1	100			
197	240033-5	FAN 57		1	100			
198	142811-8	SUB FENCE COMPLETE		1				
C10	805R08-5	CAUTION LABEL		1				
199	252014-7	HEX. LOCK NUT M6-10		1	100			
200	266061-2	TAPPING SCREW BIND CT 4X8		1	100			
201	345359-1	SUB FENCE PLATE		1				
202	253804-1	FLAT WASHER 6		1	100			
203	912357-6	COUNTERSUNK HEAD SCREW M6X35		1	100			
A01	122571-8	VICE ASS'Y		1				
C10	316938-2	WISE ARM		1	100			
C20	251887-5	SCREW M6X10		1	100			
C30	322313-2	WISE ROD		1	100			

