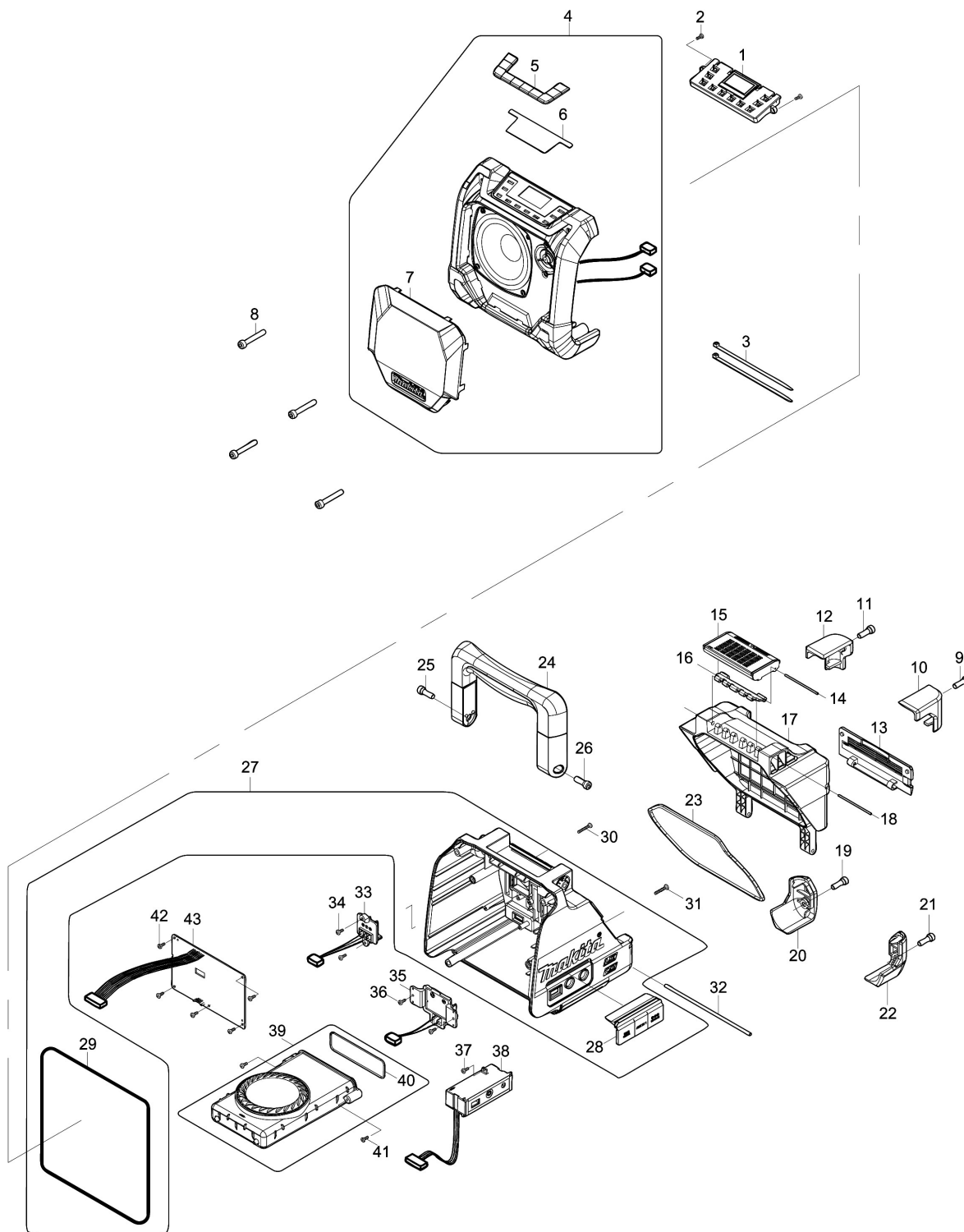


Model No.DMR202 CORDLESS JOB SITE SPEAKER



Model No.DMR202 CORDLESS JOB SITE SPEAKER

| Item | Parts No. | Description | I/C | QTY | New/Old | Opt. 1 | Opt. 2 | NOTE |
|------|------------|------------------------------------|-----|-----|---------|--------|--------|------|
| 001 | SE00000632 | CIRCUIT BOARD C ASSY (KEYBOARD) | | 1 | | | | |
| 002 | SE00000521 | SCREW PTB 3X8(ZK) 29S16308001 | | 2 | | | | |
| 003 | SE00000195 | W/TIES 100MM | | 2 | | 100 | | |
| 004 | SE00000635 | FRONT CABINET-BLUE 01F BA1 | | 1 | | | | |
| D10 | | INC. 5-7 | | | | | | |
| 005 | SE00000633 | RUBBERE KEY 3100 B0000010 | | 1 | | | | |
| 006 | SE00000634 | DISPLAY PLATE 3150 B0000010 | | 1 | | | | |
| 007 | SE00000637 | SPEAKER GRILL 01K BA1 | | 1 | | | | |
| 008 | SE00000530 | SCREW PTHE 6X37(CR) 29S1793701 | | 4 | | | | |
| 009 | SE09176166 | HEX SCREW M6X16 | | 1 | | 100 | | |
| 010 | SE00000531 | BATTERY BUMPER R 3163B30000010 | | 1 | | | | |
| 011 | SE09176166 | HEX SCREW M6X16 | | 1 | | 100 | | |
| 012 | SE00000532 | BATTERY BUMPER L 3162B30000010 | | 1 | | | | |
| 013 | SE00000534 | PHONE COVER ASS'Y 011B3A5 | | 1 | | | | |
| 014 | SE00000533 | PIN D2X88 2100B300100 | | 1 | | | | |
| 015 | SE00000535 | LOCKER COVER 3121B30000010 | | 1 | | | | |
| 016 | SE00000536 | LOCKER HINGE 3300B30000010 | | 1 | | | | |
| 017 | SE00000537 | BATTERY COVER (BLUE) 3120B3000 | | 1 | | | | |
| 018 | SE00000539 | PIN D2X77 2100B300200 | | 1 | | | | |
| 019 | SE09176166 | HEX SCREW M6X16 | | 1 | | 100 | | |
| 020 | SE00000540 | REAR BUMPER L 3160B30000010 | | 1 | | | | |
| 021 | SE09176166 | HEX SCREW M6X16 | | 1 | | 100 | | |
| 022 | SE00000541 | REAR BUMPER R 3161B30000010 | | 1 | | | | |
| 023 | SE00000542 | BATTERY PACKING 2400B300200 | | 1 | | | | |
| 024 | SE00000543 | HANDLE ASS'Y-BLUE 01HB3A1 | | 1 | | | | |
| 025 | SE09176166 | HEX SCREW M6X16 | | 1 | | 100 | | |
| 026 | SE09176166 | HEX SCREW M6X16 | | 1 | | 100 | | |
| 027 | SE00000649 | REAR ASS'Y BLUE 01R AA1 | | 1 | | | | |
| D10 | | INC. 28,29 | | | | | | |
| 028 | SE00000547 | JACK RUBBER COVER 3126B3000001 | | 1 | | | | |
| 029 | SE024PC040 | PACKING | | 1 | | 100 | | |
| 030 | SE00000548 | SCREW PTB 3X20(ZK) 29S09990047 | | 1 | | | | |
| 031 | SE00000548 | SCREW PTB 3X20(ZK) 29S09990047 | | 1 | | | | |
| 032 | SE00000549 | BATTERY COVER FIXER PIN 2100b3 | | 1 | | | | |
| 033 | SE00000651 | TERMINAL 10.8V ASSY 011 AA1 | | 1 | | | | |
| 034 | SE00000521 | SCREW PTB 3X8(ZK) 29S16308001 | | 2 | | | | |
| 035 | SE00000652 | TERMINAL D ASSY 011 AA2 | | 1 | | | | |

Please order the parts with part number.

Print Date 11/3/2019

Model No.DMR202 CORDLESS JOB SITE SPEAKER

| Item | Parts No. | Description | I/C | QTY | New/Old | Opt. 1 | Opt. 2 | NOTE |
|------|------------|-----------------------------------|-----|-----|---------|--------|--------|------|
| 036 | SE00000521 | SCREW PTB 3X8(ZK) 29S16308001 | | 2 | | | | |
| 037 | SE00000521 | SCREW PTB 3X8(ZK) 29S16308001 | | 1 | | | | |
| 038 | SE00000654 | JACK HOLDER ASS'Y-BLUE 011 AA3 | | 1 | | | | |
| 039 | SE00000555 | MOBILE-PHONE-CASE ASS'Y 011B3A | | 1 | | | | |
| D10 | | INC. 40 | | | | | | |
| 040 | SE00000556 | PHONE CASE PACKING 2400B300400 | | 1 | | | | |
| 041 | SE00000557 | SCREW PTPW 3X10(ZK) 29S1531000 | | 2 | | | | |
| 042 | SE00000521 | SCREW PTB 3X8(ZK) 29S16308001 | | 5 | | | | |
| 043 | SE00000639 | PCB A ASS'Y DMR202 07A BA2 | | 1 | | | | |
| A01 | SE00000498 | AC ADAPTER (UK) 3A8A12C723B11 | | 1 | | | | |

Please order the parts with part number.

Print Date 11/3/2019