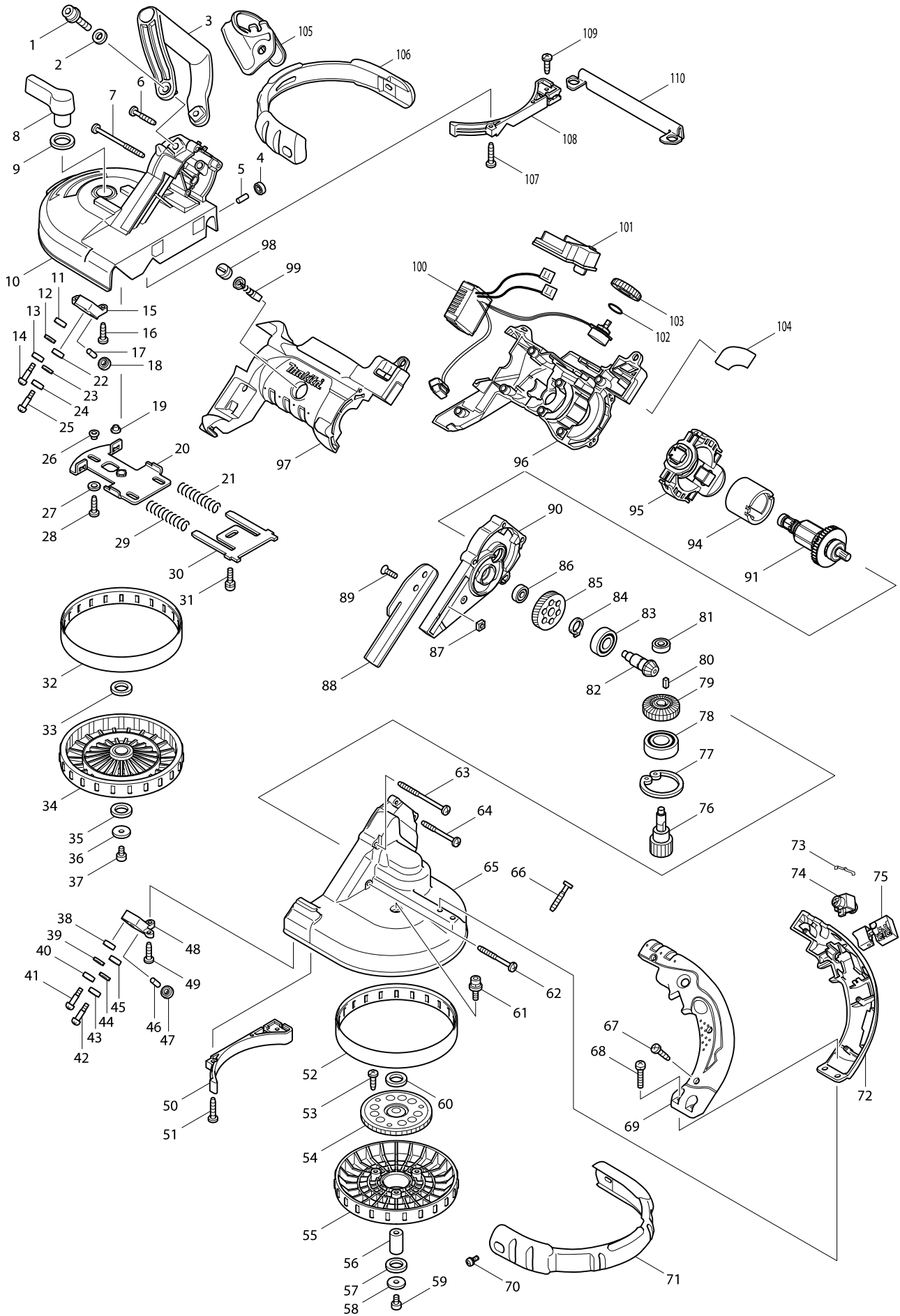


Model No. DPB180 CORDLESS PORTABLE BAND SAW



Model No. DPB180 CORDLESS PORTABLE BAND SAW

Item	Parts No.	Description	I/C	QTY	N/O	Opt. 1	Opt. 2	NOTE
001	922456-6	HEX. SOCKET HEAD BOLT M8X35		2		100		
002	941202-8	FLAT WASHER 8		2		100		
003	273525-9	GRIP		1		100		
004	210033-9	BALL BEARING 696ZZ		1	*	100		
004-1	143517-1	BLADE GUIDE COMPLETE	S	1				
005	256033-5	PIN 6		1	*	100		
005-1	268225-4	PIN 5	S	1		100		
006	265999-8	TAPPING SCREW 4X25		2		100		
007	266147-2	TAPPING SCREW 4X55		2		100		
008	272223-2	LEVER 60		1		100		
009	267041-1	FLAT WASHER 20		1		100		
010	158703-1	FRONT WHEEL COVER COMPLETE		1		100		
C10	816212-3	INDICATIONAL LABEL		1		100		
011	210033-9	BALL BEARING 696ZZ		1		100		
012	941152-7	FLAT WASHER 6		1		100		
013	210033-9	BALL BEARING 696ZZ		1		100		
014	251337-0	+ PAN HEAD SCREW M5		1		100		
015	317824-0	UPPER HOLDER		1		100		
016	266034-5	TAPPING SCREW CT 4X16		2		100		
017	256033-5	PIN 6		1		100		
018	210033-9	BALL BEARING 696ZZ		1		100		
019	343494-9	SLEEVE 5		1		100		
020	163276-1	SLIDE PLATE		1		100		
021	231449-5	COMPRESSION SPRING 11		1		100		
022	210033-9	BALL BEARING 696ZZ		1		100		
023	941152-7	FLAT WASHER 6		1		100		
024	210033-9	BALL BEARING 696ZZ		1		100		
025	251337-0	+ PAN HEAD SCREW M5		1		100		
026	343494-9	SLEEVE 5		3		100		
027	941051-3	FLAT WASHER 4		3		100		
028	266034-5	TAPPING SCREW CT 4X16		3		100		
029	231449-5	COMPRESSION SPRING 11		1		100		
030	343489-2	TENSION PLATE		1		100		
031	911221-8	PAN HEAD SCREW M5X16		1		100		
032	421333-4	RUBBER TIRE		1		100		
033	253749-3	FLAT WASHER 16		1		100		
034	152325-9	WHEEL COMPLETE		1		100		
035	253749-3	FLAT WASHER 16		1		100		
036	253010-8	FLAT WASHER 6		1		100		
037	922312-0	HEX. SOCKET HEAD BOLT M6X12		1		100		
038	210033-9	BALL BEARING 696ZZ		1		100		
039	941152-7	FLAT WASHER 6		1		100		
040	210033-9	BALL BEARING 696ZZ		1		100		
041	251337-0	+ PAN HEAD SCREW M5		1		100		
042	251337-0	+ PAN HEAD SCREW M5		1		100		
043	210033-9	BALL BEARING 696ZZ		1		100		
044	941152-7	FLAT WASHER 6		1		100		
045	210033-9	BALL BEARING 696ZZ		1		100		

Model No. DPB180 CORDLESS PORTABLE BAND SAW

Item	Parts No.	Description	I/C	QTY	N/O	Opt. 1	Opt. 2	NOTE
046	256033-5	PIN 6		1	100			
047	210033-9	BALL BEARING 696ZZ		1	100			
048	317823-2	LOWER HOLDER		1	100			
049	266034-5	TAPPING SCREW CT 4X16		2	100			
050	418784-0	SAW GUARD HOLDER		1	100			
051	266042-6	TAPPING SCREW BIND CT 4X20		2	100			
052	421333-4	RUBBER TIRE		1	100			
053	266021-4	TAPPING SCREW 5X20		3	100			
054	154949-7	GEAR COMPLETE		1	100			
055	419506-1	WHEEL		1	100			
056	324513-0	LOWER SHAFT		1	100			
057	253749-3	FLAT WASHER 16		1	100			
058	253010-8	FLAT WASHER 6		1	100			
059	922312-0	HEX. SOCKET HEAD BOLT M6X12		1	100			
060	253749-3	FLAT WASHER 16		1	100			
061	922323-5	HEX.SOCKET HEAD BOLT M6X16		1	100			
062	266203-8	TAPPING SCREW BIND CT 4X40		1	100			
063	266147-2	TAPPING SCREW 4X55		2	100			
064	266048-4	TAPPING SCREW 4X40		2	100			
065	317947-4	REAR WHEEL COVER		1	100			
066	265995-6	TAPPING SCREW 4X18		8	100			
067	265995-6	TAPPING SCREW 4X18		2	100			
068	911243-8	PAN HEAD SCREW M5X25		2	100			
069	188108-1	HANDLE SET		1	100			
D10		INC. 72						
070	911213-7	PAN HEAD SCREW M5X12		4	100			
071	168412-4	REAR BUMPER		1	100			
072	188108-1	HANDLE SET		1	100			
D10		INC. 69						
073	232201-4	LEAF SPRING		1	100			
074	419504-5	LOCK OFF BUTTON		1	100			
075	650229-4	SWITCH SGE120C-3		1	100			
076	227170-2	SPUR GEAR 12		1	100			
077	962203-3	RETAINING RING R-47		1	100			
078	211306-3	BALL BEARING 6204LLB		1	100			
079	227470-0	SPIRAL BEVEL GEAR 29		1	100			
080	254202-2	KEY 4		1	100			
081	210029-0	BALL BEARING 608ZZ		1	100			
082	227481-5	SPIRAL BEVEL GEAR 11		1	100			
083	211241-5	BALL BEARING 6202DDW		1	100			
084	961055-9	RETAINING RING S-15		1	100			
085	226626-2	HELICAL GEAR 45		1	100			
086	210029-0	BALL BEARING 608ZZ		1	100			
087	252157-5	SQUARE NUT M6		2	100			
088	345467-8	STOPPER PLATE		1	100			
089	251981-3	HEX. SOCKET HEAD BOLT M6X16		2	100			
090	154475-6	GEAR HOUSING COMPLETE		1	100			
091	619187-3	ARMATURE		1	151			

