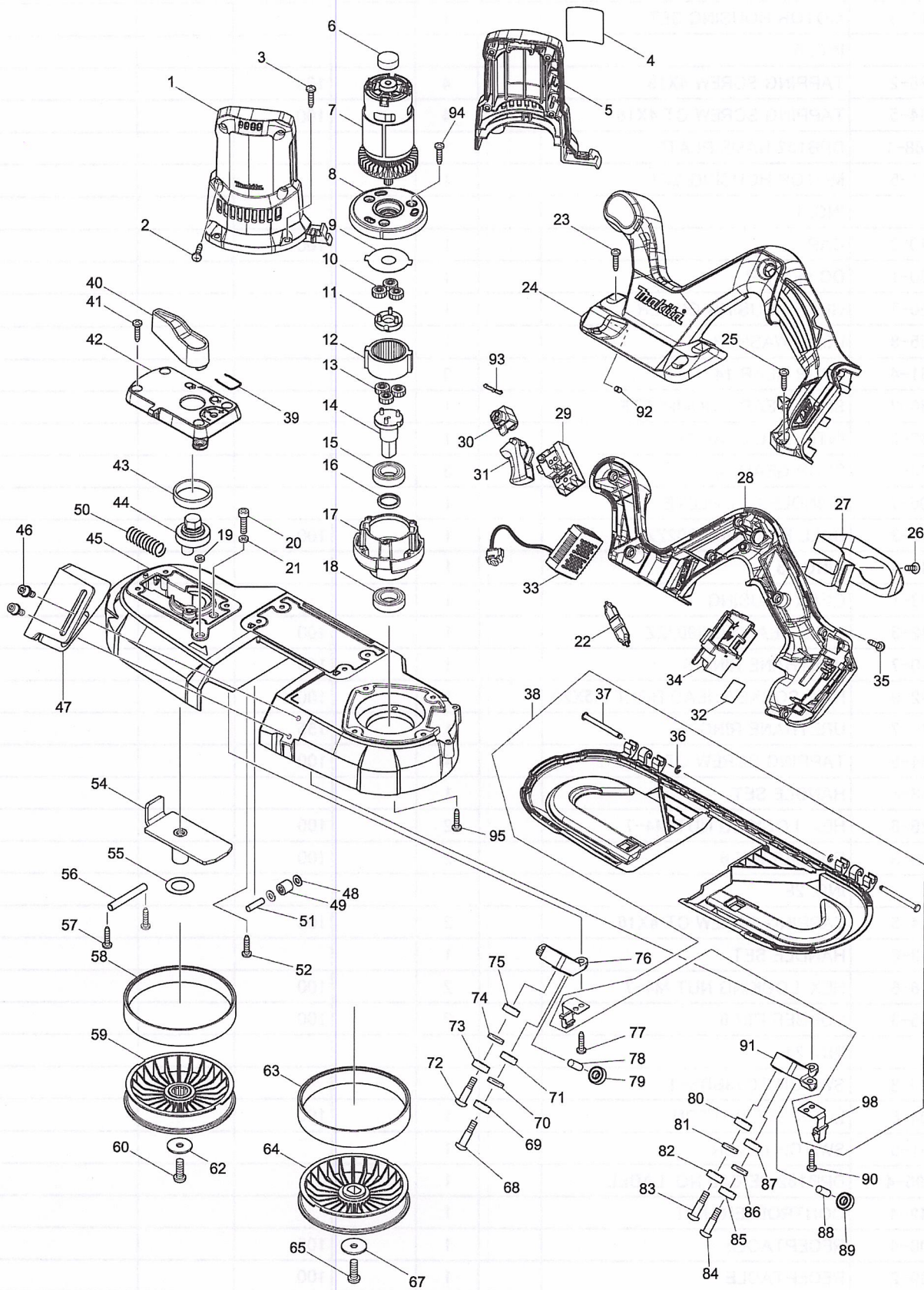


Model No.DPB182 CORDLESS PORTABLE BAND SAW



Model No.DPB182 CORDLESS PORTBABLE BAND SAW

Item	Parts No.	Description	I/C	QTY	New/Old	Opt. 1	Opt. 2	NOTE
001	187711-5	MOTOR HOUSING SET		1				
D10		INC. 5						
002	266326-2	TAPPING SCREW 4X18		4		100		
003	266034-5	TAPPING SCREW CT 4X16		4		100		
004	855M88-1	DPB182 NAME PLATE		1				
005	187711-5	MOTOR HOUSING SET		1				
D10		INC. 1						
006	421940-3	CAP		1		100		
007	629400-1	DC MOTOR		1				
008	454650-7	GEAR HOUSING COVER		1				
009	267855-8	LOCK WASHER		1				
010	227331-4	SPUR GEAR 14		3				
011	144386-3	SPUR GEAR 7 COMPLETE		1				
012	227332-2	INTERNAL GEAR 36		1				
013	226900-8	SPUR GEAR 14		3				
014	140J06-7	SPINDLE COMPLETE		1				
015	211242-3	BALL BEARING 6902ZZ		1		100		
016	257348-3	RING 15		1				
017	319793-1	GEAR HOUSING		1				
018	211242-3	BALL BEARING 6902ZZ		1		100		
019	262130-7	URETHANE RING 4		1		155		
020	265382-9	HEX. SOCKET HEAD BOLT M5X20		1		100		
021	262130-7	URETHANE RING 4		1		155		
023	266034-5	TAPPING SCREW CT 4X16		4		100		
024	187763-6	HANDLE SET		1				
C10	252126-6	HEX. LOCKING NUT M4-7		2		100		
C20	263005-3	RUBBER PIN 6		2		100		
D10		INC. 28						
025	266034-5	TAPPING SCREW CT 4X16		2		100		
028	187763-6	HANDLE SET		1				
C10	252126-6	HEX. LOCKING NUT M4-7		2		100		
C20	263005-3	RUBBER PIN 6		2		100		
D10		INC. 24						
029	650705-8	SWITCH TG73BDS-1		1				
030	419504-5	LOCK OFF BUTTON		1		100		
031	454651-5	SWITCH LEVER		1				
032	855M95-4	DPB182 SERIAL NO. LABEL		1				
033	632L42-4	CONTROLLER UNIT		1				
C10	654208-4	RECEPTACLE		1		100		
C20	654069-2	RECEPTACLE		1		100		
034	643874-2	TERMINAL		1				
035	266326-2	TAPPING SCREW 4X18		7		100		
036	961017-7	STOP RING E-3		2		100		
037	256689-4	PIN 4		2		100		
038	197975-3	WHEEL COVER SET		1				

Please order the parts with part number.

Print Date 8/11/2019

Model No.DPB182 CORDLESS PORTBABLE BAND SAW

Item	Parts No.	Description	I/C	QTY	New/Old	Opt. 1	Opt. 2	NOTE
D10		INC. 36,37,98						
039	231955-0	RING SPRING 12		1		100		
040	272230-5	LEVER 54		1		100		
041	266034-5	TAPPING SCREW CT 4X16		4		100		
042	459084-9	LEVER HOLDER		1				
043	214408-4	PLANE BEARING 30		1				
044	326351-6	LEVER SHAFT		1				
045	140J09-1	FRAME COMPLETE		1				
C10	424736-1	SPONGE		1				
C20	263005-3	RUBBER PIN 6		1		100		
046	922218-2	H.S.H.BOLT M5X14 WITH WR		2		100		
047	346728-9	STOPPER PLATE		1				
048	267010-2	FLAT WASHER 5		2		100		
049	212199-1	NEEDLE BEARING 510		1				
050	234313-9	COMPRESSION SPRING 9		1				
051	256155-1	PIN 5		1		100		
052	266034-5	TAPPING SCREW CT 4X16		1		100		
054	162564-3	SLIDE PLATE		1				
055	267164-5	FLAT WASHER 15		1		100		
056	268241-6	PIN 6		1		100		
057	266034-5	TAPPING SCREW CT 4X16		2		100		
058	424589-8	RUBBER TIRE		1				
059	140J07-5	WHEEL COMPLETE A		1				
060	265484-1	HEX. SOCKET HEAD BOLT M6X17		1		100		
062	267173-4	FLAT WASHER 6		1		100		
063	424589-8	RUBBER TIRE		1				
064	459087-3	WHEEL B		1				
065	265484-1	HEX. SOCKET HEAD BOLT M6X17		1		100		
067	267173-4	FLAT WASHER 6		1		100		
068	251337-0	+ PAN HEAD SCREW M5		1		100		
069	210187-2	BALL BEARING 696ZZ		1				
070	941152-7	FLAT WASHER 6		1		100		
071	210187-2	BALL BEARING 696ZZ		1				
072	251337-0	+ PAN HEAD SCREW M5		1		100		
073	210187-2	BALL BEARING 696ZZ		1				
074	941152-7	FLAT WASHER 6		1		100		
075	210187-2	BALL BEARING 696ZZ		1				
076	319400-6	UPPER HOLDER 42		1				
077	266034-5	TAPPING SCREW CT 4X16		2		100		
078	256033-5	PIN 6		1		100		
079	210187-2	BALL BEARING 696ZZ		1				
080	210187-2	BALL BEARING 696ZZ		1				
081	941152-7	FLAT WASHER 6		1		100		
082	210187-2	BALL BEARING 696ZZ		1				
083	251337-0	+ PAN HEAD SCREW M5		1		100		

Please order the parts with part number.

Print Date 8/11/2019

