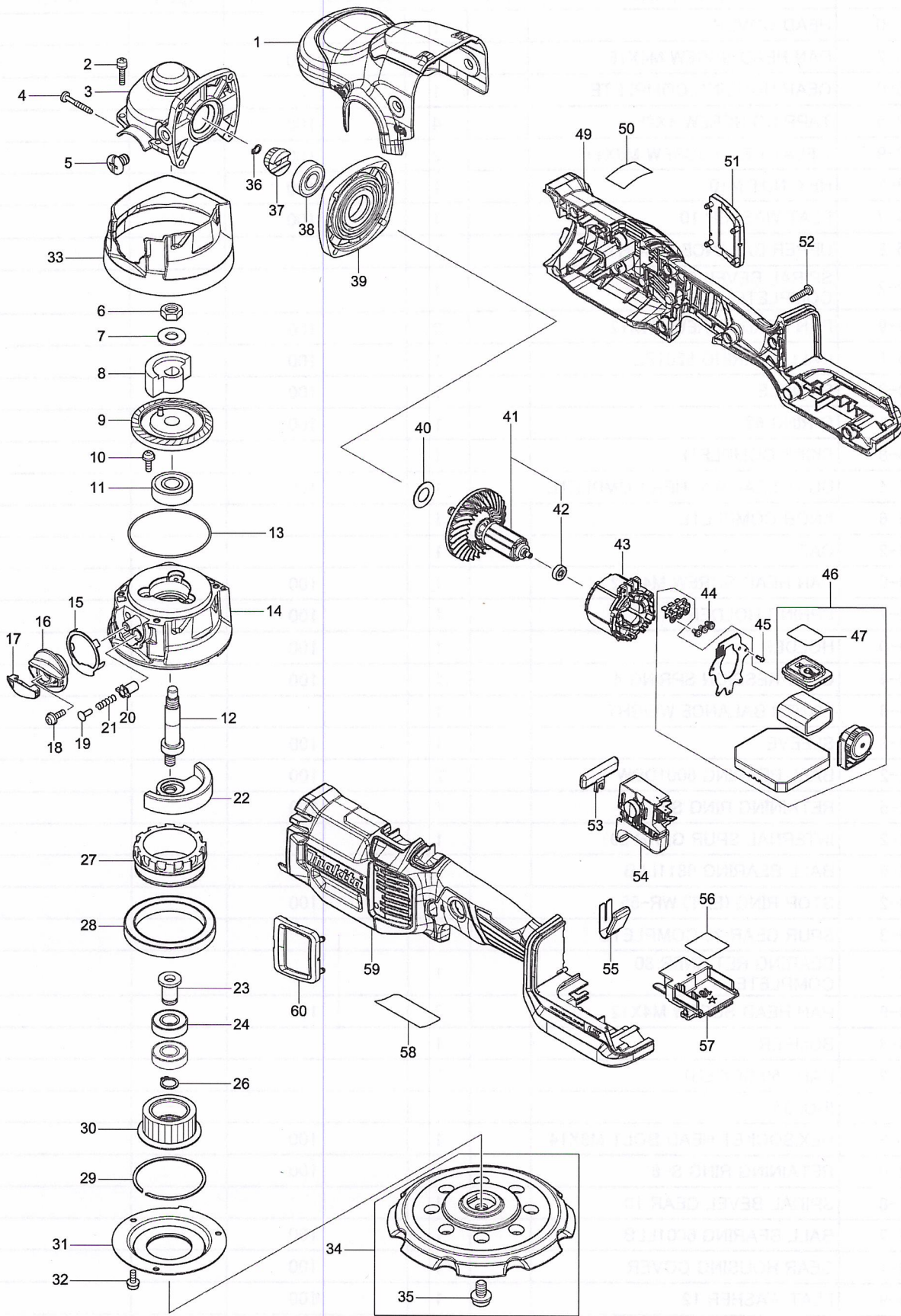


Model No.DPO600 150MM DC RANDOM ORBIT POLISER



Model No.DPO600 150MM DC RANDOM ORBIT POLISHER

Item	Parts No.	Description	I/C	QTY	New/Old	Opt. 1	Opt. 2	NOTE
001	456805-0	HEAD COVER		1				
002	911126-2	PAN HEAD SCREW M4X16		4		100		
003	143783-0	GEAR HOUSING COMPLETE		1				
004	266257-5	TAPPING SCREW 4X28		4		100		
005	265083-9	+ FLAT HEAD SCREW M8X11		2		100		
006	931503-2	HEX. NUT M10		1		100		
007	253024-7	FLAT WASHER 10		1		100		
008	326735-8	UPPER BALANCE WEIGHT		1				
009	143782-2	SPIRAL BEVEL GEAR 37 COMPLETE		1				
010	911119-9	PAN HEAD SCREW M4X12		3		100		
011	211145-1	BALL BEARING 6201ZZ		1		100		
012	324069-3	SPINDLE		1		100		
013	213724-1	O RING 62		1		100		
014	143784-8	SKIRT COMPLETE		1				
015	153427-4	DUST SEAL WASHER COMPLETE		1		100		
016	143785-6	KNOB COMPLETE		1				
017	456809-2	CAP		1				
018	911119-9	PAN HEAD SCREW M4X12		1		100		
019	417382-7	SPRING HOLDER		1		100		
020	345209-0	HOLDER		1		100		
021	231230-4	COMPRESSION SPRING 4		1		100		
022	326736-6	LOWER BALANCE WEIGHT		1				
023	324070-8	SLEEVE		1		100		
024	211131-2	BALL BEARING 6001DDW		2		100		
026	961052-5	RETAINING RING S-12		1		100		
027	221453-2	INTERNAL SPUR GEAR 29		1				
028	210146-6	BALL BEARING 6811LLB		1				
029	257933-2	STOP RING (EXT) WR-55		1		100		
030	143790-3	SPUR GEAR 26 COMPLETE		1				
031	143938-7	BEARING RETAINER 80 COMPLETE		1				
032	911119-9	PAN HEAD SCREW M4X12		3		100		
033	456806-8	BUMPER		1				
034	197928-2	PAD 150 SET(EU)		1				
D10		INC. 35						
035	266270-3	HEX.SOCKET HEAD BOLT M8X14		1		100		
036	961002-0	RETAINING RING S-6		1		100		
037	221450-8	SPIRAL BEVEL GEAR 10		1				
038	211142-7	BALL BEARING 6001LLB		1		100		
039	317359-1	GEAR HOUSING COVER		1		100		
040	253084-9	FLAT WASHER 12		1		100		
041	519546-0	ROTOR ASSY		1				
D10		INC. 42						
042	210036-3	BALL BEARING 604ZZ		1		100		
043	629391-6	STATOR		1				

Model No.DPO600 150MM DC RANDOM ORBIT POLISHER

Item	Parts No.	Description	I/C	QTY	New/Old	Opt. 1	Opt. 2	NOTE
044	652069-6	FLAT HEAD SCREW M3X6		3				
045	266490-9	TAPPING SCREW PT 2X6		3				
046	620A17-9	CONTROLLER COMPLETE		1				
D10		INC. 47						
047	818M11-7	SWITCH LABEL		1				
049	183K93-9	MOTOR HOUSING SET		1				
C10	263005-3	RUBBER PIN 6		2		100		
D10		INC. 59						
050	818M10-9	INDICATION LABEL		1				
051	422380-8	DUST COVER		1				
052	265995-6	TAPPING SCREW 4X18		10		100		
053	458972-7	LOCK OFF BUTTON		1				
054	651381-1	SWITCH C3JW-4B-2L64		1				
055	232494-3	LEAF SPRING		1				
056	855C07-7	DPO600 SERIAL NO. LABEL		1				
057	643874-2	TERMINAL		1				
058	855C04-3	DPO600 NAME PLATE		1				
059	183K93-9	MOTOR HOUSING SET		1				
C10	263005-3	RUBBER PIN 6		2		100		
D10		INC. 49						
060	422380-8	DUST COVER		1				
A01	783203-8	HEX. WRENCH 5		1				
A02	144163-3	GRIP 36 COMPLETE		1				
A03B	450128-8	BATTERY COVER		1				
A04B	***DC18RC	DC18RC FAST CHARGER		1				
D10		COMPO-PARTS						
A05B	197280-8	BATTERY BL1850B SET		2	*			
A05-1B	197280-8	BATTERY BL1850B SET	O	2				
A06B	831303-9	TOOL BAG		1				
E01	688131-1	LINE FILTER		1		100		

Please order the parts with part number.

Print Date 8/11/2019