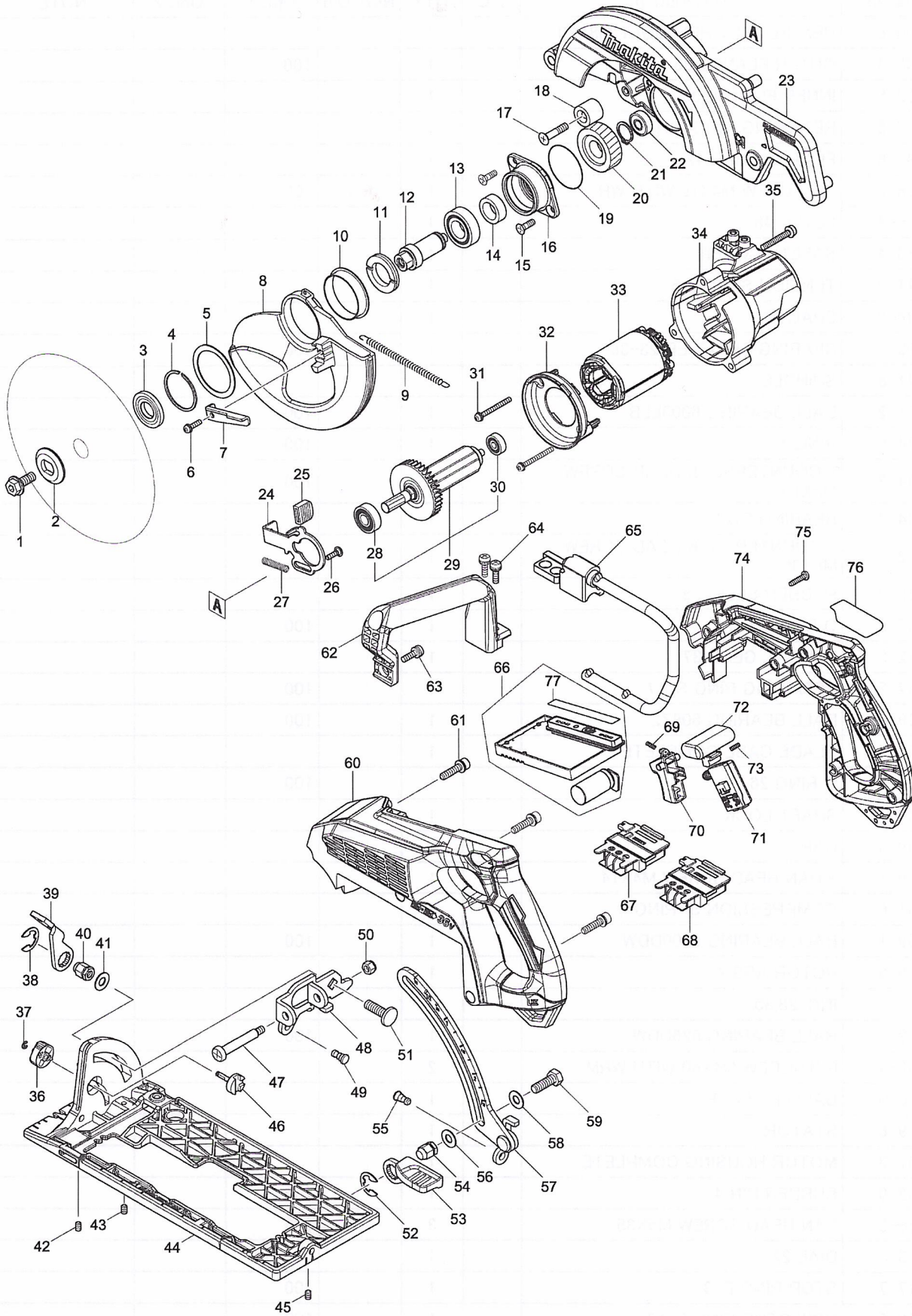


Model No.DRS780 185MM CORDLESS REAR HANDLE



Model No.DRS780 185MM CORDLESS REAR HANDLE

Item	Parts No.	Description	I/C	QTY	New/Old	Opt. 1	Opt. 2	NOTE
001	266400-6	HEX. SOCKET HEX. BOLT M8X20		1				
002	224409-4	OUTER FLANGE 35		1		100		
003-1	224593-5	INNER FLANGE 35		1				
004	257423-5	RETAINING RING(EXT) WR-42		1				
005	253393-6	FLAT WASHER 42		1				
006	911128-8	P.H.SCREW M4X16 WITH WR		1		100		
007	271435-4	LEVER 48		1				
008	319543-4	SAFETY COVER		1				
009	232371-9	TENSION SPRING 5		1				
010	457434-2	SPACER		1				
011	285809-3	BEARING RETAINER 23-36		1		100		
012	326941-5	SPINDLE		1				
013	211251-2	BALL BEARING 6003LLB		1		100		
014	257024-9	RING 17		1		100		
015	265034-2	+ COUNTERSUNK HEAD SCREW M5X16		2		100		
016	319544-2	BEARING BOX		1				
017	251572-0	+ COUNTERSUNK HEAD SCREW M6X30		1				
018	262185-2	RUBBER SLEEVE8		1				
019	213565-5	O RING 42		1		100		
020	221542-3	HELICAL GEAR 37		1				
021	961057-5	RETAINING RING S-17		1		100		
022	210029-0	BALL BEARING 608ZZ		1		100		
023	140F75-4	BLADE CASE COMPLETE		1				
C10	213434-0	O RING 26		1		100		
024	347168-4	SHAFT LOCK		1				
025	286039-9	CAP		1				
026	251529-1	+ PAN HEAD SCREW M4X14		1				
027	232381-6	COMPRESSION SPRING 6		1				
028	210059-1	BALL BEARING 6000DDW		1		100		
029-1	519435-9	ROTOR ASS'Y		1				
D10		INC. 28,30						
030	210022-4	BALL BEARING 626DDW		1		100		
031	911566-4	P.H.SCREW M4X40 WITH WRM		2				
032	457430-0	BAFFLE PLATE		1				
033	629259-6	STATOR		1				
034	144467-3	MOTOR HOUSING COMPLETE		1				
C10	263002-9	RUBBER PIN 4		1		100		
035	911258-5	PAN HEAD SCREW M5X35		3		100		
036	457963-5	DIAL 22		1				
037	961017-7	STOP RING E-3		1		100		
038	257953-6	BOW STOP RING E-12		1		100		
039	271434-6	LEVER 56		1				
040	252240-8	HEX. CAP NUT M8-13		1				
041	941201-0	FLAT WASHER 8		1		100		

Model No.DRS780 185MM CORDLESS REAR HANDLE

Item	Parts No.	Description	I/C	QTY	New/Old	Opt. 1	Opt. 2	NOTE
042	266229-0	H.S.SET SCREW(CUP POINT)M5X8		1		100		
043	266229-0	H.S.SET SCREW(CUP POINT)M5X8		1		100		
044	319796-5	BASE		1				
045	266229-0	H.S.SET SCREW(CUP POINT)M5X8		1		100		
046	324699-0	STOPPER PIN		1				
047	251221-9	+ PAN HEAD SCREW M6		1		100		
048	347169-2	ANGULAR GUIDE		1				
049	256511-5	SHOULDER PIN 6-7		1		100		
050	252014-7	HEX. LOCK NUT M6-10		1		100		
051	251537-2	FLATHEADSQUARE NECKBOLT M8X28		1				
052	257953-6	BOW STOP RING E-12		1		100		
053	271433-8	LEVER 59		1				
054	252240-8	HEX. CAP NUT M8-13		1				
055	256511-5	SHOULDER PIN 6-7		1		100		
056	941201-0	FLAT WASHER 8		1		100		
057	162566-9	DEPTH GUIDE		1				
058	941201-0	FLAT WASHER 8		1		100		
059	251538-0	HEX. BOLT M8X24		1				
060	183G65-0	HANDLE SET		1				
C10	263005-3	RUBBER PIN 6		4		100		
D10		INC. 74						
061	922343-9	H.S.H.BOLT M6X25 WITH WR		3		100		
062	457433-4	GRIP		1				
063	911228-4	PAN HEAD SCREW M5X18		1		100		
064	911228-4	PAN HEAD SCREW M5X18		2		100		
065-1	127074-7	HOOK ASSEMBLY		1				
066-1	135972-1	CONTROLLER ASSY		1				
D10		INC. 77						
067	643874-2	TERMINAL		1				
068	643874-2	TERMINAL		1				
069	231433-0	COMPRESSION SPRING 4		1		100		
070	457432-6	SWITCH LEVER		1				
071	651083-9	SWITCH C3XA-1PSPM		1				
072	457431-8	LOCK OFF BUTTON		1				
073	231433-0	COMPRESSION SPRING 4		1		100		
074	183G65-0	HANDLE SET		1				
C10	263005-3	RUBBER PIN 6		4		100		
D10		INC. 60						
075	265995-6	TAPPING SCREW 4X18		8		100		
076	853B40-7	DRS780 NAME PLATE		1				
077	812G25-2	INDICATION LABEL		1				
A01	B-09416	T.C.T.SAW BLADE 185X30X20T		1				
A02	782016-4	OFFSET WRENCH 13		1				
A03	286042-0	CAP 31		1				

Please order the parts with part number.

Print Date 24/10/2019