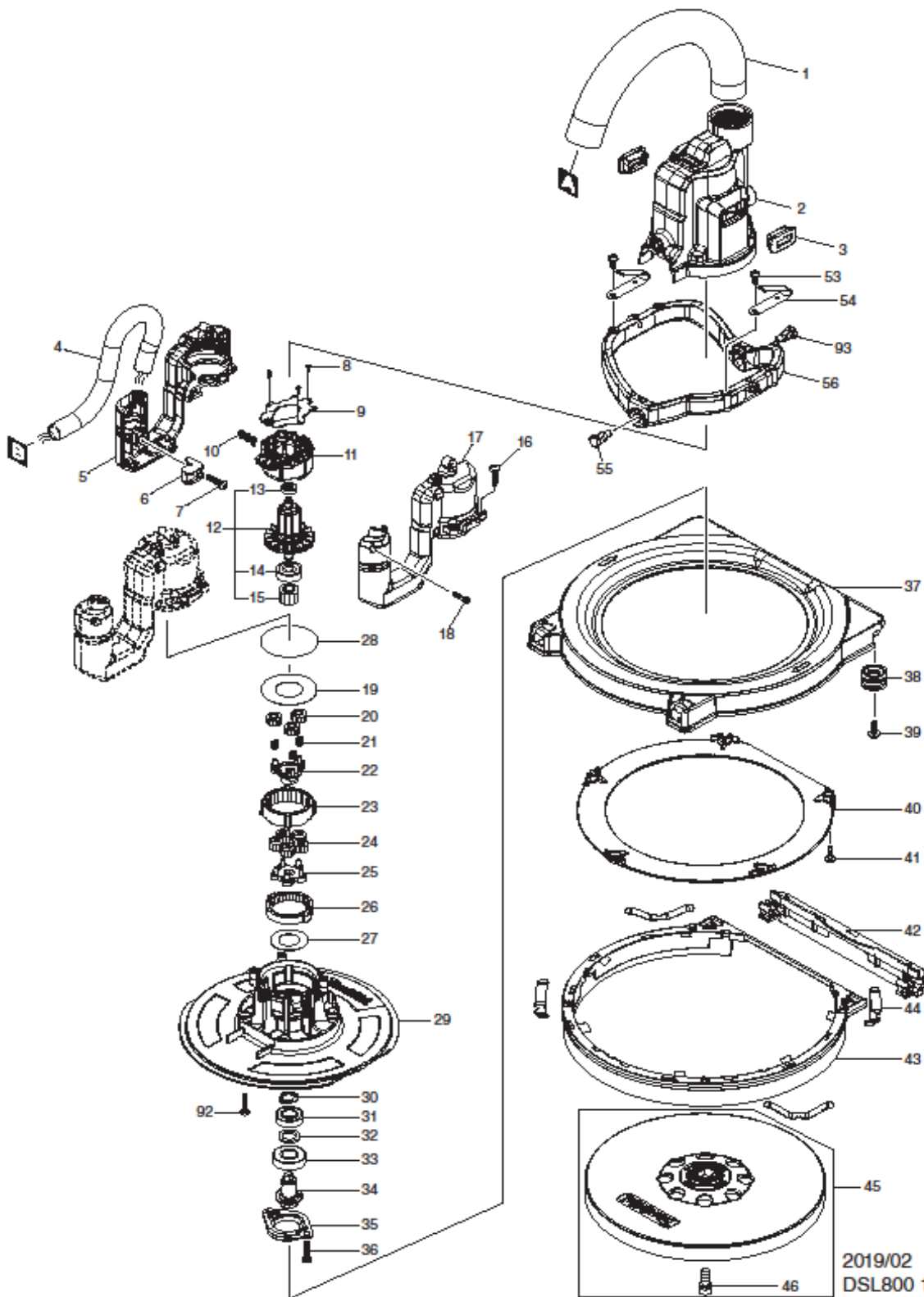


pos.no	part.no	description	used qty	pc/set
1	245058-4	HOSE 28-0.25	1	PC.
2	459217-6	HEAD COVER	1	PC.
3	422446-4	RUBBER CAP	2	PC.
4	699129-3	POWER SUPPLY CORD UNIT	1	PC.
5	183L77-3	MOTOR HOUSING SET	1	SET
5	D10	INC. 17	0	
6	687261-5	STRAIN RELIEF	1	PC.
7	265995-6	TAPPING SCREW 4X18	1	PC.
8	266490-9	TAPPING SCREW PT 2X6	3	PC.
9	620B02-8	CONTROLLER B	1	
10	652069-6	FLAT HEAD SCREW M3X6	3	PC.
11	629409-3	STATOR	1	PC.
12	519567-2	ROTOR ASSY	1	PC.
12	D10	INC. 13-15	0	
13	210039-7	BALL BEARING 695DDW	1	PC.
14	210023-2	BALL BEARING 627DDW	1	PC.
15	226888-2	SPUR GEAR 19	1	
16	265995-6	TAPPING SCREW 4X18	4	PC.
17	183L77-3	MOTOR HOUSING SET	1	SET
17	D10	INC. 5	0	
18	266429-2	TAPPING SCREW 3X16	6	PC.
19	253437-2	FLAT WASHER 23	1	PC.
20	226886-6	SPUR GEAR 14	3	
21	212131-5	NEEDLE CAGE 307	3	PC.
22	140J82-1	SPUR GEAR 17 COMPLETE	1	
23	226890-5	INTERNAL GEAR 47	1	
24	226885-8	SPUR GEAR 13	5	
25	140J81-3	CARRIER COMPLETE	1	
26	226889-0	INTERNAL GEAR 43	1	
27	267789-5	FLAT WASHER 18	1	PC.
28	213606-7	O RING 48	1	PC.
29	459216-8	GEAR HOUSING	1	PC.
30	961052-5	RETAINING RING S-12	1	PC.
31	211150-8	BALL BEARING 6901ZZ	1	PC.
32	253746-9	FLAT WASHER 12	1	PC.
33	210105-0	BALL BEARING 6001LLU	1	PC.
34	327318-7	SPINDLE	1	
35	319823-8	BEARING RETAINER 47	1	
36	265995-6	TAPPING SCREW 4X18	2	PC.
37	459218-4	COVER	1	PC.
38	140L62-9	BEARING COVER COMPLETE	2	PC.
39	266901-4	TAPPING SCREW 4X14	2	PC.
40	459219-2	BRUSH STOPPER	1	PC.
41	266020-6	TAPPING SCREW 4X12	5	PC.
42	140J86-3	BRUSH B COMPLETE	1	PC.
43	140J85-5	BRUSH A COMPLETE	1	PC.
44	232510-1	LEAF SPRING	4	PC.

45		199939-3	PAD 210 SET	1	PC.
45	D10		INC. 46	0	
46		922323-5	HEX.SOCKET HEAD BOLT M6X16	1	PC.
47		459223-1	HOSE CONNECTOR	1	PC.
48		213304-3	O RING 20	1	PC.
49		459222-3	JOINT	1	PC.
50		213393-8	O RING 23	1	PC.
51		140N60-5	PIPE A COMPLETE	1	PC.
51	D10		INC. 68	0	
52		183L76-5	ARM SET	1	PC.
52	D10		INC. 57	0	
53		911113-1	PAN HEAD SCREW M4X10 WITH WR	2	PC.
54		232534-7	LEAF SPRING	2	PC.
55		265A35-6	HEX. BOLT M8X17	1	
56		319808-4	FRAME	1	
57		183L76-5	ARM SET	1	PC.
57	D10		INC. 52	0	
58		262561-0	SLEEVE 6	2	PC.
59		911334-5	PAN HEAD SCREW M6X20	2	PC.
60		265995-6	TAPPING SCREW 4X18	4	PC.
61		183L78-1	PIPE HOUSING SET	1	SET
61	D10		INC. 65	0	
62		459226-5	LOCK RING	1	PC.
63		140J84-7	LOCK SLEEVE COMPLETE	1	PC.
64		140L61-1	PIPE B COMPLETE	1	PC.
64	C10	459225-7	PIPE STOPPER B	1	PC.
65		183L78-1	PIPE HOUSING SET	1	SET
65	D10		INC. 61	0	
66		265995-6	TAPPING SCREW 4X18	4	PC.
67		266050-7	TAPPING SCREW 4X30	3	PC.
68		459224-9	PIPE STOPPER A	1	PC.
69		459228-1	CORD HOLDER	1	PC.
70		913106-4	SET SCREW M4X8	1	PC.
71		140J83-9	INDICATOR PANEL COMPLETE	1	PC.
72		183L75-7	HANDLE SET	1	SET
72	C10	263005-3	RUBBER PIN 6	2	PC.
72	D10		INC. 88	0	
73		346248-3	CLAMP 24	1	PC.
74		265995-6	TAPPING SCREW 4X18	1	PC.
75		459234-6	DUST NOZZLE	1	
76		459229-9	CORD COVER	1	PC.
77		265995-6	TAPPING SCREW 4X18	2	PC.
78		620796-3	DIAL CIRCUIT	1	PC.
79		459230-4	LOCK OFF BUTTON	1	PC.
80		231433-0	COMPRESSION SPRING 4	1	PC.
81		419705-5	LOCK ON BUTTON	1	PC.
82		651083-9	SWITCH C3XA-1PSPM	1	PC.
83		459231-2	SWITCH LEVER	1	PC.

84		231433-0	COMPRESSION SPRING 4	1	PC.
85		620B01-0	CONTROLLER	1	
86		644809-6	TERMINAL	1	PC.
87		855W07-7	DSL800 SERIAL NO. LABEL	1	
88		183L75-7	HANDLE SET	1	SET
88	C10	263005-3	RUBBER PIN 6	2	PC.
88	D10		INC. 72	0	
89		140F99-0	CAP COMPLETE	1	PC.
89	C10	213218-6	O RING 16	1	PC.
89	C20	818H07-8	CAP LABEL	1	PC.
90		855W00-1	DSL800 NAME PLATE	1	
91		265995-6	TAPPING SCREW 4X18	10	PC.
92		265995-6	TAPPING SCREW 4X18	4	PC.
93		265A68-1	HEX. BOLT M8X22	1	PC.
A01		B-68404	ABRASIVE PAPER DISC 225-120	1	PC.
A02		783217-7	HEX. WRENCH 5	1	PC.
A03		195638-5	TOOL BAG SET	1	PC.
A04		835B53-0	INNER TRAY	1	
A05		198900-7	WIRELESS UNIT SET	1	PC.



2019/02
 DSL800 1/2

