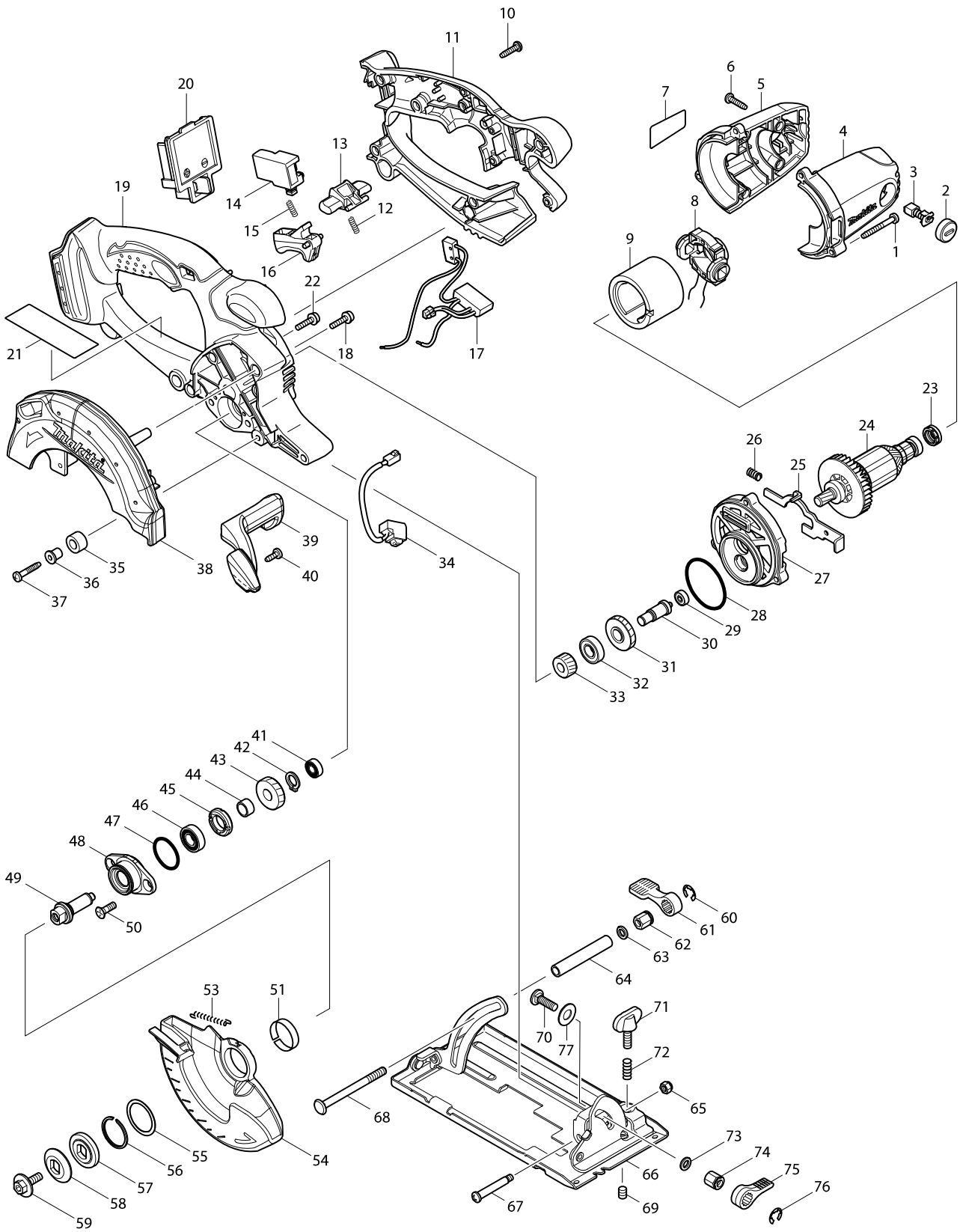


Model No. DSS501 CORDLESS CIRCULAR SAW 136MM



Model No. DSS501 CORDLESS CIRCULAR SAW 136MM

Item	Parts No.	Description	I/C	QTY	N/O	Opt. 1	Opt. 2	NOTE
001	266053-1	TAPPING SCREW 4X35		3	100			
002	643807-7	BRUSH HOLDER CAP		2	100			
003	191971-3	CARBON BRUSH CB-430		1	100			
004	188209-5	HOUSING SET		1	100			
D10		INC. 5						
005	188209-5	HOUSING SET		1	100			
D10		INC. 4						
006	265995-6	TAPPING SCREW 4X18		4	100			
007	815T90-8	DSS501 NAME PLATE		1				
008	638925-4	ENDBELL COMPLETE		1	100			
009	638420-4	YOKE UNIT		1	100			
010	265995-6	TAPPING SCREW 4X18		7	100			
011	453426-9	HANDLE L		1	100			
012	231469-9	COMPRESSION SPRING 4		1	100			
013	419664-3	LOCK OFF LEVER		1	100			
014	651956-6	SWITCH TG72BD		1	100			
015	231469-9	COMPRESSION SPRING 4		1	100			
016	419665-1	SWITCH LEVER		1	100			
018	911133-5	PAN HEAD SCREW M4X18		1	100			
019	453154-6	HANDLE R		1				
020	644808-8	TERMINAL		1	100			
022	911133-5	PAN HEAD SCREW M4X18		3	100			
023	421977-0	RUBBER RING 13		1	100			
024	619202-3	ARMATURE		1	151			
025	345643-4	SHAFT LOCK		1	100			
026	233117-6	COMPRESSION SPRING 6		1	100			
027	419656-2	GEAR HOUSING		1	100			
028	213560-5	O RING 44		1	100			
029	210036-3	BALL BEARING 604ZZ		1	100			
030	324729-7	GEAR SHAFT		1	100			
031	226643-2	HELICAL GEAR 35		1	100			
032	210080-0	BALL BEARING 6900ZZ		1	100			
033	226635-1	HELICAL GEAR 15		1	100			
034	631550-0	LED CIRCUIT		1	100			
035	262566-0	RUBBER SLEEVE 6		1	100			
036	262563-6	SLEEVE 4		1	100			
037	265999-8	TAPPING SCREW 4X25		1	100			
038	318152-6	BLADE CASE		1	100			
039	419935-8	BLOWER NOZZLE		1	100			
040	266026-4	TAPPING SCREW BIND CT 4X12		1	100			
041	210006-2	BALL BEARING 696ZZ		1	100			
042	961006-2	RETAINING RING S-10		1	100			
043	226640-8	HELICAL GEAR 23		1	100			
044	257760-7	SLEEVE 10		1	100			
045	285847-5	BEARING RETAINER 14-23		1	100			
046	210069-8	BALL BEARING 6900DDW		1	100			
047	213435-8	O RING 26		1	100			
048	318087-1	BEARING BOX		1	100			

Model No. DSS501 CORDLESS CIRCULAR SAW 136MM

Item	Parts No.	Description	I/C	QTY	N/O	Opt. 1	Opt. 2	NOTE
049	324730-2	SPINDLE		1	100			
050	265034-2	+ COUNTERSUNK HEAD SCREW M5X1		2	100			
051	345470-9	THICKNESS RING		1	100			
053	231835-0	TENSION SPRING 4		1	100			
054	419933-2	SAFETY COVER		1	100			
055	267127-1	FLAT WASHER 26		1	100			
056	257938-2	RETAINING RING(EXT) WR-26		1	100			
057	224391-7	INNER FLANGE 30		1	100			
058	224404-4	OUTER FLANGE 30		1	100			
059	266458-5	HEX.SOCKET HEX.BOLT M6X18		1	100			
060	961014-3	STOP RING E-8		1	100			
061	272229-0	LEVER 40		1	100			
062	252159-1	HEX. NUT M6		1	100			
063	941151-9	FLAT WASHER 6		1	100			
064	331733-9	PIPE 6		1	100			
065	252103-8	HEX. LOCK NUT M5-8		1	100			
066	158252-8	BASE COMPLETE		1	100			
067	265056-2	+ PAN HEAD SCREW M5		1	100			
068	266405-6	FLAT H.SQUARE NECK BOLT M6X75		1	100			
069	266225-8	H.S.SET SCREW(FLAT POINT)M6X8		1	100			
070	251919-8	CAP SQUARE NECK BOLT M6X20		1	100			
071	251896-4	SCREW M5X20		1	100			
072	231007-7	COMPRESSION SPRING 6		1	100			
073	941151-9	FLAT WASHER 6		1	100			
074	252133-9	HEX. NUT M6		1	100			
075	272251-7	LEVER 30		1	100			
076	961014-3	STOP RING E-8		1	100			
077	267231-6	FLAT WASHER 9		1	100			
078	620260-4	CONTROLLER		1				
A01	164095-8	GUIDE RULE		1				
A02	194415-2	DUST NOZZLE SET		1				
C10	911128-8	P.H.SCREW M4X16 WITH WR		1	100			
A03G	***DC18RC	DC18RC FAST CHARGER		1				
A03I	***DC18RC	DC18RC FAST CHARGER		1				
A03M	***DC18RC	DC18RC FAST CHARGER		1				
A04G	194204-5	BATTERY BL1830 SET		2	*			
A04I	194204-5	BATTERY BL1830 SET		2	*			
A04-1G	194204-5	BATTERY BL1830 SET	O	2	*			
A04-1I	194204-5	BATTERY BL1830 SET	O	2	*			
A04-1M	196399-0	BATTERY BL1840 SET		2	*			
A04-2G	197600-6	BATTERY BL1830B SET	<	2				
A04-2I	197600-6	BATTERY BL1830B SET	<	2				
A04-2M	197265-4	BATTERY BL1840B SET	<	2				
A05	783203-8	HEX. WRENCH 5		1				
A06G	141485-2	PLASTIC CASE COMPLETE		1				
C10	163455-1	LATCH		2				
C20	419360-3	HANDLE		1	100			
A06I	821551-8	CONNECTOR PLASTIC CASE (TYPE3)		1				

