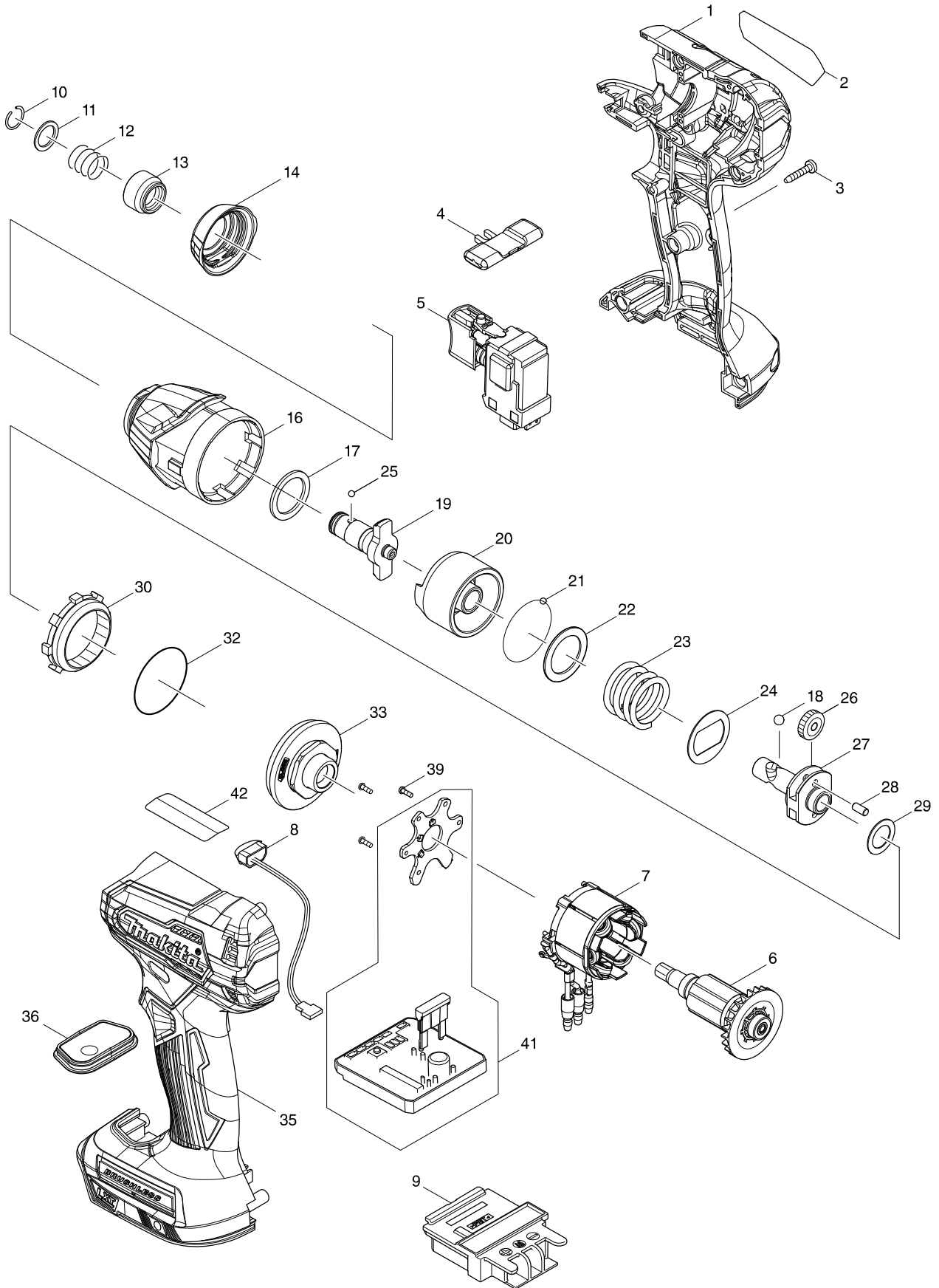


Model No. DTD155 CORDLESS IMPACT DRIVER



Model No. DTD155 CORDLESS IMPACT DRIVER

Item	Parts No.	Description	I/C	QTY	N/O	Opt. 1	Opt. 2	NOTE
C10	252126-6	HEX. LOCKING NUT M4-7		2		100		
D10		INC. 35						
001C	183G71-5	HOUSING SET		1				
001D	183G72-3	HOUSING SET		1				
002	853G07-5	DTD155 NAME PLATE		1				
003	266429-2	TAPPING SCREW 3X16		9		100		
004	455053-8	F/R CHANGE LEVER		1				
005	143975-1	SWITCH COMPLETE		1				
006	619415-6	ROTOR		1				
007	629233-4	STATOR		1				
008	620521-2	LED CIRCUIT		1				
009	643860-3	TERMINAL		1		100		
010	231965-7	RING SPRING 10		1		100		
011	267143-3	FLAT WASHER 11		1		100		
012	233005-7	COMPRESSION SPRING 13		1		100		
013	326803-7	BIT SLEEVE		1				
014	424914-3	BUMPER		1				
016	144132-4	HAMMER CASE COMPLETE		1				
017	261159-0	NYLON WASHER 19		1				
018	216002-8	STEEL BALL 4.8		2		100		
019	326630-2	ANVIL M		1				
020	324894-2	HAMMER		1				
021	216019-1	STEEL BALL 3		24		100		
022	267380-9	FLAT WASHER 20		1		100		
023	232326-4	COMPRESSION SPRING 21		1				
024	267813-4	WASHER 21		1		100		
025	216019-1	STEEL BALL 3		2		100		
026	221437-0	SPUR GEAR 17		2				
027	324897-6	SPINDLE		1		100		
028	268217-3	PIN 3.5		2		100		
029	253052-2	FLAT WASHER 12		1		100		
030	227316-0	INTERNAL GEAR 43		1		100		
032	213479-8	O RING 33		1		100		
033	141893-7	BEARING BOX COMPLETE		1		100		
C10	252126-6	HEX. LOCKING NUT M4-7		2		100		
D10		INC. 1						
035C	183G71-5	HOUSING SET		1				
035D	183G72-3	HOUSING SET		1				
036	144137-4	SWITCH PLATE COMPLETE		1				
039	266490-9	TAPPING SCREW PT 2X6		3				
041	620586-4	CONTROLLER		1				
A01	266622-8	+ TRUSS HEAD SCREW M4X12		1		100		
A02	346317-0	HOOK		1				