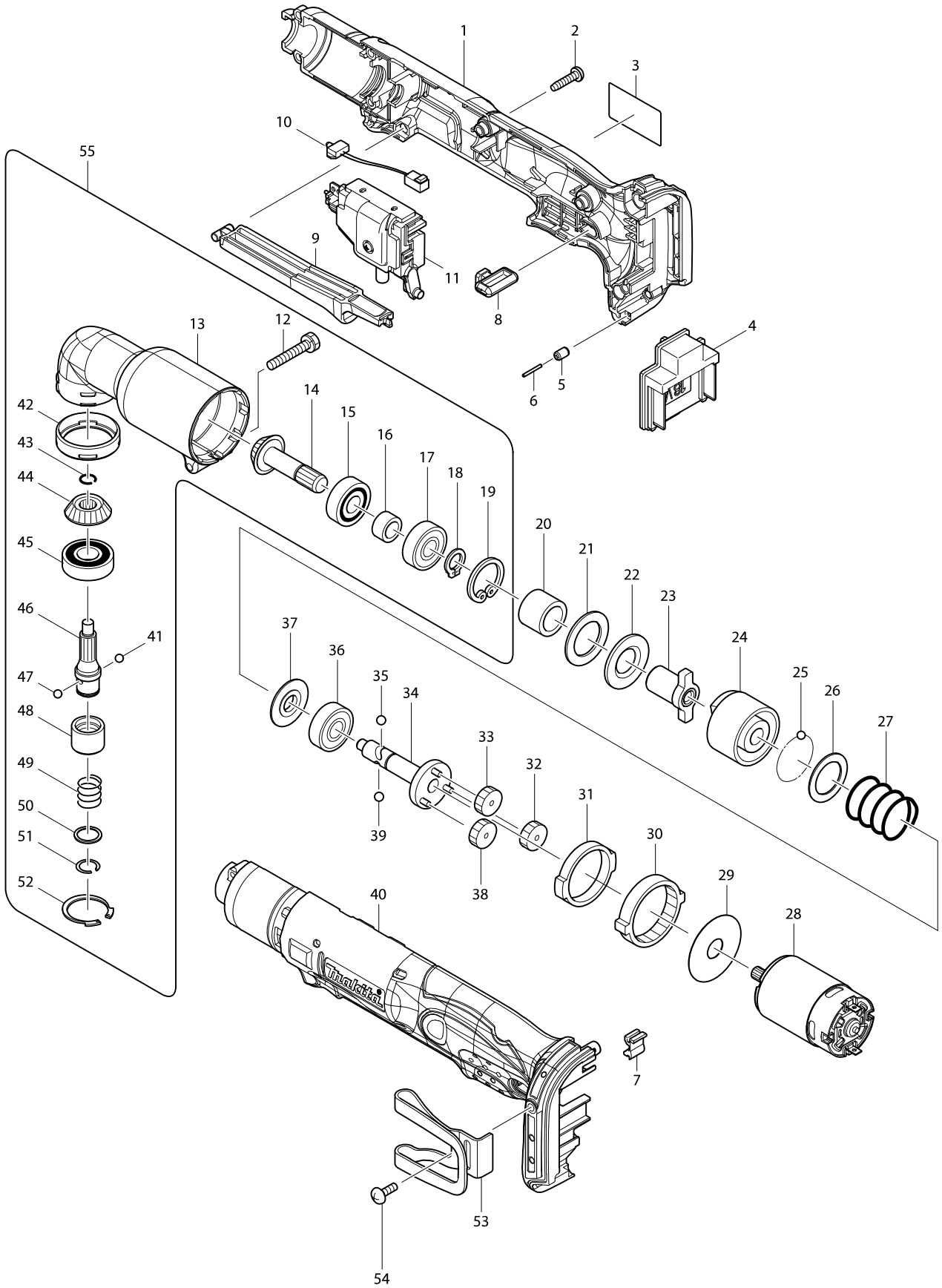


Model No. DTL061 CORDLESS ANGLE IMPACT DRIVER



Model No. DTL061 CORDLESS ANGLE IMPACT DRIVER

Item	Parts No.	Description	I/C	QTY	N/O	Opt. 1	Opt. 2	NOTE
001	187502-4	HOUSING SET		1	100			
C10	263005-3	RUBBER PIN 6		2	100			
D10		INC. 40						
002	265995-6	TAPPING SCREW 4X18		8	100			
003	815M16-8	DTL061 NAME PLATE		1	100			
004	643852-2	TERMINAL		1	100			
005	263036-2	RUBBER PIN 5		1	100			
006	268184-2	PIN 1.5		1	100			
007	424026-2	CUSHION		1	100			
008	450126-2	FR CHANGE LEVER		1	100			
009	450125-4	SWITCH LEVER		1	100			
010	631778-0	LED CIRCUIT		1	100			
011	638884-2	SWITCH UNIT		1	100			
012	265409-5	+ HEX. BOLT M5X30		1	100			
013	152461-1	ANGLE HEAD COMPLETE		1				
014	226720-0	ZEROL BEVEL GEAR 13		1	100			
015	211064-1	BALL BEARING 6000		1	100			
016	257660-1	SLEEVE 10		1				
017	211061-7	BALL BEARING 6000LLB		1	100			
018	961006-2	RETAINING RING S-10		1	100			
019	962105-3	RETAINING RING R-26		1	100			
020	257662-7	SLEEVE 15		1				
021	261095-0	RUBBER WASHER 21		1	100			
022	267120-5	FLAT WASHER 15		1	100			
023	322689-7	ANVIL		1				
024	322688-9	HAMMER		1				
025	216001-0	STEEL BALL 3.5		22	100			
026	267121-3	FLAT WASHER 20		1	100			
027	233107-9	COMPRESSION SPRING 22		1	100			
028	629966-1	DC MOTOR		1	100			
029	267053-4	FLAT WASHER 12		1	100			
030	226280-2	INTERNAL GEAR 69		1	100			
031	257187-1	RING 32		1	100			
032	226279-7	SPUR GEAR 29		1	100			
033	226279-7	SPUR GEAR 29		1	100			
034	154416-2	SPINDLE COMPLETE		1	100			
035	216002-8	STEEL BALL 4.8		1	100			
036	211064-1	BALL BEARING 6000		1	100			
037	322719-4	WASHER 10		1	100			
038	226279-7	SPUR GEAR 29		1	100			
039	216002-8	STEEL BALL 4.8		1	100			
040	187502-4	HOUSING SET		1	100			
C10	263005-3	RUBBER PIN 6		2	100			
D10		INC. 1						
041	216001-0	STEEL BALL 3.5		1	100			
042	424044-0	RUBBER RING 32		1	100			
043	231990-8	RING SPRING 9		1				
044	226721-8	ZEROL BEVEL GEAR 13		1	100			

Model No. DTL061 CORDLESS ANGLE IMPACT DRIVER

Item	Parts No.	Description	I/C	QTY	N/O	Opt. 1	Opt. 2	NOTE
045	211131-2	BALL BEARING 6001DDW		1		100		
046	323920-4	SPINDLE M		1		100		
047	216001-0	STEEL BALL 3.5		1		100		
048	322718-6	SLEEVE		1		100		
049	233005-7	COMPRESSION SPRING 13		1		100		
050	267085-1	FLAT WASHER 12		1		100		
051	231951-8	RING SPRING 11		1		100		
052	962116-8	RETAINING RING R-28		1		100		
053	346317-0	HOOK		1				
054	251314-2	+ SCREW M4X12		1		100		
055	135183-8	ANGLE HEAD ASS'Y		1				
D10		INC. 12-19,41-52						
A01C	***DC18RC	DC18RC FAST CHARGER		1				
A01D	***DC18RC	DC18RC FAST CHARGER		1				
A01F	***DC18RC	DC18RC FAST CHARGER		1				
A02C	194204-5	BATTERY BL1830 SET		2	*			
A02D	194204-5	BATTERY BL1830 SET		2	*			
A02-1C	194204-5	BATTERY BL1830 SET	O	2	*			
A02-1D	194204-5	BATTERY BL1830 SET	O	2	*			
A02-1F	196399-0	BATTERY BL1840 SET		2	*			
A02-2C	197600-6	BATTERY BL1830B SET	<	2				
A02-2D	197600-6	BATTERY BL1830B SET	<	2				
A02-2F	197265-4	BATTERY BL1840B SET	<	2				
A03C	450128-8	BATTERY COVER		1				
A03D	450128-8	BATTERY COVER		2				
A03F	450128-8	BATTERY COVER		2				
A04C	141493-3	PLASTIC CARRYING CASE		1				
C10	163455-1	LATCH		2				
C20	419360-3	HANDLE		1		100		
A04D	821550-0	CONNECTOR PLASTIC CASE (TYPE2)		1				
C10	453974-8	LATCH		4		100		
A04E	821550-0	CONNECTOR PLASTIC CASE (TYPE2)		1				
C10	453974-8	LATCH		4		100		
A04F	821550-0	CONNECTOR PLASTIC CASE (TYPE2)		1				
C10	453974-8	LATCH		4		100		
A05C	803M04-7	DTL061RFE MODEL NO. LABEL		1		100		
A05D	837644-1	INNER TRAY		1				
A05E	837644-1	INNER TRAY		1				
A05F	837644-1	INNER TRAY		1				
A07D	803L97-8	DTL061RFJ INDICATION LABEL		1		100		
A07E	803L98-6	DTL061ZJ INDICATION LABEL		1		100		
A07F	804E78-3	DTL061RMJ INDICATION LABEL		1				
A08D	803M00-5	DTL061RFJ PLASTIC CASE LABEL		2		100		
A08E	803M01-3	DTL061ZJ PLASTIC CASE LABEL		2		100		
A08F	804E79-1	DTL061RMJ PLASTIC CASE LABEL		2				