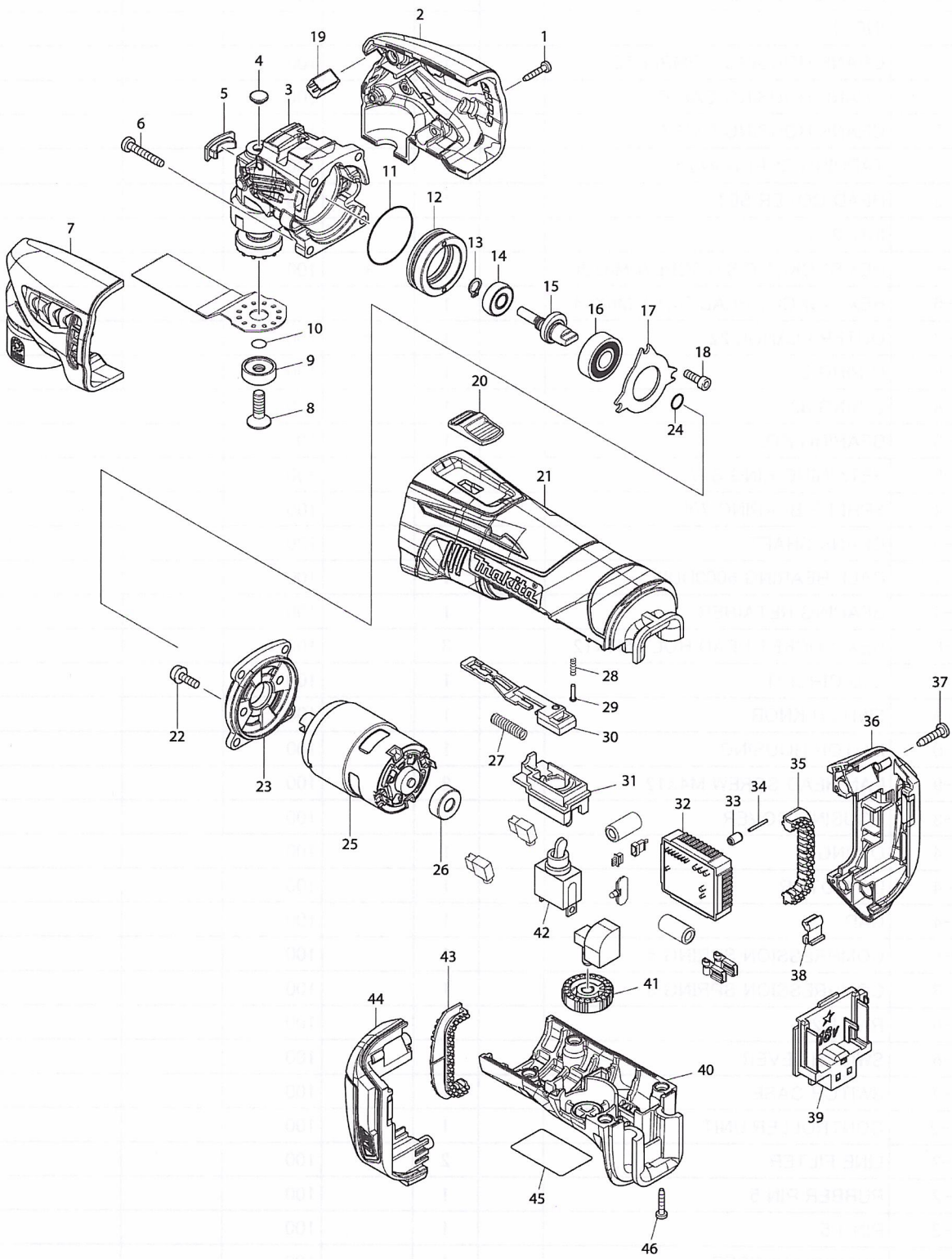


Model No.DTM50 CORDLESS MULTI TOOL



Model No.DTM50 CORDLESS MULTI TOOL

Item	Parts No.	Description	I/C	QTY	New/Old	Opt. 1	Opt. 2	NOTE
001	266429-2	TAPPING SCREW 3X16		4		100		
002	187346-2	HEAD COVER SET		1		100		
D10		INC. 7						
003	142400-9	CRANK HOUSING COMPLETE		1		100		
004	424511-5	CRANK HOUSING CAP B		1		100		
005	424510-7	CRANK HOUSING CAP A		1		100		
006	266374-1	TAPPING SCREW 4X25		4		100		
007	187346-2	HEAD COVER SET		1		100		
D10		INC. 2						
008	266783-4	HEX.SOCKET C.S.H.SCREW M6X20		1	*	100		
008-1	265674-6	HEX. SOKCET HEAD BOLT M6X14	S	1				
009	224455-7	OUTER FLANGE 22		1	*	100		
010	213021-5	O RING 5		1	*	100		
011	213479-8	O RING 33		1		100		
012	326187-3	BEARING BOX		1		100		
013	961003-8	RETAINING RING S-7		1		100		
014	211392-4	SPHERE BEARING 706		1		100		
015	326186-5	CRANK SHAFT		1		100		
016	210059-1	BALL BEARING 6000DDW		1		100		
017	285856-4	BEARING RETAINER		1		100		
018	922117-8	HEX. SOCKET HEAD BOLT M4X12		3		100		
019	620146-2	LED CIRCUIT		1		100		
020	453761-5	SWITCH KNOB		1		100		
021	453755-0	MOTOR HOUSING		1		100		
022	911516-9	PAN HEAD SCREW M4X12		2		100		
023	453762-3	HOUSING COVER		1		100		
024	213030-4	O RING 8		1		100		
025	629956-4	DC MOTOR		1		100		
026	424520-4	CAP		1		100		
027	234263-8	COMPRESSION SPRING 5		1		100		
028	233002-3	COMPRESSION SPRING 3		1		100		
029	255058-6	RIVET 2		1		100		
030	453757-6	SWITCH LEVER		1		100		
031	453760-7	SWITCH CASE		1		100		
032	632A01-2	CONTROLLER UNIT		1		100		
C10	688161-2	LINE FILTER		2		100		
033	263036-2	RUBBER PIN 5		1		100		
034	268184-2	PIN 1.5		1		100		
035	424473-7	CUSHION RUBBER		1		100		
036	187610-1	BATTERY HOUSING SET		1		100		
C10	263005-3	RUBBER PIN 6		2		100		
D10		INC. 44						
037	266326-2	TAPPING SCREW 4X18		2		100		
038	424476-1	CUSHION		1		100		
039	643852-2	TERMINAL		1		100		

Model No.DTM50 CORDLESS MULTI TOOL

Item	Parts No.	Description	I/C	QTY	New/Old	Opt. 1	Opt. 2	NOTE
040	453756-8	HANDLE COVER		1		100		
041	271617-8	DIAL 28		1		100		
042	651423-1	SWITCH		1		100		
043	424473-7	CUSHION RUBBER		1		100		
044	187610-1	BATTERY HOUSING SET		1		100		
C10	263005-3	RUBBER PIN 6		2		100		
D10		INC. 36						
045	815M77-8	DTM50 NAME PLATE		1				
046	266429-2	TAPPING SCREW 3X16		4		100		
A01	783233-9	HEX. WRENCH 5		1		100		
A02B	***DC18RC	DC18RC FAST CHARGER		1				
A02C	***DC18RC	DC18RC FAST CHARGER		1				
A02D	***DC18RC	DC18RC FAST CHARGER		1				
A02F	***DC18RC	DC18RC FAST CHARGER		1				
A02G	***DC18RC	DC18RC FAST CHARGER		1				
A02H	***DC18RC	DC18RC FAST CHARGER		1				
A02I	***DC18RC	DC18RC FAST CHARGER		1				
A03B	194204-5	BATTERY BL1830 SET		1	*			
A03C	194204-5	BATTERY BL1830 SET		1	*			
A03D	194204-5	BATTERY BL1830 SET		2	*			
A03F	194204-5	BATTERY BL1830 SET		1	*			
A03G	194204-5	BATTERY BL1830 SET		1	*			
A03-1B	194204-5	BATTERY BL1830 SET	O	1	*			
A03-1C	194204-5	BATTERY BL1830 SET	O	1	*			
A03-1D	194204-5	BATTERY BL1830 SET	O	2	*			
A03-1F	194204-5	BATTERY BL1830 SET	O	1	*			
A03-1G	194204-5	BATTERY BL1830 SET	O	1	*			
A03-1H	196399-0	BATTERY BL1840 SET		1	*			
A03-1I	196399-0	BATTERY BL1840 SET		1	*			
A03-2B	197600-6	BATTERY BL1830B SET	<	1	*			
A03-2C	197600-6	BATTERY BL1830B SET	<	1	*			
A03-2D	197600-6	BATTERY BL1830B SET	<	2	*			
A03-2F	197600-6	BATTERY BL1830B SET	<	1	*			
A03-2G	197600-6	BATTERY BL1830B SET	<	1	*			
A03-2H	197265-4	BATTERY BL1840B SET	<	1	*			
A03-2I	197265-4	BATTERY BL1840B SET	<	1	*			
A03-3B	197600-6	BATTERY BL1830B SET	O	1				
A03-3C	197600-6	BATTERY BL1830B SET	O	1				
A03-3D	197600-6	BATTERY BL1830B SET	O	2				
A03-3F	197600-6	BATTERY BL1830B SET	O	1				
A03-3G	197600-6	BATTERY BL1830B SET	O	1				
A03-3H	197265-4	BATTERY BL1840B SET	O	1				
A03-3I	197265-4	BATTERY BL1840B SET	O	1				
A04D	450128-8	BATTERY COVER		1				
A05B	141562-0	PLASTIC CASE COMPLETE		1				

Please order the parts with part number.

Print Date 22/10/2019

Model No.DTM50 CORDLESS MULTI TOOL

Item	Parts No.	Description	I/C	QTY	New/Old	Opt. 1	Opt. 2	NOTE
C10	162302-3	LATCH		2		100		
C20	324319-6	SHAFT		1				
C30	451749-9	HANDLE		1				
A05C	141562-0	PLASTIC CASE COMPLETE		1				
C10	162302-3	LATCH		2		100		
C20	324319-6	SHAFT		1				
C30	451749-9	HANDLE		1				
A05D	821551-8	CONNECTOR PLASTIC CASE (TYPE3)		1				
C10	453974-8	LATCH		4		100		
A05E	821551-8	CONNECTOR PLASTIC CASE (TYPE3)		1				
C10	453974-8	LATCH		4		100		
A05F	821551-8	CONNECTOR PLASTIC CASE (TYPE3)		1				
C10	453974-8	LATCH		4		100		
A05G	821551-8	CONNECTOR PLASTIC CASE (TYPE3)		1				
C10	453974-8	LATCH		4		100		
A05H	821551-8	CONNECTOR PLASTIC CASE (TYPE3)		1				
C10	453974-8	LATCH		4		100		
A05I	821551-8	CONNECTOR PLASTIC CASE (TYPE3)		1				
C10	453974-8	LATCH		4		100		
A06B	803P55-8	DTM50RFX1 PLASTIC CASE LABEL		2				
A06C	803P56-6	DTM50RFX3 PLASTIC CASE LABEL		2				
A06D	837671-8	INNER TRAY		1				
A06E	837671-8	INNER TRAY		1				
A06F	837671-8	INNER TRAY		1				
A06G	837671-8	INNER TRAY		1				
A06H	837671-8	INNER TRAY		1				
A06I	837671-8	INNER TRAY		1				
A07B	195965-0	DUST ATTACHMENT SET		1	*			
A07C	195965-0	DUST ATTACHMENT SET		1	*			
A07D	803P59-0	DTM50RFJ PLASTIC CASE LABEL		2				
A07E	803P58-2	DTM50ZJ PLASTIC CASE LABEL		2				
A07F	803P69-7	DTM50RF1J1 PLASTIC CASE LABEL		2				
A07G	803P70-2	DTM50RF1J3 PLASTIC CASE LABEL		2				
A07H	805W45-9	DTM50RM1J1 PLASTIC CASE LABEL		2				
A07I	805W47-5	DTM50RM1J3 PLASTIC CASE LABEL		2				
A07-1B	199621-4	DUST ATTACHMENT SET	<	1				
C10	422362-0	FELT RING 47		1				
C20	459362-7	SPACER		1				
A07-1C	199621-4	DUST ATTACHMENT SET	<	1				
C10	422362-0	FELT RING 47		1				
C20	459362-7	SPACER		1				

Please order the parts with part number.

Print Date 22/10/2019

Model No.DTM50 CORDLESS MULTI TOOL

Item	Parts No.	Description	I/C	QTY	New/Old	Opt. 1	Opt. 2	NOTE
A08B	196272-4	ADAPTER A SET		1	*			
A08C	196272-4	ADAPTER A SET		1	*			
A08D	803P76-0	DTM50RFJ INDICATION LABEL		1				
A08E	803P75-2	DTM50ZJ INDICATION LABEL		1				
A08F	803P86-7	DTM50RF1J1 INDICATION LABEL		1				
A08G	803P87-5	DTM50RF1J3 INDICATION LABEL		1				
A08H	805W46-7	DTM50RM1J1 INDICATION LABEL		1				
A08I	805W48-3	DTM50RM1J3 INDICATION LABEL		1				
A08-1B	196271-6	ADAPTER A SET	<	1	*			
A08-1C	196271-6	ADAPTER A SET	<	1	*			
A09B	B-21325	SEGMENT SAW BLADE 85 TMA006		1	*			
A09C	B-21294	ROUND SAW BLADE 85 TMA003		1	*			
A09D	454247-2	PIN 4		4				
A09E	454247-2	PIN 4		4				
A09F	454247-2	PIN 4		4				
A09G	454247-2	PIN 4		4				
A09H	454247-2	PIN 4		4				
A09I	454247-2	PIN 4		4				
A09-1B	B-64799	STARLOCK SEGMENTSAW 85 TMA045	O	1				
A09-1C	B-64973	STARLOCK SEGMENTSAW 85 TMA064	O	1	*			
A10B	B-21624	ABRASIVEPAPER DELTA RED 60		1				
A10C	B-21325	SEGMENT SAW BLADE 85 TMA006		1	*			
A10D	821538-0	TOOL BOX		1				
A10E	821538-0	TOOL BOX		1				
A10F	195965-0	DUST ATTACHMENT SET		1	*			
A10G	195965-0	DUST ATTACHMENT SET		1	*			
A10H	195965-0	DUST ATTACHMENT SET		1	*			
A10I	195965-0	DUST ATTACHMENT SET		1	*			
A10-1C	B-64799	STARLOCK SEGMENTSAW 85 TMA045	O	1				
A10-1F	199621-4	DUST ATTACHMENT SET	<	1				
C10	422362-0	FELT RING 47		1				
C20	459362-7	SPACER		1				
A10-1G	199621-4	DUST ATTACHMENT SET	<	1				
C10	422362-0	FELT RING 47		1				
C20	459362-7	SPACER		1				
A10-1H	199621-4	DUST ATTACHMENT SET	<	1				
C10	422362-0	FELT RING 47		1				
C20	459362-7	SPACER		1				
A10-1I	199621-4	DUST ATTACHMENT SET	<	1				
C10	422362-0	FELT RING 47		1				
C20	459362-7	SPACER		1				
A11B	B-21652	ABRASIVEPAPER DELTA RED 180		1				
A11C	B-21369	PLUNGE CUT SAW BLADE 32 TMA010		1	*			
A11F	196272-4	ADAPTER A SET		1	*			

Please order the parts with part number.

Print Date 22/10/2019

Model No.DTM50 CORDLESS MULTI TOOL

Item	Parts No.	Description	I/C	QTY	New/Old	Opt. 1	Opt. 2	NOTE
A11G	196272-4	ADAPTER A SET		1	*			
A11H	196272-4	ADAPTER A SET		1	*			
A11I	196272-4	ADAPTER A SET		1	*			
A11-1C	B-64870	STARLOCK CUTSAW 32 TMA053 BIM	O	1				
A11-1F	196271-6	ADAPTER A SET	<	1	*			
A11-1G	196271-6	ADAPTER A SET	<	1	*			
A11-1H	196271-6	ADAPTER A SET	<	1	*			
A11-1I	196271-6	ADAPTER A SET	<	1	*			
A12B	B-21630	ABRASIVEPAPER DELTA RED 80		1				
A12C	B-21412	PLUNGE CUT SAW BLADE 32 TMA015		1	*			
A12F	B-21325	SEGMENT SAW BLADE 85 TMA006		1	*			
A12G	B-21294	ROUND SAW BLADE 85 TMA003		1	*			
A12H	B-21325	SEGMENT SAW BLADE 85 TMA006		1	*			
A12I	B-21294	ROUND SAW BLADE 85 TMA003		1	*			
A12-1C	B-64939	STARLOCK CUTSAW 32 TMA059 BIM	O	1				
A12-1F	B-64799	STARLOCK SEGMENTSAW 85 TMA045	O	1				
A12-1G	B-64973	STARLOCK SEGMENTSAW 85 TMA064	O	1	*			
A12-1H	B-64799	STARLOCK SEGMENTSAW 85 TMA045	O	1				
A12-1I	B-64973	STARLOCK SEGMENTSAW 85 TMA064	O	1	*			
A13B	B-21646	ABRASIVEPAPER DELTA RED 120		1				
A13C	B-21440	SCRAPER 52 RIGID TMA018		1	*			
A13F	B-21624	ABRASIVEPAPER DELTA RED 60		1				
A13G	B-21325	SEGMENT SAW BLADE 85 TMA006		1	*			
A13H	B-21624	ABRASIVEPAPER DELTA RED 60		1				
A13I	B-21325	SEGMENT SAW BLADE 85 TMA006		1	*			
A13-1C	B-64989	STARLOCK SCRAPER RIGID TMA065	O	1	*			
A13-1G	B-64799	STARLOCK SEGMENTSAW 85 TMA045	O	1				
A13-1I	B-64799	STARLOCK SEGMENTSAW 85 TMA045	O	1				
A14B	B-21537	SANDING PAD		1	*			
A14C	B-21456	SCRAPER 52 FLEXIBLE TMA019		1	*			
A14F	B-21652	ABRASIVEPAPER DELTA RED 180		1				
A14G	B-21369	PLUNGE CUT SAW BLADE 32 TMA010		1	*			
A14H	B-21652	ABRASIVEPAPER DELTA RED 180		1				
A14I	B-21369	PLUNGE CUT SAW BLADE 32 TMA010		1	*			
A14-1B	B-46202	SANDING PAD	<	1	*			
A14-1C	B-64995	STARLOCK SCRAPERFLEXIBLE TMA66	O	1				
A14-1G	B-64870	STARLOCK CUTSAW 32 TMA053 BIM	O	1				
A14-1I	B-64870	STARLOCK CUTSAW 32 TMA053 BIM	O	1				
A14-2B	B-65115	STARLOCK SANDING PAD 94 TMA078	O	1				

Please order the parts with part number.

Print Date 22/10/2019

Model No.DTM50 CORDLESS MULTI TOOL

Item	Parts No.	Description	I/C	QTY	New/Old	Opt. 1	Opt. 2	NOTE
A15B	821538-0	TOOL BOX		1				
A15C	B-21509	HM SEG SAW BLADE 65 TMA024		1	*			
A15F	B-21630	ABRASIVEPAPER DELTA RED 80		1				
A15G	B-21412	PLUNGE CUT SAW BLADE 32 TMA015		1	*			
A15H	B-21630	ABRASIVEPAPER DELTA RED 80		1				
A15I	B-21412	PLUNGE CUT SAW BLADE 32 TMA015		1	*			
A15-1C	B-65040	STARLOCK SEGMENTSAW 70 TMA071	O	1				
A15-1G	B-64939	STARLOCK CUTSAW 32 TMA059 BIM	O	1				
A15-1I	B-64939	STARLOCK CUTSAW 32 TMA059 BIM	O	1				
A16C	B-21515	HM SANDING PLATE 78 TMA025		1	*			
A16F	B-21646	ABRASIVEPAPER DELTA RED 120		1				
A16G	B-21440	SCRAPER 52 RIGID TMA018		1	*			
A16H	B-21646	ABRASIVEPAPER DELTA RED 120		1				
A16I	B-21440	SCRAPER 52 RIGID TMA018		1	*			
A16-1C	B-65062	STARLOCK SANDINGPLATE 78 TMA73	O	1				
A16-1G	B-64989	STARLOCK SCRAPER RIGID TMA065	O	1	*			
A16-1I	B-64989	STARLOCK SCRAPER RIGID TMA065	O	1	*			
A17C	B-21624	ABRASIVEPAPER DELTA RED 60		1				
A17F	B-21537	SANDING PAD		1	*			
A17G	B-21456	SCRAPER 52 FLEXIBLE TMA019		1	*			
A17H	B-21537	SANDING PAD		1	*			
A17I	B-21456	SCRAPER 52 FLEXIBLE TMA019		1	*			
A17-1F	B-46202	SANDING PAD	<	1	*			
A17-1G	B-64995	STARLOCK SCRAPERFLEXIBLE TMA66	O	1				
A17-1H	B-46202	SANDING PAD	<	1	*			
A17-1I	B-64995	STARLOCK SCRAPERFLEXIBLE TMA66	O	1				
A17-2F	B-65115	STARLOCK SANDING PAD 94 TMA078	O	1				
A17-2H	B-65115	STARLOCK SANDING PAD 94 TMA078	O	1				
A18C	B-21652	ABRASIVEPAPER DELTA RED 180		1				
A18F	821538-0	TOOL BOX		1				
A18G	B-21509	HM SEG SAW BLADE 65 TMA024		1	*			
A18H	821538-0	TOOL BOX		1				
A18I	B-21509	HM SEG SAW BLADE 65 TMA024		1	*			
A18-1G	B-65040	STARLOCK SEGMENTSAW 70 TMA071	O	1				
A18-1I	B-65040	STARLOCK SEGMENTSAW 70 TMA071	O	1				
A19C	B-21630	ABRASIVEPAPER DELTA RED 80		1				
A19G	B-21515	HM SANDING PLATE 78 TMA025		1	*			
A19I	B-21515	HM SANDING PLATE 78 TMA025		1	*			
A19-1G	B-65062	STARLOCK SANDINGPLATE 78 TMA73	O	1				