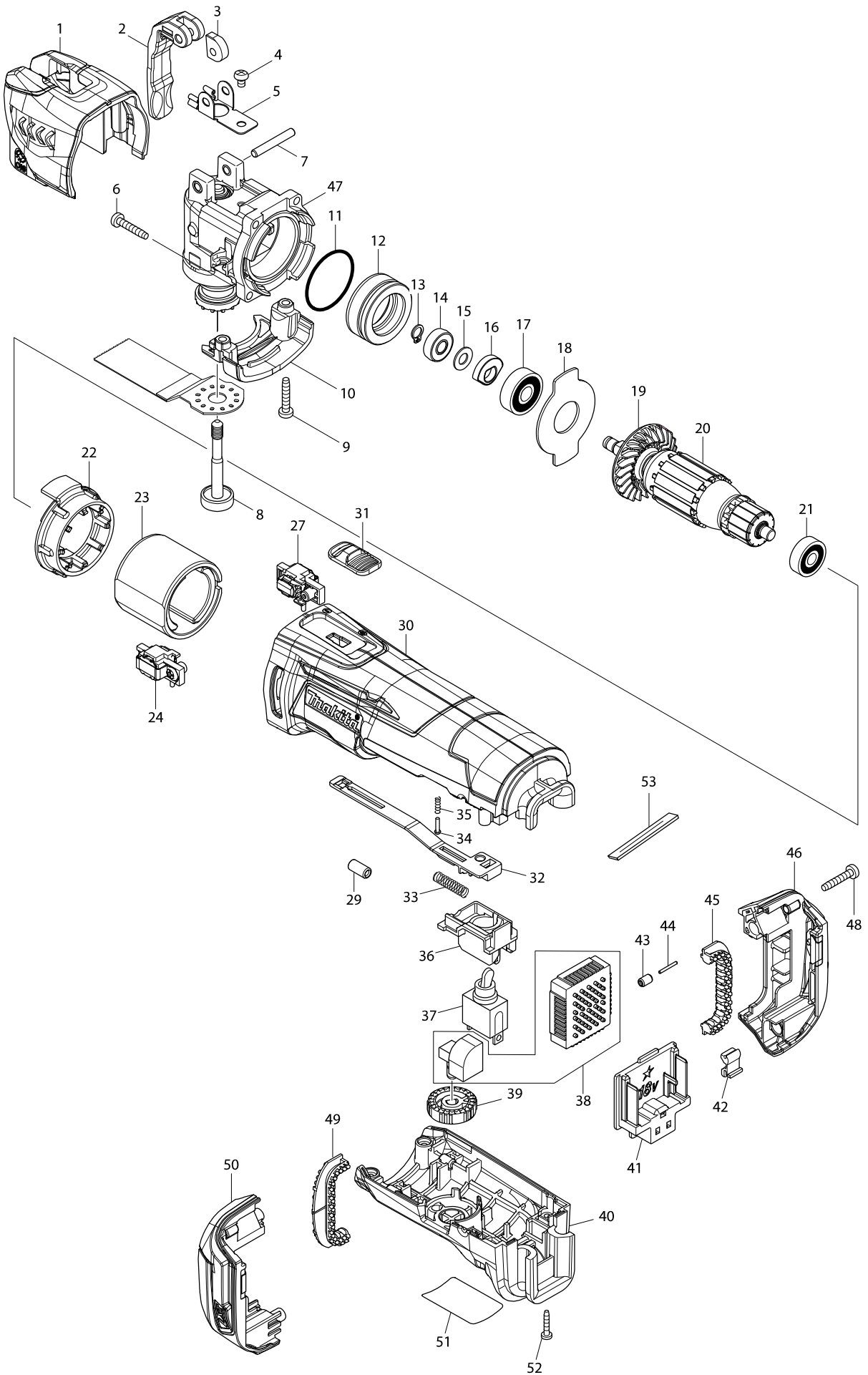


Model No. DTM51 CORDLESS MULTI TOOL



Model No. DTM51 CORDLESS MULTI TOOL

Item	Parts No.	Description	I/C	QTY	N/O	Opt. 1	Opt. 2	NOTE
001	455272-6	UPPER HEAD COVER		1				
002	319059-9	LEVER		1				
003	313268-2	TURN BLOCK		1				
004	911102-6	PAN HEAD SCREW M4X6		1				
005	232282-8	LEAF SPRING		1				
006	266424-2	TAPPING SCREW 4X20		4	100			
007	268306-4	PIN 5		1				
008	326409-1	HOLDER BOLT		1				
009	266424-2	TAPPING SCREW 4X20		2	100			
010	454635-3	LOWER HEAD COVER		1				
011	213343-3	O RING 35		1	100			
012	326347-7	BEARING BOX		1				
013	961003-8	RETAINING RING S-7		1	100			
014	211392-4	SPHERE BEARING 706		1	* 100			
014-1	210164-4	SPHERE BEARING 706	O	1				
015	253133-2	FLAT WASHER 7		1	100			
016	313245-4	BALANCER		1	100			
017	211092-6	BALL BEARING 629DDW		1	100			
018	285857-2	BEARING RETAINER		1	100			
019	240140-4	FAN 46		1	100			
020	519338-7	ARMATURE ASS'Y 18V		1				
D10		INC. 19,21						
021	210023-2	BALL BEARING 627DDW		1	100			
022	455017-2	BUFFLE PLATE		1				
023	632B69-4	YOKE UNIT		1				
024	632B88-0	BRUSH HOLDER COMPLETE		1				
027	632B89-8	BRUSH HOLDER COMPLETE		1				
029	688161-2	LINE FILTER		1	100			
030	455013-0	MOTOR HOUSING		1				
031	455016-4	SWITCH KNOB		1				
032	455015-6	SWITCH LEVER		1				
033	234263-8	COMPRESSION SPRING 5		1	100			
034	255058-6	RIVET 2		1	100			
035	233002-3	COMPRESSION SPRING 3		1	100			
036	455018-0	SWITCH CASE		1				
037	651423-1	SWITCH		1	100			
038	620270-1	CONTROLLER		1				
039	271617-8	DIAL 28		1	100			
040	142553-4	HANDLE COVER COMPLETE		1				
C10	263005-3	RUBBER PIN 6		3	100			
041	643852-2	TERMINAL		1	100			
042	424476-1	CUSHION		1	100			
043	263036-2	RUBBER PIN 5		1	100			
044	268184-2	PIN 1.5		1	100			
045	424473-7	CUSHION RUBBER		1	100			
046	187848-8	BATTERY HOUSING SET		1				
C10	263005-3	RUBBER PIN 6		2	100			
D10		INC. 50						

Model No. DTM51 CORDLESS MULTI TOOL

Item	Parts No.	Description	I/C	QTY	N/O	Opt. 1	Opt. 2	NOTE
047A	142502-1	CRANK HOUSING COMPLETE		1	*			
047-1A	143250-5	CRANK HOUSING COMPLETE	<	1				
047-1C	143250-5	CRANK HOUSING COMPLETE		1				
048	266424-2	TAPPING SCREW 4X20		2		100		
049	424473-7	CUSHION RUBBER		1		100		
050	187848-8	BATTERY HOUSING SET		1				
C10	263005-3	RUBBER PIN 6		2		100		
D10		INC. 46						
051	815M50-8	DTM51 NAME PLATE		1				
052	266429-2	TAPPING SCREW 3X16		4		100		
053	423404-3	SPONGE SHEET		1		100		
A01A	821551-8	CONNECTOR PLASTIC CASE (TYPE3)		1				
C10	453974-8	LATCH		4		100		
A02A	837671-8	INNER TRAY		1				
A03A	803N57-2	DTM51ZJX7 PLASTIC CASE LABEL		2				
A04A	803N56-4	DTM51ZJX7 INDICATION LABEL		1				
A05A	454247-2	PIN 4		4				
A06A	196765-1	DUST ATTACHMENT SET		1				
A07A	196272-4	ADAPTER A SET		1				
A08A	B-21325	SEGMENT SAW BLADE 85 TMA006		1				
A09A	B-21624	ABRASIVEPAPER DELTA RED 60		1				
A10A	B-21652	ABRASIVEPAPER DELTA RED 180		1				
A11A	B-21630	ABRASIVEPAPER DELTA RED 80		1				
A12A	B-21646	ABRASIVEPAPER DELTA RED 120		1				
A13A	B-21537	SANDING PAD		1				
A14A	142257-8	TOOL BOX COMPLETE		1	*			
C10	454652-3	LATCH		1	*			
A14-1A	143308-0	TOOL BOX COMPLETE WITH LABEL	O	1				
C10	454652-3	LATCH		1				