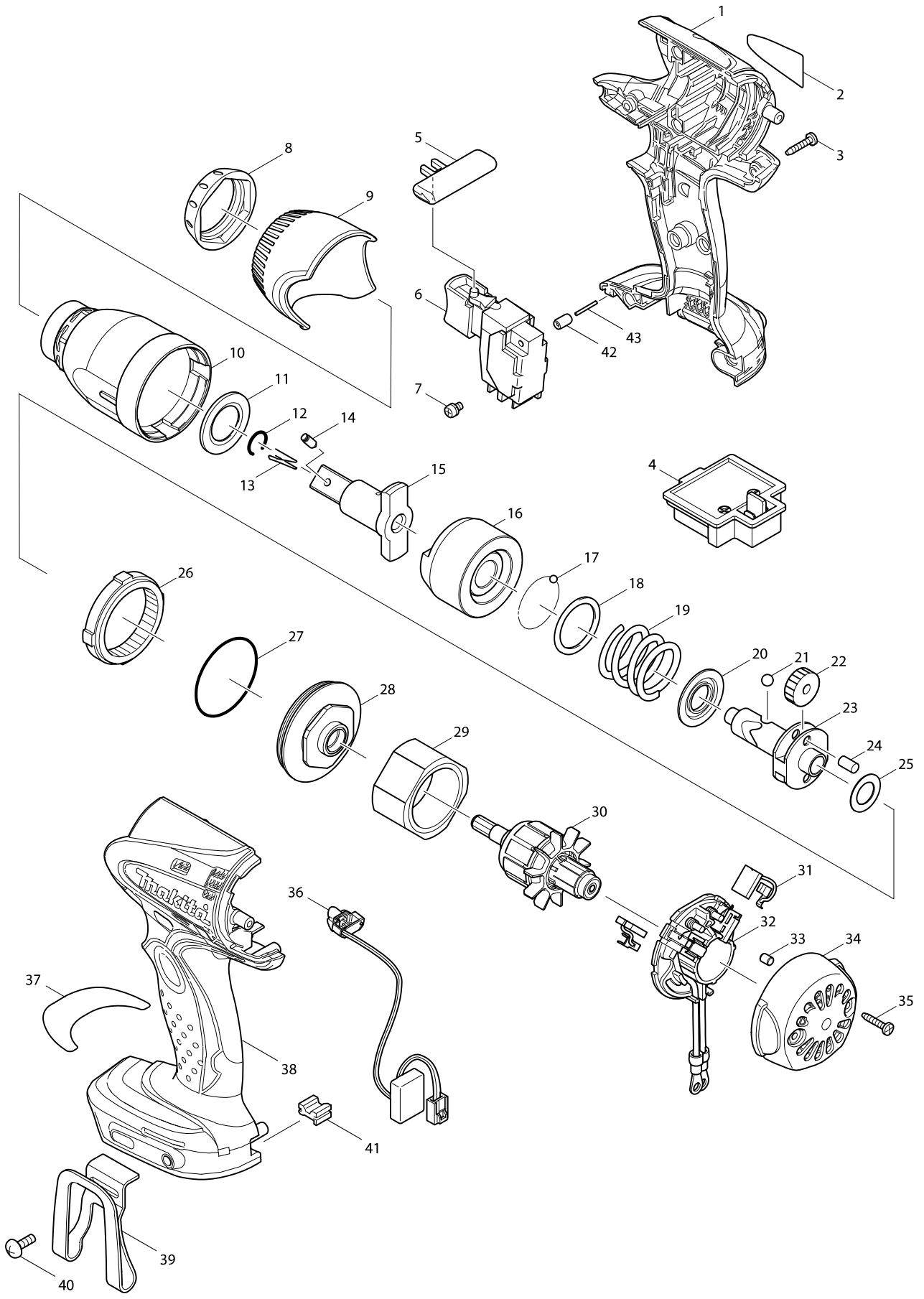


Model No. DTW251 CORDLESS IMPACT WRENCH



Model No. DTW251 CORDLESS IMPACT WRENCH

Item	Parts No.	Description	I/C	QTY	N/O	Opt. 1	Opt. 2	NOTE
001	188243-5	HOUSING SET		1		100		
C10	263005-3	RUBBER PIN 6		2		100		
D10		INC. 38						
002	815E48-7	DTW251 NAME PLATE		1				
003	266130-9	TAPPING SCREW BIND PT 3X16		8		100		
004	643852-2	TERMINAL		1		100		
005	419041-9	F/R CHANGE LEVER		1		100		
006	650652-3	SWITCH TG553FSB-1B		1		100		
007	652045-0	+PAN HEAD SCREW M3.5X5		2		100		
008	424375-7	BUMPER		1		100		
009	452439-7	HAMMER CASE COVER		1		100		
010	140171-2	HAMMER CASE COMPLETE		1		100		
011	261116-8	NYLON WASHER 18		1		100		
012	231907-1	RING SPRING 10		1		100		
015	324706-9	ANVIL		1		100		
016	324703-5	HAMMER		1		100		
017	216001-0	STEEL BALL 3.5		24		100		
018	267175-0	FLAT WASHER 24		1		100		
019	234337-5	COMPRESSION SPRING 25		1		100		
020	267766-7	CUP WASHER 14		1		100		
021	216011-7	STEEL BALL 5.6		2		100		
022	227233-4	SPUR GEAR 22		2		100		
023	324220-5	SPINDLE		1		100		
024	256253-1	PIN 5		2		100		
025	267212-0	FLAT WASHER 12		1		100		
026	227150-8	INTERNAL GEAR 51		1		100		
027	213507-9	O RING 40		1		100		
028	158145-9	BEARING BOX COMPLETE		1	*	100		
028-1	143035-9	BEARING BOX COMPLETE	O	1				
029	638495-3	YORK UNIT		1		100		
030	619253-6	ARMATURE		1	*	151		
030-1	619375-2	ARMATURE	<	1				
031	196854-2	CARBON BRUSH CB-448		1	*			
031-1	196854-2	CARBON BRUSH CB-448	S	1				
032	638853-3	BRUSH HOLDER COMPLETE		1	*	100		
032-1	632G50-5	BRUSH HOLDER COMPLETE	S	1				
C10	689181-9	SPACER		2		100		
D10		INC. 31						
033	263032-0	RUBBER PIN 4		2		100		
034	418981-8	REAR COVER		1		100		
035	266130-9	TAPPING SCREW BIND PT 3X16		2		100		
036	631693-8	LIGHT CIRCUIT		1		100		
038	188243-5	HOUSING SET		1		100		
C10	263005-3	RUBBER PIN 6		2		100		
D10		INC. 1						
039	346317-0	HOOK		1				
040	251314-2	+ SCREW M4X12		1		100		
041	424026-2	CUSHION		1	*	100		

Model No. DTW251 CORDLESS IMPACT WRENCH

Item	Parts No.	Description	I/C	QTY	N/O	Opt. 1	Opt. 2	NOTE
041-1	424476-1	CUSHION	O	1		100		
042	263036-2	RUBBER PIN 5		1		100		
043	268184-2	PIN 1.5		1		100		
A01G	***DC18RC	DC18RC FAST CHARGER		1				
A01H	***DC18RC	DC18RC FAST CHARGER		1				
A01J	***DC18RC	DC18RC FAST CHARGER		1				
A02G	194204-5	BATTERY BL1830 SET		2	*			
A02H	194204-5	BATTERY BL1830 SET		2	*			
A02J	196399-0	BATTERY BL1840 SET		2	*			
A02-1G	194204-5	BATTERY BL1830 SET	O	2	*			
A02-1H	194204-5	BATTERY BL1830 SET	O	2	*			
A02-1J	196399-0	BATTERY BL1840 SET	O	2	*			
A02-2G	197600-6	BATTERY BL1830B SET	<	2				
A02-2H	197600-6	BATTERY BL1830B SET	<	2				
A02-2J	197265-4	BATTERY BL1840B SET	<	2				
A03G	141205-4	PLASTIC CARRYING CASE		1				
C10	324207-7	SHAFT		1		100		
C20	413098-2	PLATE		4		100		
C30	417724-5	LATCH		2				
C40	419215-2	PLASTIC CASE LID		1		100		
C50	419216-0	HANDLE		1		100		
A03H	821550-0	CONNECTOR PLASTIC CASE (TYPE2)		1				
C10	453974-8	LATCH		4		100		
A03I	821550-0	CONNECTOR PLASTIC CASE (TYPE2)		1				
C10	453974-8	LATCH		4		100		
A03J	821550-0	CONNECTOR PLASTIC CASE (TYPE2)		1				
C10	453974-8	LATCH		4		100		
A04G	802V76-3	DTW251RFE PLASTIC CASE LABEL		1	*			
A04H	837670-0	INNER TRAY		1				
A04I	837670-0	INNER TRAY		1				
A04J	837670-0	INNER TRAY		1				
A04-1G	804M50-3	DTW251RFE MODEL NO. LABEL	<	1				
A05G	450128-8	BATTERY COVER		1				
A05H	450128-8	BATTERY COVER		1				
A05J	450128-8	BATTERY COVER		1				
A06H	802V72-1	DTW251RFJ INDICATION LABEL		1				
A06I	802V74-7	DTW251ZJ INDICATION LABEL		1				
A06J	802V85-2	DTW251RMJ INDICATION LABEL		1				
A07H	802V73-9	DTW251RFJ PLASTIC CASE LABEL		2	*			
A07I	802V75-5	DTW251ZJ PLASTIC CASE LABEL		2	*			
A07J	802V86-0	DTW251RMJ PLASTIC CASE LABEL		2	*			
A07-1H	805V38-0	DTW251RFJ PLASTIC CASE LABEL	<	2				
A07-1I	805V39-8	DTW251ZJ PLASTIC CASE LABEL	<	2				
A07-1J	805V40-3	DTW251RMJ PLASTIC CASE LABEL	<	2	*			
A07-2J	807W57-8	DTW251RMJ PLASTIC CASE LABEL	<	2				