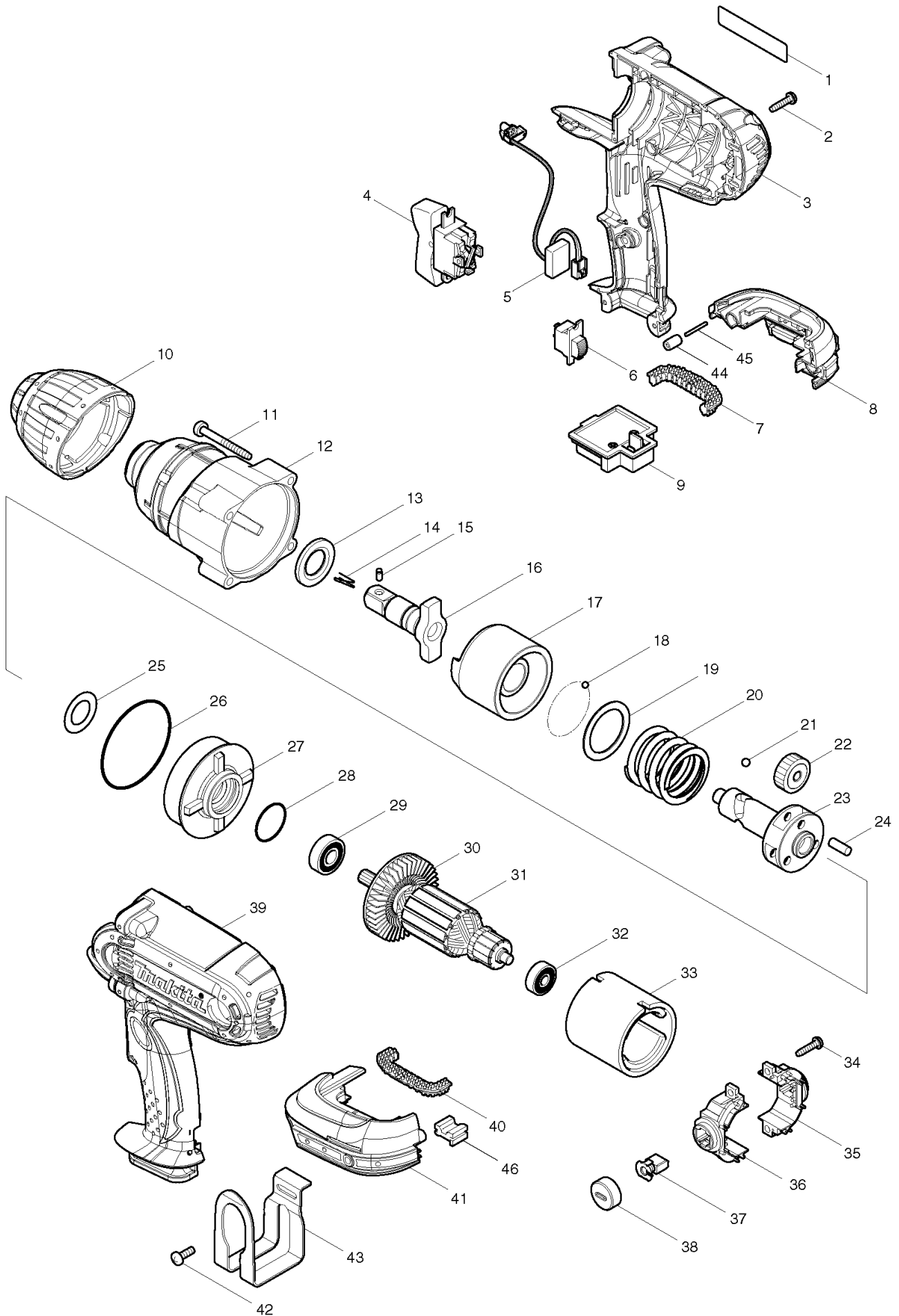


# Partdrawing for DTW450Z - 18V IMPACT WRENCH



No.	Part no.	Name
1	862955-5	NAME PLATE BTW450
10	421971-2	BUMPER BTW450
11	266056-5	*PT SCREW 5X45 9046 5PK
12	158076-2	HAMMER CASE COMP BTW450
13	267268-3	FLAT WASHER 19 TW200/250/350
14	231907-1	RING SPRING 10 6904/6931DW/691
16	324406-1	ANVIL TW0350/BTW450
17	324697-4	HAMMER BTW450
18	216008-6	*STEEL BALL 4 10PK
19	267340-1	FLAT WASHER 32 BTW450
2	265995-6	*PT SCREW 4X18 10PK KP0810C
20	233477-6	COMPRESSION SPRING 33 BTW450
21	216007-8	*STEEL BALL 6.4 10PK
22	227171-0	SPUR GEAR 23 BTW450
23	310185-7	SPINDLE BTW450
24	256033-5	*HARD ROLLER 6-15 4305 5PK
25	253794-8	BLUE NARROW WASHER 18 6905B
26	213722-5	O RING 63 BTW450
27	227172-8	INTERNAL GEAR 53 BTW450
28	213407-3	O RING 26 3901/4101RH
29	210059-1	BALL BEARING 60002RDCM HM1317C
3	188434-8	HOUSING SET BTW450
31	519199-5	ARMATURE ASSY 18V BTW450
32	210025-8	BALL BEARING 627LLB 4324
33	638107-8	YOKE UNIT BJR240/BTW450
34	265995-6	*PT SCREW 4X18 10PK KP0810C
35	638870-3	BRUSH HOLDER COMP BTW450
35	638870-3	BRUSH HOLDER COMP BTW450
36	643823-9	BRUSH HOLDER BTW450
37	194435-6	CARBON BRUSH CB-432
38	643941-3	HOLDER CAP 5621RD/LS800D/BSR73
39	188434-8	HOUSING SET BTW450
4	651572-4	SWITCH SL220SD-19 BTW450
40	424042-4	CUSHION RUBBER BTW450/BHR202
41	188453-4	BATTERY HOUSING SET BTW450/BHR
42	251314-2	SPECIAL PAN HD SCREW M4X12
43	345736-7	HOOK BTW450
44	263036-2	RUBBER PIN 5 BTW251/BHR202
45	268184-2	PIN 1.5 BTW251/BHR202
46	424026-2	CUSHION BST220/1/BTW251/BHR202
5	631738-2	LIGHT CIRCUIT BTW450
6	638503-0	SWITCH UNIT BTW450
7	424042-4	CUSHION RUBBER BTW450/BHR202
8	188453-4	BATTERY HOUSING SET BTW450/BHR
9	643812-4	TERMINAL BPB180/BUC122/BDF451