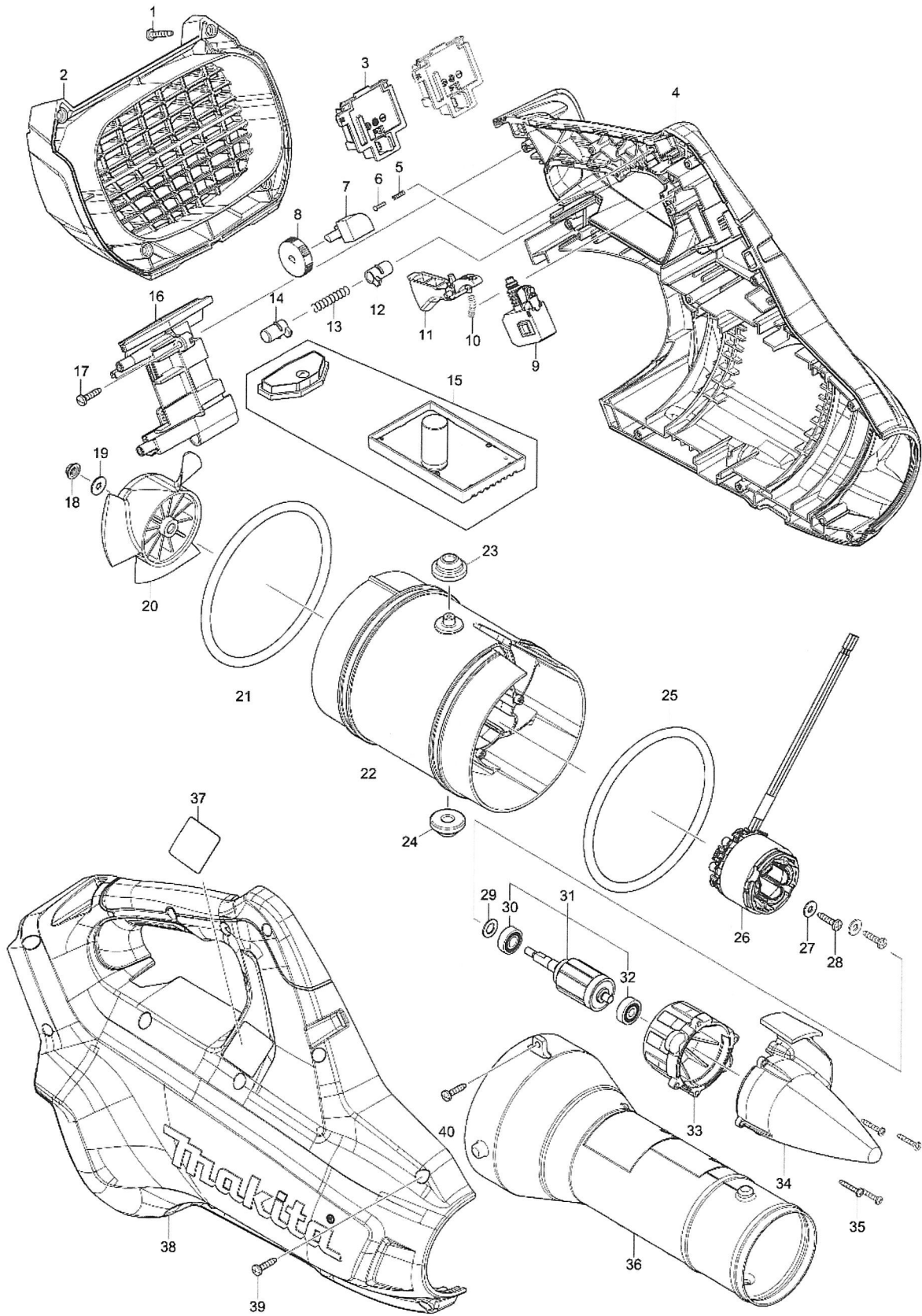


Model No.DUB362 CORDLESS BLOWER



POS. NO.	PARTS NO.	DESCRIPTION	USED QTY
001		266326-2 TAPPING SCREW 4X18	4
002		455912-6 REAR COVER	1
003		644808-8 TERMINAL	2
004		183A81-6 HOUSING SET	1
004	C10	263005-3 RUBBER PIN 6	2
004	C20	806D81-4 CAUTION LABEL	1
004	D10		INC. 38
005		233002-3 COMPRESSION SPRING 3	1
006		255058-6 RIVET 2	1
007		620415-1 SUB CONTROLLER	1
008		271427-3 DIAL 28	1
009		650709-0 SWITCH C3JW-1A-P	1
010		233101-1 COMPRESSION SPRING 4	1
011		455913-4 SWITCH LEVER	1
011-1		458864-0 SWITCH LEVER	1
012		418881-2 LOCK ON BUTTON	1
013		233092-6 COMPRESSION SPRING 5	1
014		418881-2 LOCK ON BUTTON	1
015		143166-4 CONTROLLER COMPLETE	1
016		143146-0 CENTER CASE COMPLETE	1
016	C10	263005-3 RUBBER PIN 6	2
017		266326-2 TAPPING SCREW 4X18	2
018		264111-7 CORNED DISK SPRING HEX.NUT M5	1
018-1		252103-8 HEX. LOCK NUT M5-8	1
018-2		252286-4 COLLARED HEX.LOCK NUT M5-8	1
019		253194-2 FLAT WASHER 5	1
020		240158-5 FAN 110	1
020-1		240177-1 FAN 110	1
021		424721-4 RUBBER RING 115	1
022		455907-9 MOTOR HOUSING	1
023		424194-1 RUBBER RING 8	1
024		424194-1 RUBBER RING 8	1
025		424721-4 RUBBER RING 115	1
026		629153-2 STATOR DC36V	1
027		253184-5 FLAT WASHER 5	2
028		266326-2 TAPPING SCREW 4X18	2
028-1		265620-9 TAPPING SCREW FLANGE 4X18	2
029		253835-0 FLAT WASHER 8	1
030		210040-2 BALL BEARING 698LLU	1
031		519366-2 ROTOR ASS'Y	1
031	D10		INC. 30,32
031-1		519444-8 ROTOR ASS'Y	1
031-1	D10		INC. 30,32
032		210022-4 BALL BEARING 626DDW	1
033		455908-7 MOTOR HOUSING COVER	1

034		455909-5	CAP	1
035		265935-4	TAPPING SCREW 3X20	4
036		455914-2	FRONT NOZZLE	1
037		850U44-4	DUB362 NAME PLATE	1
038		183A81-6	HOUSING SET	1
038	C10	263005-3	RUBBER PIN 6	2
038	C20	806D81-4	CAUTION LABEL	1
038	D10		INC. 4	
039		266326-2	TAPPING SCREW 4X18	12
040		266326-2	TAPPING SCREW 4X18	2
040-1		266300-0	TAPPING SCREW 4X18	2
040-2		265678-8	TAPPING SCREW 4X18	2
A01		166094-6	SHOULDER BELT	1
A02		455915-0	LONG NOZZLE	1
A07		456958-5	FLAT NOZZLE	1
E01		807811-2	SOUND 96DB LABEL	1