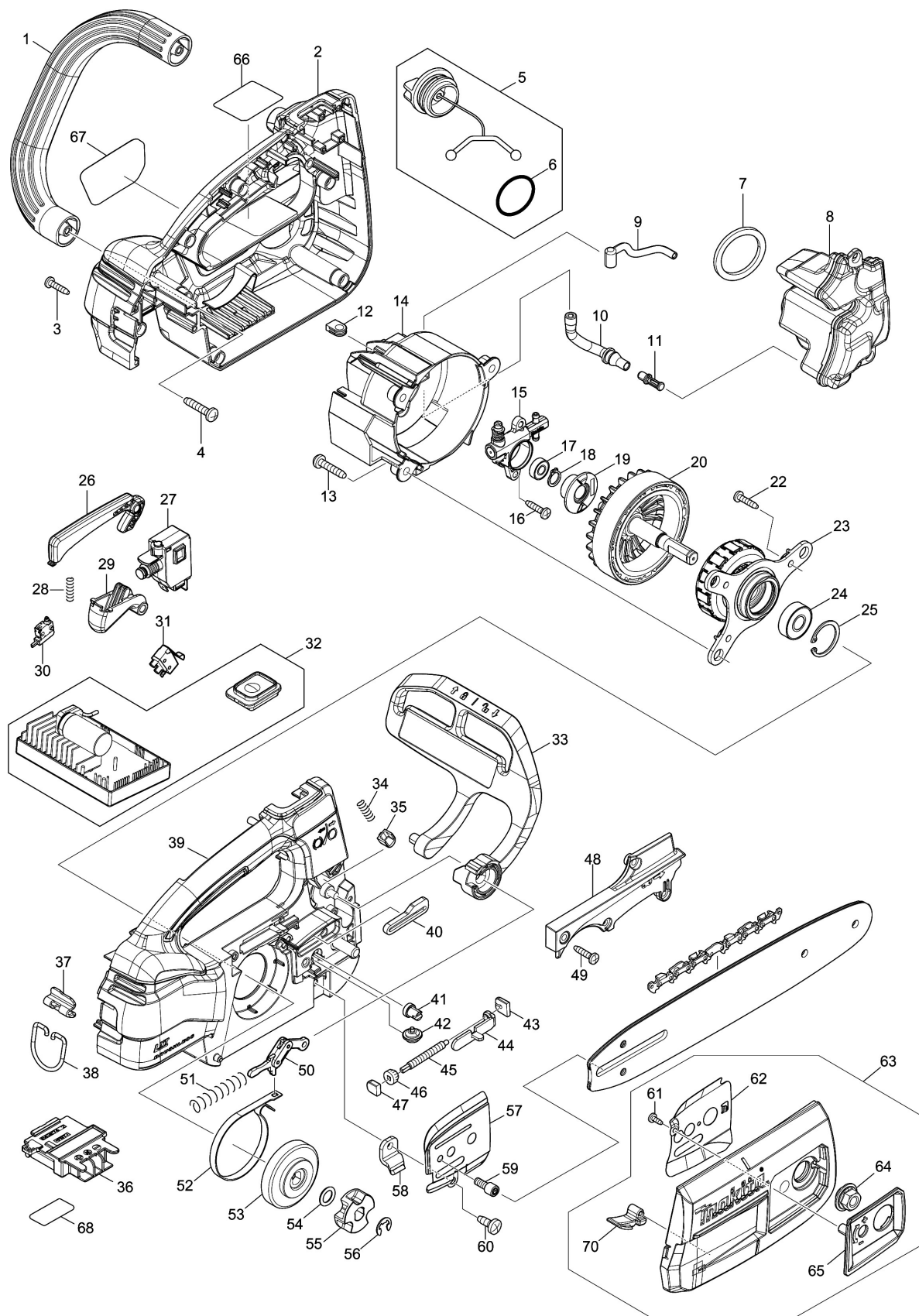


Model No.DUC254 250MM CORDLESS CHAIN SAW



Model No.DUC254 250MM CORDLESS CHAIN SAW

Item	Parts No.	Description	I/C	QTY	New/Old	Opt. 1	Opt. 2	NOTE
001	458490-5	SIDE HANDLE		1				
002	183J27-6	HOUSING SET		1				
C10	263005-3	RUBBER PIN 6		2		100		
D10		INC. 39						
003	266326-2	TAPPING SCREW 4X18		8		100		
004	266041-8	TAPPING SCREW 5X25		2		100		
005	168508-1	TANK CAP COMPLETE		1				
D10		INC. 6						
006	213355-6	O-RING 25		1				
007	421959-2	SPONGE SEAL		1		100		
008	140A75-4	OIL TANK COMPLETE		1				
009	422271-3	CONNECTOR A		1				
010	422272-1	CONNECTOR B		1				
011	450437-5	FILTER		1				
012	424612-9	GROMMET		1				
013	266041-8	TAPPING SCREW 5X25		3		100		
014	458489-0	MOTOR HOUSING		1				
015	142857-4	OIL PUMP COMPLETE		1				
016	266326-2	TAPPING SCREW 4X18		2		100		
017	210026-6	BALL BEARING 696ZZ		1		100		
018	961006-2	RETAINING RING S-10		1		100		
019	221428-1	WORM GEAR		1				
020	619518-6	ROTOR		1				
022	266326-2	TAPPING SCREW 4X18		3		100		
023	629378-8	STATOR COMPLETE		1				
024	210059-1	BALL BEARING 6000DDW		1		100		
025	962105-3	RETAINING RING R-26		1		100		
026	458497-1	CATCH LEVER		1				
027	651365-9	SWITCH C3JW-6BM-P		1				
028	233476-8	COMPRESSION SPRING 4		1		100		
029	458495-5	SWITCH LEVER		1				
030	632L49-0	SWITCH UNIT		1				
031	632L48-2	SWITCH UNIT		1				
032	140A76-2	CONTROLLER COMPLETE		1				
C10	810D46-0	SWITCH LABEL		1				
033	140A72-0	FRONT HAND GUARD COMPLETE		1				
C10	816U31-3	CAUTION LABEL		1				
034	232453-7	COMPRESSION SPRING 3		1				
035	310879-4	HAND GUARD GUIDE		1				
036	643874-2	TERMINAL		1				
037	347377-5	HOOK SUPPORT		1				
038	281222-3	HOOK		1				
039	183J27-6	HOUSING SET		1				
C10	263005-3	RUBBER PIN 6		2		100		
D10		INC. 2						

Please order the parts with part number.

Print Date 11/3/2019

Model No.DUC254 250MM CORDLESS CHAIN SAW

Item	Parts No.	Description	I/C	QTY	New/Old	Opt. 1	Opt. 2	NOTE
040	422270-5	GROMET		1				
041	227620-7	DRIVE GEAR		1				
042	227634-6	STRAIGHT BEVEL GEAR 14		1				
043	455241-7	CLAMP SCREW		1				
044	347376-7	TENSION SLIDE		1				
045	327120-8	ADJUST SCREW		1				
046	227496-2	STRAIGHT BEVEL GEAR 14		1		100		
047	455242-5	CLAMP SCREW		1				
048	458491-3	HOUSING R COVER		1				
049	266326-2	TAPPING SCREW 4X18		4		100		
050	140A74-6	LINK PLATE COMPLETE		1				
051	232452-9	COMPRESSION SPRING 7		1				
052	347372-5	BRAKE BAND		1				
053	161871-1	BRAKE DRUM COMPLETE		1				
054	213060-5	O RING 10		1				
055	199063-2	SPROCKET 6 SET		1				
056	961013-5	STOP RING E-7		1		100		
057	347374-1	GUIDE PLATE L		1				
058	347373-3	CHAIN CATCHER		1				
059	266905-6	H.L. SOCKET HEAD BOLT M5X12		1				
060	266388-0	TAPPING SCREW 5X16		1		100		
061	266007-8	TAPPING SCREW BIND PT 3X10		1		100		
062	347375-9	GUIDE PLATE R		1				
063	136010-2	SPROCKET COVER ASS'Y		1	*			
D10		INC. 61,62,64,65,70			*			
063-1	136010-2	SPROCKET COVER ASS'Y	<	1	*			
D10		INC. 61,62,64,65,70,71			*			
063-2	136036-4	SPROCKET COVER ASS'Y	<	1				
D10		INC. 61,62,64,65,70,71						
064	161870-3	FRANGE NUT COMPLETE		1	*			
064-1	162494-8	FLANGE NUT COMPLETE	<	1				
065	458499-7	NUT COVER		1				
066	854G31-1	DUC254 NAME PLATE		1				
067	816U21-6	DUC254 MODEL NO. LABEL		1				
068	854G38-7	DUC254 SERIAL NO. LABE		1				
070	422310-9	CHIP GUIDE		1				
071	458493-9	SPROCKET COVER		1				
A01	161846-0	GUIDE BAR 10		1				
A02	458501-6	GUIDE BAR CASE		1				
A03	199075-5	SAW CHAIN SET		1				
A04	782023-7	WRENCH 13-16		1				
A09	831304-7	ACCESSORY BAG		1				
A10	195093-1	CHAIN OIL SET		1				
E01	805011-8	SOUND 103DB LABEL		1				

Please order the parts with part number.

Print Date 11/3/2019