

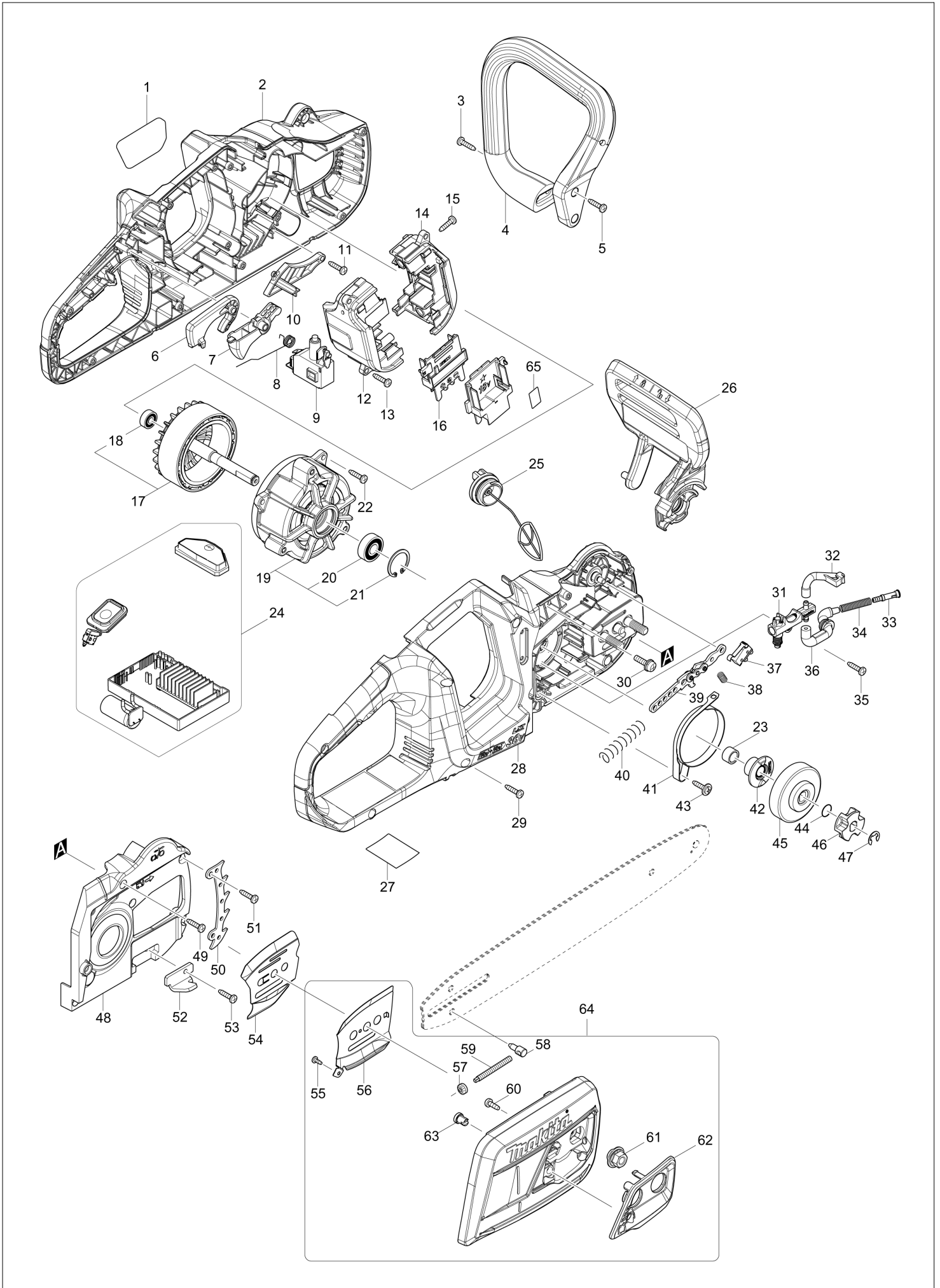
# Diagram / Parts List

**DUC405**

**400MM CORDLESS CHAIN SAW**



(GB) DUC405 / 400MM CORDLESS CHAIN SAW



## DUC405 / 400MM CORDLESS CHAIN SAW

Item	Sub	Parts No.	Parts Description	Qty	I/C	E/C No.	Close No.	Remark
001		818H95-5	DUC405 MODEL NO. LABEL	1				
002		183K81-6	HOUSING SET	1			C6730	
	C10	812D15-7	CAUTION LABEL	1			C6730	
	D10		INC. 28				C6730	
002-1		183K81-6	HOUSING SET	1	O	C6730		
	C10	812D15-7	CAUTION LABEL	1		C6730		
	D10		INC. 28			C6730		
003		266326-2	TAPPING SCREW 4X18	2				
004		457007-1	FRONT HANDLE	1				
005		266326-2	TAPPING SCREW 4X18	2				
006		457013-6	CATCH LEVER	1				
007		457006-3	SWITCH LEVER	1				
008		232318-3	TORSION SPRING 10	1				
009		650781-2	SWITCH C3JW-6B-P	1				
010		457010-2	HOUSING L COVER	1				
011		266326-2	TAPPING SCREW 4X18	1				
012		183F15-9	TERMINAL BOX SET	1				
	C10	263005-3	RUBBER PIN 6	4				
	D10		INC. 14					
013		266326-2	TAPPING SCREW 4X18	4				
014		183F15-9	TERMINAL BOX SET	1				
	C10	263005-3	RUBBER PIN 6	4				
	D10		INC. 12					
015		266326-2	TAPPING SCREW 4X18	2				
016		643874-2	TERMINAL	2				
017		519411-3	ROTOR ASS'Y	1				
	D10		INC. 18					
018		210028-2	BALL BEARING 606ZZ	1				
019		592H45-5	STATOR ASS'Y	1				
	D10		INC. 20,21					
020		210059-1	BALL BEARING 6000DDW	1				
021		962105-3	RETAINING RING R-26	1				
022		266326-2	TAPPING SCREW 4X18	3				
023		257402-3	SLEEVE 10	1				
024		144254-0	CONTROLLER COMPLETE	1				
025		168508-1	TANK CAP COMPLETE	1				
	C10	213355-6	O-RING 25	1				
026		458418-3	FRONT HAND GUARD	1				
027		855A27-9	DUC405 NAME PLATE	1				
028		183K81-6	HOUSING SET	1			C6730	
	C10	812D15-7	CAUTION LABEL	1			C6730	
	D10		INC. 2				C6730	
028-1		183K81-6	HOUSING SET	1	O	C6730		
	C10	812D15-7	CAUTION LABEL	1		C6730		
	D10		INC. 2			C6730		
029		266326-2	TAPPING SCREW 4X18	8				
030		911233-1	PAN HEAD SCREW M5X20	3				
031		142156-4	OIL PUMP COMPLETE	1				
032		424904-6	CONNECTOR B	1				
033		452666-6	NIPPLE	1				
034		234207-8	COMPRESSION SPRING 6	1				
035		266326-2	TAPPING SCREW 4X18	1				
036		424903-8	CONNECTOR A	1				
037		632H47-0	SWITCH UNIT	1				
038		231298-0	COMPRESSION SPRING 6	1				
039		163448-8	LINKPLATE COMPLETE	1				
040		232319-1	COMPRESSION SPRING 9	1				
041		345454-7	BRAKE BAND	1				
042		221427-3	WORM GEAR	1				
043		265620-9	TAPPING SCREW FLANGE 4X18	1				
044		213060-5	O RING 10	1				
045		161891-5	BRAKE DRUM COMPLETE	1				
046		221464-7	SPROCKET 6	1				
047		961013-5	STOP RING E-7	1				
048		457004-7	HOUSING R COVER	1				

Interchange  
O : Yes  
X : No  
< : the new part can be substituted for the current.  
> : the current part can be substituted for the new.  
S : Interchangeable as a set.

