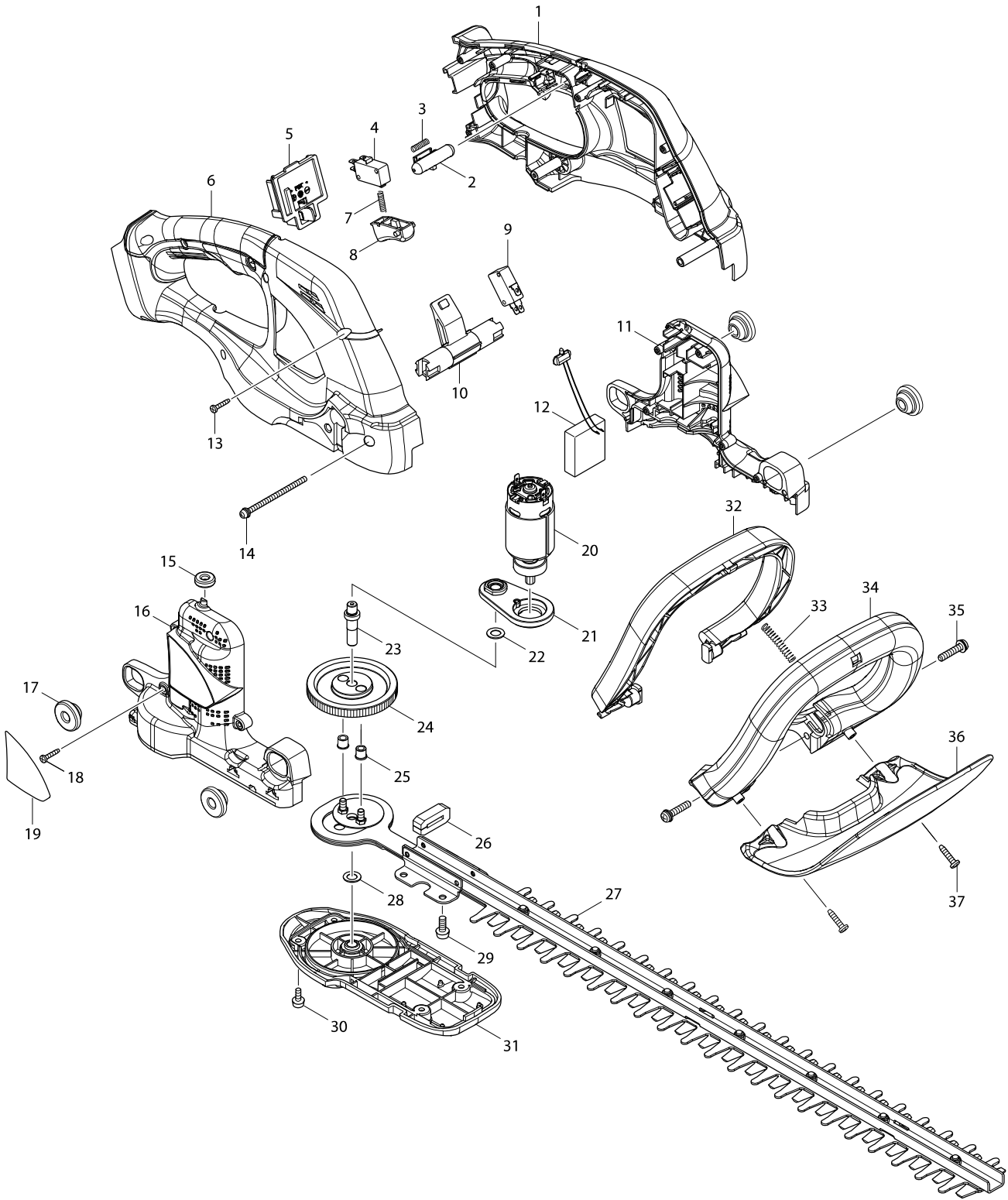


Model No. DUH523 520MM CORDLESS HEDGE TRIMMER



Model No. DUH523 520MM CORDLESS HEDGE TRIMMER

Item	Parts No.	Description	I/C	QTY	N/O	Opt. 1	Opt. 2	NOTE
001	187286-4	HANDLE SET		1	100			
D10		INC. 6						
002	452438-9	LOCK OFF BUTTON		1	100			
003	231473-8	COMPRESSION SPRING 4		1	100			
004	651852-8	SWITCH V-15-1A5		1	100			
005	643852-2	TERMINAL		1	100			
006	187286-4	HANDLE SET		1	100			
D10		INC. 1						
007	231473-8	COMPRESSION SPRING 4		1	100			
008	417564-1	SWITCH LEVER		1	100			
009	651852-8	SWITCH V-15-1A5		1	100			
010	452681-0	SWITCH ARM		1	100			
011	187285-6	MOTOR HOUSING SET		1	100			
D10		INC. 16						
012	638966-0	CONTROLLER UNIT		1	100			
C10	688161-2	LINE FILTER		1	100			
013	266429-2	TAPPING SCREW 3X16		6	100			
014	911193-7	PAN HEAD SCREW M4X65		1				
015	424195-9	RUBBER RING 6		1				
016	187285-6	MOTOR HOUSING SET		1	100			
D10		INC. 11						
017	424394-3	RUBBER RING 8		4	100			
018	266429-2	TAPPING SCREW 3X16		5	100			
019	815U45-9	DUH523 NAME PLATE		1				
020	629930-2	DC MOTOR		1	100			
021	141211-9	BEARING BOX COMPLETE		1	100			
022	253215-0	FLAT WASHER 8		1	100			
023	326034-8	SPINDLE		1	100			
024	227281-3	SPUR GEAR 93		1	100			
025	262570-9	NYLON SLEEVE 5		2	100			
026	423417-4	DUST GUARD		1	100			
027	195769-0	SHEAR BLADE COMPLETE SET		1	100			
C10	188605-7	OIL VESSEL SET		1	100			
C20	262570-9	NYLON SLEEVE 5		2	100			
028	253215-0	FLAT WASHER 8		1	100			
029	911218-7	PAN HEAD SCREW M5X14		4	100			
030	911113-1	PAN HEAD SCREW M4X10 WITH WR		4	100			
031	453317-4	UNDER COVER		1	100			
032	452678-9	SWITCH LEVER B		1	100			
033	234261-2	COMPRESSION SPRING 5		1	100			
034	452682-8	FRONT GRIP		1				
035	911243-8	PAN HEAD SCREW M5X25		2	100			
036	453316-6	PROTECTOR		1	100			
037	265995-6	TAPPING SCREW 4X18		2	100			
A01	452685-2	BLADE COVER		1				
A02D	***DC18RC	DC18RC FAST CHARGER		1				
A02E	***DC18RC	DC18RC FAST CHARGER		1				
A03D	194204-5	BATTERY BL1830 SET		1	*			

