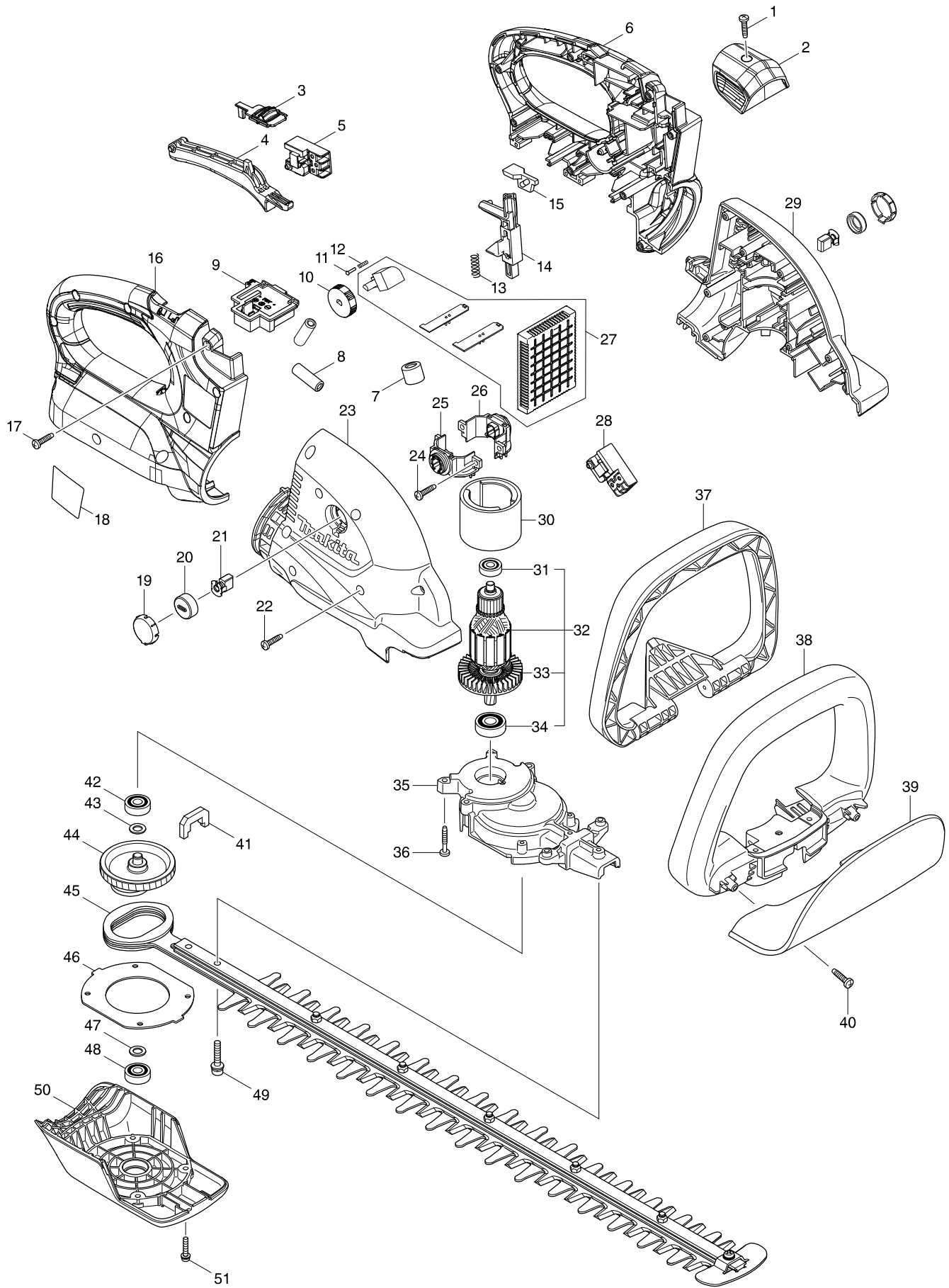


# Model No. DUH551 550MM CRDLSS HEDGE TRIMMER



# Model No. DUH551 550MM CRDLSS HEDGE TRIMMER

Item	Parts No.	Description	I/C	QTY	N/O	Opt. 1	Opt. 2	NOTE
001	265995-6	TAPPING SCREW 4X18		1	100			
002	452164-0	KNOB		1	100			
003	455093-6	LOCK OFF LEVER		1				
004	455091-0	SWITCH LEVER A		1				
005	650730-9	SWITCH TG72BD-6		1	100			
006	187879-7	HANDLE SET		1				
C10	263005-3	RUBBER PIN 6		4	100			
C20	803N80-7	INDICATION LABEL		1				
D10		INC. 16						
007	688163-8	LINE FILTER		1	100			
008	688165-4	LINE FILTER		2	100			
009	644808-8	TERMINAL		2	100			
010	271427-3	DIAL 28		1	100			
011	255058-6	RIVET 2		1	100			
012	233002-3	COMPRESSION SPRING 3		1	100			
013	233117-6	COMPRESSION SPRING 6		1	100			
014	452162-4	LOCK LEVER		1	100			
015	455092-8	SLIDER		1				
016	187879-7	HANDLE SET		1				
C10	263005-3	RUBBER PIN 6		4	100			
C20	803N80-7	INDICATION LABEL		1				
D10		INC. 6						
017	265995-6	TAPPING SCREW 4X18		10	100			
018	815P92-0	DUH551 NAME PLATE		1				
019	452145-4	HOLDER CAP COVER		2	100			
020	643941-3	BRUSH HOLDER CAP		2	100			
021	194928-3	CARBON BRUSH CB-442		1	100			
022	265995-6	TAPPING SCREW 4X18		8	100			
023	187878-9	HOUSING SET		1				
C10	263025-7	RUBBER PIN 4		4	100			
D10		INC. 29						
024	265995-6	TAPPING SCREW 4X18		2	100			
025	644511-1	BRUSH HOLDER		1				
026	644512-9	BRUSH HOLDER		1				
027	620274-3	CONTROLLER		1				
028	650730-9	SWITCH TG72BD-6		1	100			
029	187878-9	HOUSING SET		1				
C10	263025-7	RUBBER PIN 4		4	100			
D10		INC. 23						
030	638020-0	YOKE UNIT		1	100			
031	211022-7	BALL BEARING 607ZZ		1	100			
032	519261-6	ARMATURE ASSEMBLY 36V		1	151			
D10		INC. 31,33,34						
033	240045-8	FAN 55		1	100			
034	211062-5	BALL BEARING 6000ZZ		1	100			
035	140604-7	GEAR HOUSING COMPLETE		1	100			
C10	263002-9	RUBBER PIN 4		1	100			
036	265999-8	TAPPING SCREW 4X25		6	100			

# Model No. DUH551 550MM CRDLSS HEDGE TRIMMER

Item	Parts No.	Description	I/C	QTY	N/O	Opt. 1	Opt. 2	NOTE
037	452160-8	SWITCH LEVER B		1		100		
038	452158-5	FRONT GRIP		1				
039	452147-0	PROTECTOR		1				
040	265995-6	TAPPING SCREW 4X18		2		100		
041	443142-1	DUST GUARD		1		100		
042	211032-4	BALL BEARING 608ZZ		1		100		
043	253835-0	FLAT WASHER 8		1		100		
044	140536-8	GEAR COMPLETE		1		100		
045	194671-4	SHEAR BLADE ASS'Y SET		1	*			
C10	252184-2	HEX.LOCK NUT M5-8		5	*	100		
C20	257717-8	SLEEVE 5		7	*	100		
C30	265181-9	+TRUSS HEAD SCREW M5X20		5	*	100		
C40	345205-8	BRANCH CATCHER		1	*	100		
C50	911208-0	PAN HEAD SCREW M5X10		1	*	100		
C60	188605-7	OIL VESSEL SET		1	*	100		
045-1	196687-5	SHEAR BLADE ASS'Y SET	O	1				
C10	252184-2	HEX.LOCK NUT M5-8		5		100		
C20	257717-8	SLEEVE 5		7		100		
C30	265181-9	+TRUSS HEAD SCREW M5X20		5		100		
C40	345205-8	BRANCH CATCHER		1		100		
C50	911208-0	PAN HEAD SCREW M5X10		1		100		
C60	188605-7	OIL VESSEL SET		1		100		
046	346325-1	PLATE		1		100		
047	253835-0	FLAT WASHER 8		1		100		
048	211032-4	BALL BEARING 608ZZ		1		100		
049	265182-7	+ PAN HEAD SCREW M5X25		2		100		
050	452156-9	UNDER COVER		1		100		
051	911138-5	PAN HEAD SCREW M4X20		4		100		
A01	450489-6	BLADE COVER		1				
E01	891003-3	SOUND 93DB LABEL		1				