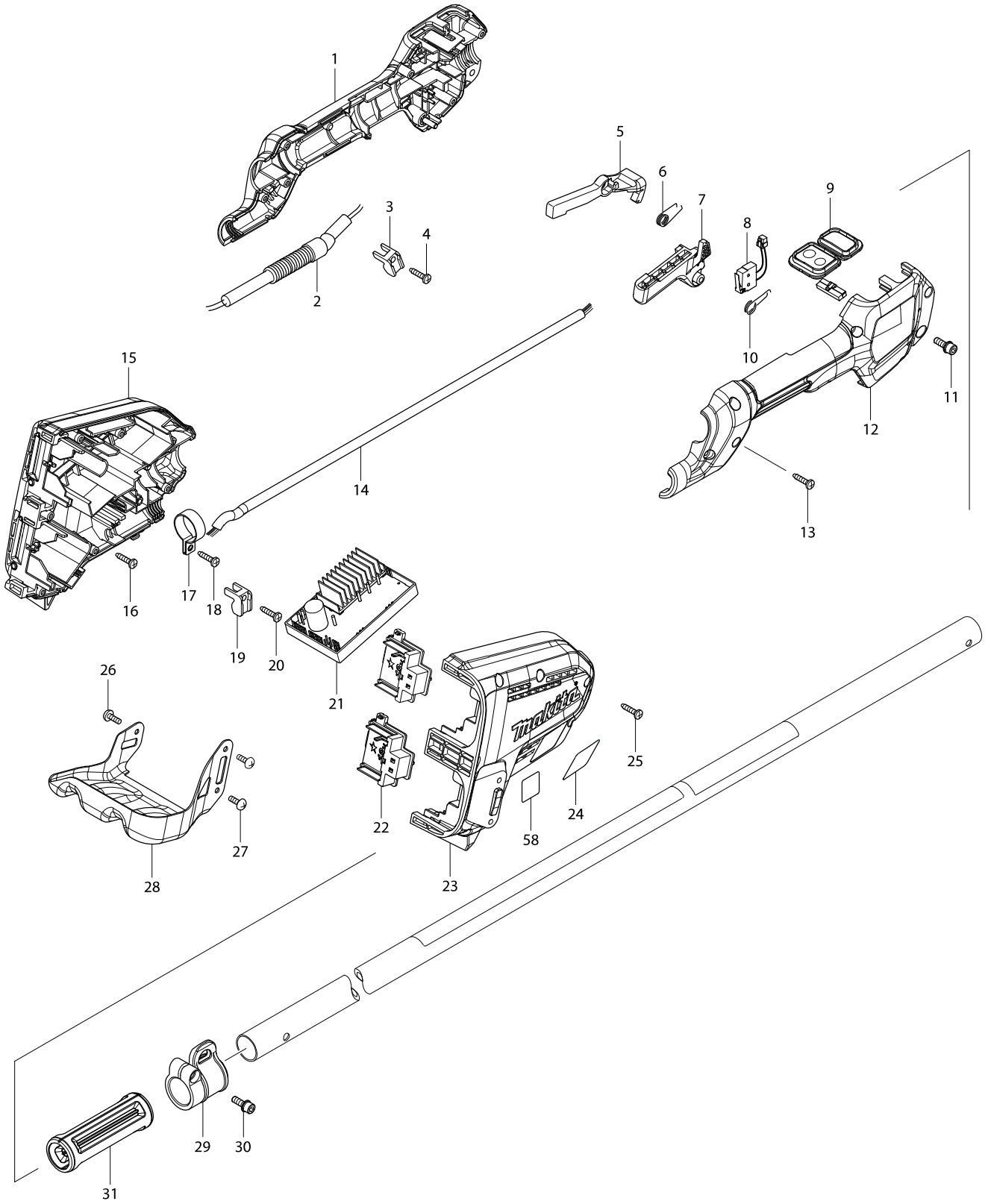
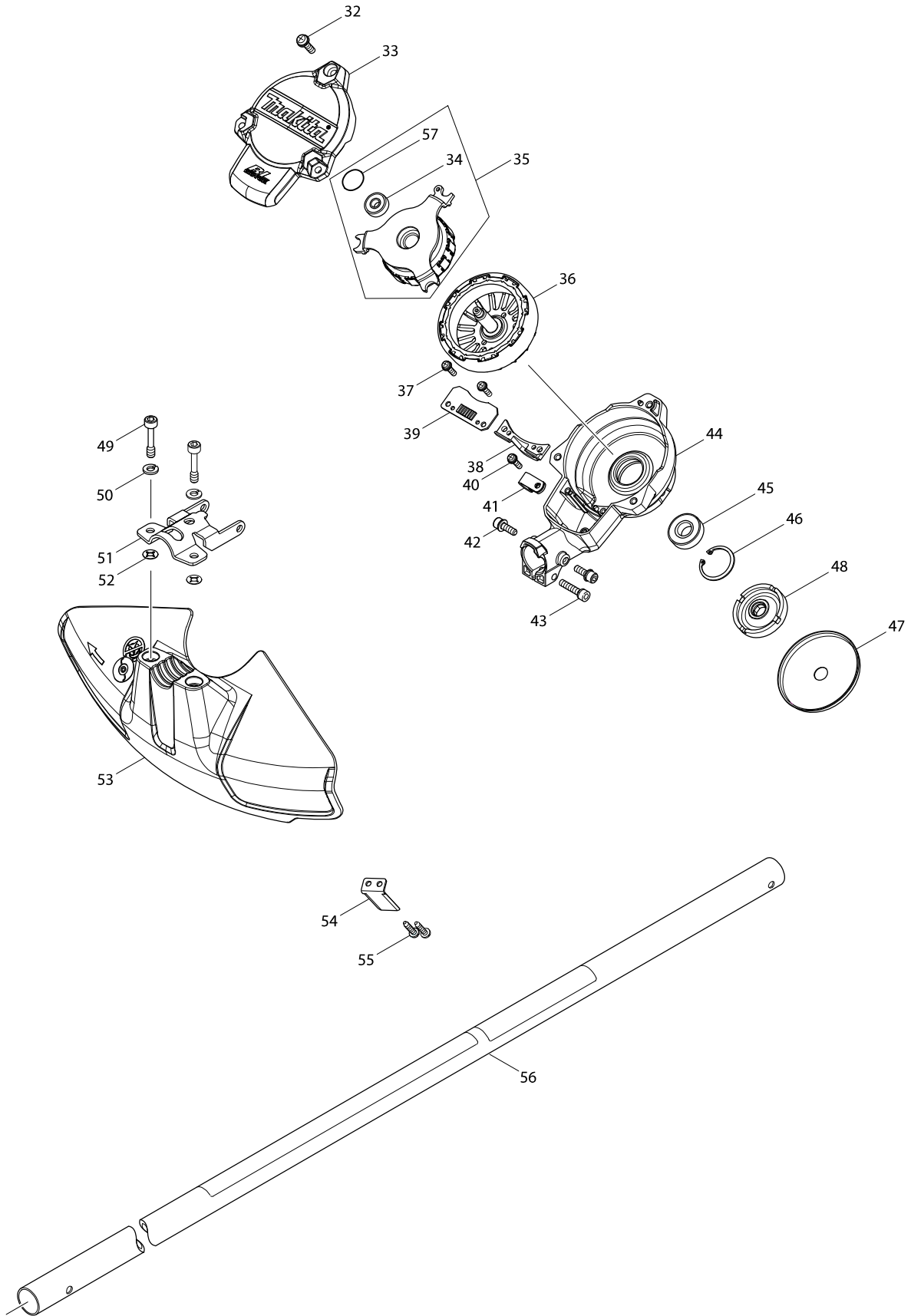


Model No. DUR364L CORDLESS GRASS TRIMMER



Model No. DUR364L CORDLESS GRASS TRIMMER



Model No. DUR364L CORDLESS GRASS TRIMMER

Item	Parts No.	Description	I/C	QTY	N/O	Opt. 1	Opt. 2	NOTE
001	183A19-1	GRIP SET		1				
D10		INC. 12						
002	699068-7	POWER SOPPLY CORD UNIT		1				
003	687261-5	STRAIN RELIEF		1		100		
004	266326-2	TAPPING SCREW 4X18		1		100		
005	455629-1	LOCK OFF LEVER		1				
006	233621-5	TORSION SPRING 9		1				
007	455625-9	SWITCH LEVER		1				
008	632E26-0	SWITCH UNIT		1				
009	143040-6	SUB CONTROLLER COMPLETE		1				
010	233612-6	TORSION SPRING 10		1		100		
011	922228-9	H.S.H.BOLT M5X18 WITH WR		1		100		
012	183A19-1	GRIP SET		1				
D10		INC. 1						
013	266326-2	TAPPING SCREW 4X18		6		100		
014	699067-9	POWER SUPPLY CORD UNIT		1				
015	183A64-6	HOUSING SET		1				
C10	263005-3	RUBBER PIN 6		4		100		
D10		INC. 23						
016	266326-2	TAPPING SCREW 4X18		3		100		
017	346248-3	CLAMP 24		1		100		
018	266326-2	TAPPING SCREW 4X18		1		100		
019	687261-5	STRAIN RELIEF		1		100		
020	266326-2	TAPPING SCREW 4X18		1		100		
021	143061-8	CONTROLLER COMPLETE		1	*			
021-1	144367-7	CONTROLLER COMPLETE	S	1				
022	644808-8	TERMINAL		2		100		
023	183A64-6	HOUSING SET		1				
C10	263005-3	RUBBER PIN 6		4		100		
D10		INC. 15						
024	850N97-1	DUR364L NAME PLATE		1				
025	266326-2	TAPPING SCREW 4X18		7		100		
026	251314-2	+ SCREW M4X12		1		100		
027	251314-2	+ SCREW M4X12		2		100		
028	346858-6	BATTERY GUARD		1				
029	168478-4	HANGER		1		100		
030	922228-9	H.S.H.BOLT M5X18 WITH WR		1		100		
031	451601-1	SPACER 24		1		154		
032	911233-1	PAN HEAD SCREW M5X20		3		100		
033	455626-7	TOP COVER		1				
034	210062-2	BALL BEARING 607ZZ		1		100		
035	529146-8	STATOR ASS'Y		1				
D10		INC. 34,57						
036	619360-5	ROTOR		1	*			
036-1	619460-1	ROTOR	<	1				
037	911128-8	P.H.SCREW M4X16 WITH WR		2		100		
038	455628-3	INNER COVER		1				
039	620401-2	CONTROLLER B		1	*			

