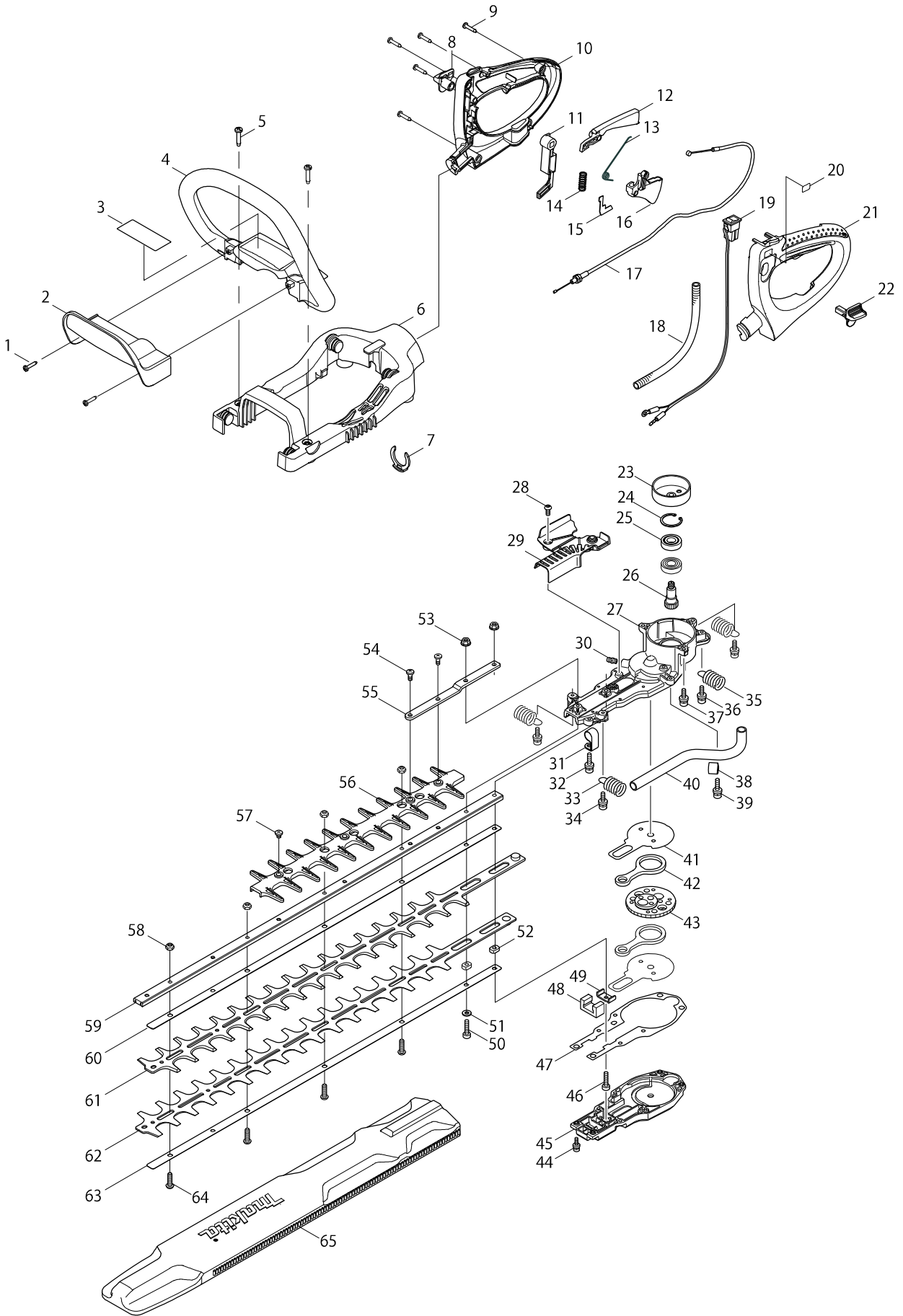
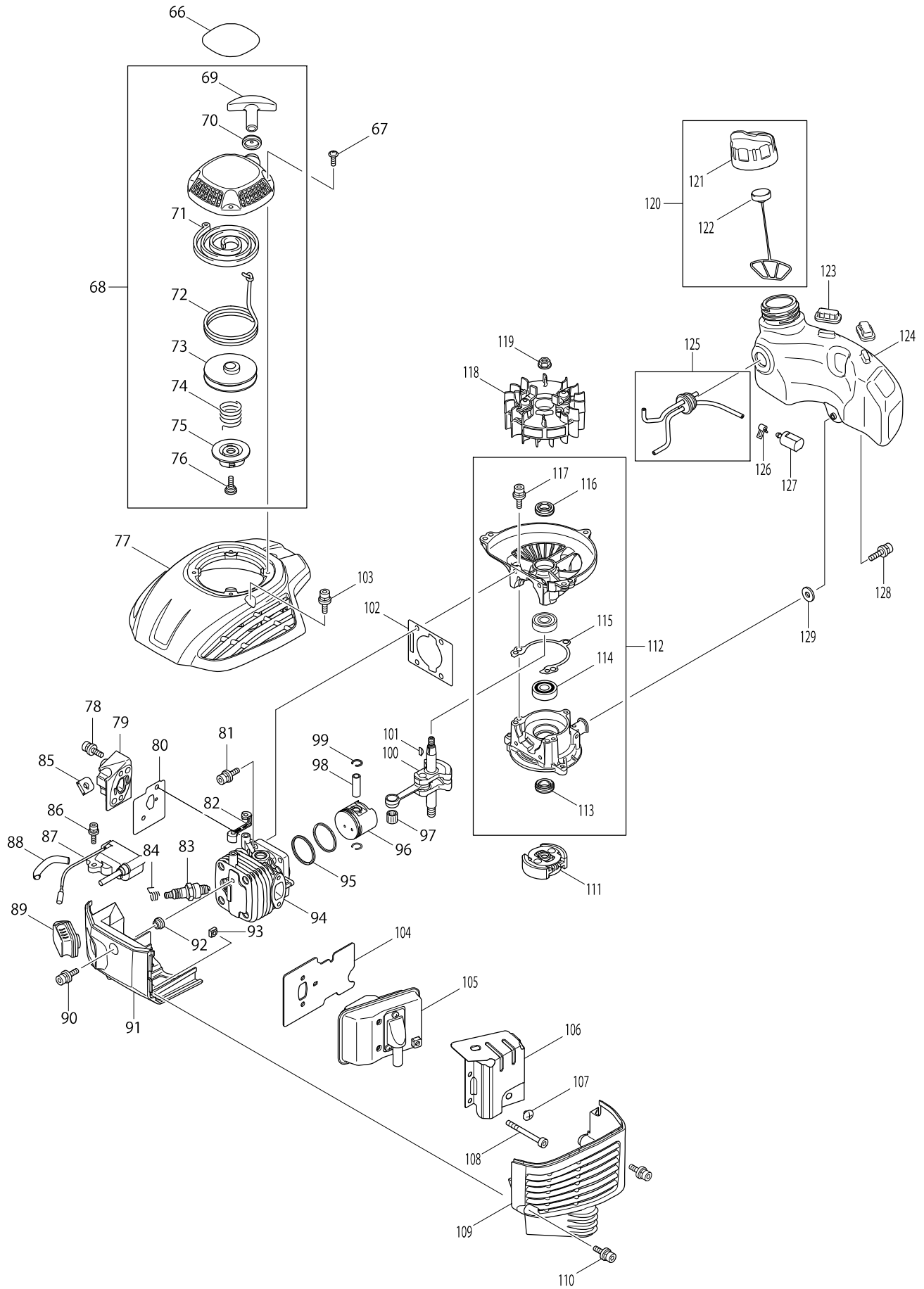


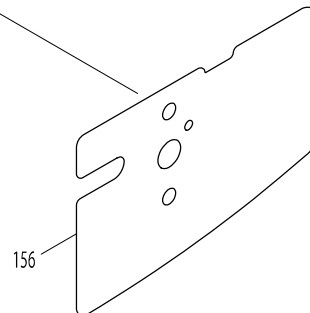
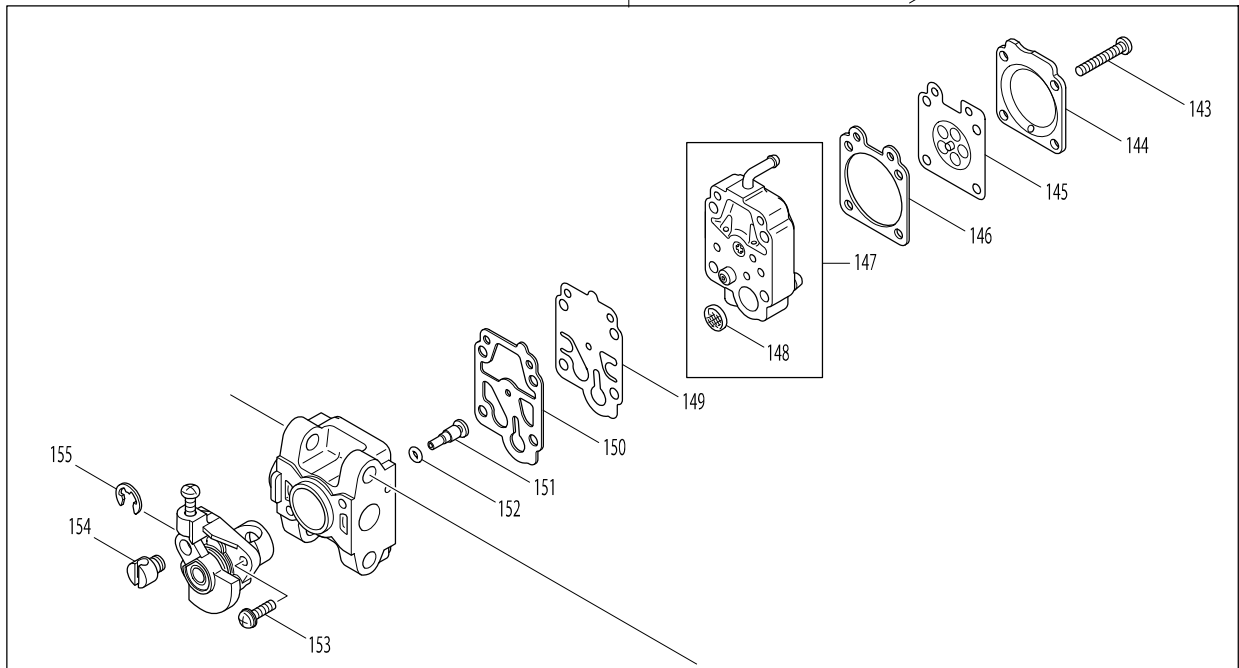
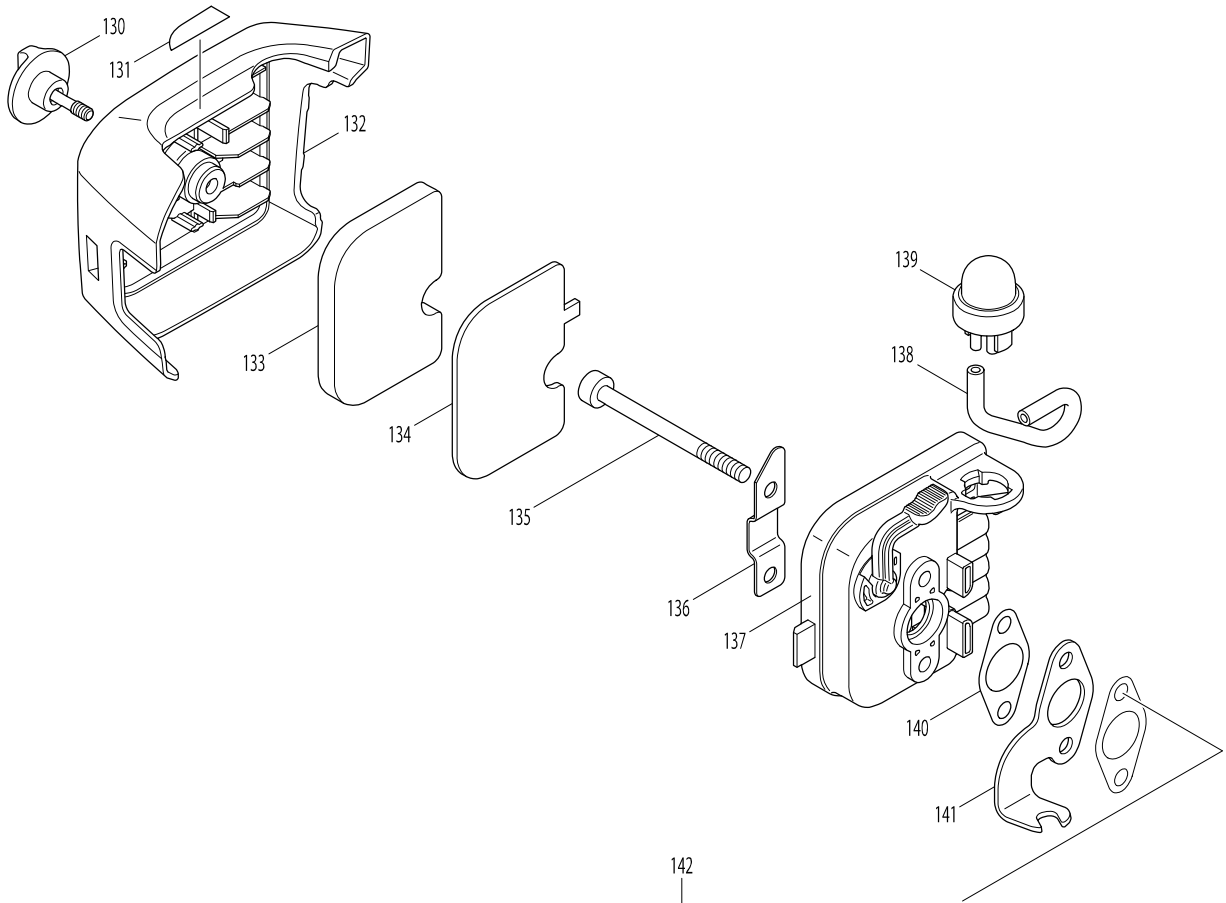
# Model No. EH6000W PETROL HEDGE TRIMMER



# Model No. EH6000W PETROL HEDGE TRIMMER



# Model No. EH6000W PETROL HEDGE TRIMMER



# Model No. EH600W PETROL HEDGE TRIMMER

Item	Parts No.	Description	I/C	QTY	N/O	Opt. 1	Opt. 2	NOTE
001	266045-0	TAPPING SCREW 4X20		2		100		
002	452322-8	GUARD		1		100		
003	892383-0	CAUTION LABEL		1		100		
004	452321-0	LOOP HANDLE		1		100		
005	266041-8	TAPPING SCREW 5X25		2		100		
006	452319-7	HANDLE BASE		1		100		
007	452323-6	STOP RING 25		1		100		
008	452316-3	LOCK LEVER B		1		100		
009	266045-0	TAPPING SCREW 4X20		5		100		
010	452318-9	LEVER CASE R		1	*	100		
011	452314-7	STOPPER		1		100		
012	452313-9	TRIGGER B		1		100		
013	233579-8	TORSION SPRING 8		1		100		
014	234204-4	COMPRESSION SPRING 8		1		100		
015	413153-0	PLATE		1		100		
016	452312-1	TRIGGER A		1		100		
017	168625-7	CONTROL CABLE		1		100		
018	452324-4	CORRUGATE TUBE		1		100		
019	125858-7	SWITCH ASSEMBLY		1		100		
020	892384-8	INDICATION LABEL		1		100		
021	452317-1	LEVER CASE L		1	*	100		
021-1	187049-8	LEVER CASE SET	S	1		100		
022	452315-5	LOCK LEVER A		1		100		
023	168567-5	CLUTCH DRUM		1		154		
024	0031428000	INNER SNAP RING		1		154		
025	0600129780	BALL BEARING		2		154		
026	227247-3	SPUR GEAR 9		1		154		
027	141033-7	GEAR CASE COMPLETE		1		154		
028	0119059400	SOCKET HEAD BOLT M5X12		2		154		
029	451865-7	BAFFLE PLATE		1		154		
030	243107-1	GREASE NIPPLE		1		154		
031	346253-0	CLAMP		1		154		
032	0119059780	SOCKET HEAD BOLT M5X12		1	*	154		
032-1	922213-2	H.S.H.BOLT M5X12 WITH WR	O	1		100		
033	234224-8	COMPRESSION SPRING 15		2		100		
034	0119059360	SOCKET HEAD BOLT		2		154		
035	234202-8	COMPRESSION SPRING 15		2		154		
036	0119059360	SOCKET HEAD BOLT		2		154		
037	0119059870	SOCKET HEAD BOLT M5X18		3	*	154		
037-1	266787-6	H.S.H.BOLT M5X18 WITH WR	O	3		100		
038	346252-2	CLAMP		1		154		
039	0119059780	SOCKET HEAD BOLT M5X12		1	*	154		
039-1	922213-2	H.S.H.BOLT M5X12 WITH WR	O	1		100		
040	331896-1	PIPE		1		154		
041	346255-6	FRICTION PLATE		2		154		
042	346251-4	CONNECTING ROD		2		154		
043	227248-1	SPUR GEAR 43		1		154		
044	922128-3	HEX. SOCKET HEAD BOLT M4X16		8		100		

# Model No. EH6000W PETROL HEDGE TRIMMER

Item	Parts No.	Description	I/C	QTY	N/O	Opt. 1	Opt. 2	NOTE
045	318610-2	GEAR CASE COVER		1		154		
046	0119059860	SOCKET HEAD BOLT M5X33		1	*	154		
046-1	266573-5	HEX. SOCKET HEAD BOLT M5X33	O	1		100		
047	413137-8	GEAR CASE GASKET		1		154		
048	443159-4	SEAL		1		154		
049	346256-4	HOLDER		1		154		
050	0119059860	SOCKET HEAD BOLT M5X33		1	*	154		
050-1	266573-5	HEX. SOCKET HEAD BOLT M5X33	O	1		100		
051	0031105003	WASHER		1		154		
052	313195-3	SLEEVE 5		2		154		
053	0023705000	FLANGE NUT M5		2		154		
054	0140059490	SCREW		2	*	154		
054-1	266874-1	H.S.H.BOLT M5X14	<	2		154		
055	346514-8	PLATE		1	*	100		
055-1	346663-1	PLATE	O	1		100		
056	452325-2	BLADE GUARD		1	*	100		
056-1	454672-7	BLADE GUARD	<	1		100		
057	915211-3	BINDING HEAD SCREW M5X12		2		100		
058	264036-5	HEX.LOCK NUT M6-10		4		154		
059	331895-3	GUIDE BAR		1				
060	346258-0	PLATE		1		100		
061	725170-1	SHEAR BLADE		1				
062	725170-1	SHEAR BLADE		1				
063	346258-0	PLATE		1		100		
064	266578-5	SOCKET BUTTON HEAD BOLT M6X20		4		154		
065	452327-8	BLADE COVER		1		100		
066	892378-3	EH6000W MODEL NO.LABEL		1		100		
067	0150049860	TAPPING SCREW M4X14		4		154		
068	125753-1	RECOIL STARTER ASSEMBLY		1		154		
D10		INCL.69-76						
069	5225004020	HANDLE		1	*	154		
069-1	424319-7	STARTER KNOB	O	1		154		
070	5255001040	DAMPER		1	*	154		
070-1	424359-5	DAMPER	O	1		100		
071	5215002030	SPIRAL SPRING		1	*	154		
071-1	232258-5	SPIRAL SPRING	O	1		154		
072	444028-2	STARTER,ROPE		1		154		
073	452402-0	REEL		1		154		
074	233991-2	DAMPER,SPRING		1		154		
075	452403-8	CAM PLATE		1		154		
076	5195002060	SET SCREW		1	*	154		
076-1	266585-8	TAPPING SCREW 5X12	O	1		154		
077	452948-6	BLOWER HOUSING		1		154		
078	0119059450	SOCKET HEAD BOLT M5X18		2	*	154		
078-1	266760-6	H.S.H.BOLT M5X18 WITH WRM	O	2		154		
079	451911-6	INSULATOR		1		154		
080	346268-7	INSULATOR GASKET		1		154		
081	0119059870	SOCKET HEAD BOLT M5X18		4	*	154		

# Model No. EH600W PETROL HEDGE TRIMMER

Item	Parts No.	Description	I/C	QTY	N/O	Opt. 1	Opt. 2	NOTE
081-1	266787-6	H.S.H.BOLT M5X18 WITH WR	O	4		100		
082	452556-3	SPACER		1		154		
083	0650109950	SPARK PLUG CMR6A		1	*	154		
083-1	168401-9	SPARK PLUG	O	1		100		
084	0654009931	PLUG CAP SPRING		1	*	154		
084-1	324891-8	PLUG CAP SPRING	O	1		100		
085	S198113530	RUBBER		1	*	154		
085-1	424491-5	GROMMET	O	1		154		
086	0119049970	SOCKET HEAD BOLT M4X20		2		154		
087	168684-1	IGNITION COIL		1		154		
088	0851069920	TUBE		1	*	154		
088-1	412102-4	TUBE	O	1		154		
089	424302-4	PLUG CAP		1		154		
090	0119059620	SOCKET HEAD BOLT M5X18		1		154		
091	451860-7	CYLINDER COVER		1		154		
092	5503503001	SPACER		1		154		
093	5415001160	NUT		1	*	154		
093-1	264083-6	NUT	O	1	*	154		
093-2	264050-1	SQUARE NUT M5-8	O	1		100		
094	140508-3	CYLINDER COMPLETE		1	*	154		
094-1	141381-4	CYLINDER COMPLETE	O	1		154		
095	S115113650	PISTON RING		2	*	154		
095-1	257334-4	PISTON RING 33	O	2		154		
096	S115313750	PISTON		1	*	154		
096-1	318858-6	PISTON	O	1		154		
097	0610089970	NEEDLE ROLLER BEARING		1	*	154		
097-1	212702-8	NEEDLE CAGE 810	O	1		154		
098	S115323130	PIN,PISTON		1	*	154		
098-1	256543-2	PISTON PIN 8	O	1		154		
099	S198343210	CLIP		2	*	154		
099-1	234243-4	CLIP	O	2		154		
100	140429-9	CRANKSHAFT COMPLETE		1		154		
101	S034309031	WOODRUFF KEY		1	*			
101-1	254041-0	WOODRUFF KEY	O	1				
102	346267-9	CYLINDER GASKET		1		154		
103	0119059870	SOCKET HEAD BOLT M5X18		3	*	154		
103-1	266787-6	H.S.H.BOLT M5X18 WITH WR	O	3		100		
104	346260-3	MUFFLER GASKET		1		154		
105	168565-9	MUFFLER		1	*	154		
105-1	161555-1	MUFFLER	<	1				
106	346343-9	MUFFLER COVER		1		154		
107	0140059962	SCREW M5X5		1		154		
108	0119059550	SOCKET HEAD BOLT		2	*	154		
108-1	266754-1	SOCKET HEAD BOLT	O	2		154		
109	451861-5	MUFFLER COVER		1		154		
110	0119059620	SOCKET HEAD BOLT M5X18		2		154		
111	140584-7	CLUTCH COMPLETE		1	*	154		
111-1	141150-3	CLUTCH COMPLETE	O	1		154		

# Model No. EH600W PETROL HEDGE TRIMMER

Item	Parts No.	Description	I/C	QTY	N/O	Opt. 1	Opt. 2	NOTE
112	5231016000	CRANKCASE ASSEMBLY		1		154		
D10		INCL.113-117						
113	0440109970	OIL SEAL (S)		1	*	154		
113-1	213148-1	OIL SEAL 10	O	1	*	100		
113-2	213769-9	OIL SEAL 10	O	1		100		
114	0600109980	BALL BEARING 6000		2	*	154		
114-1	210086-8	BALL BEARING 6000	O	2	*	154		
114-2	211064-1	BALL BEARING 6000	O	2		100		
115	413139-4	CRANKCASE GASKET		1		154		
116	0440109970	OIL SEAL (S)		1	*	154		
116-1	213148-1	OIL SEAL 10	O	1	*	100		
116-2	213769-9	OIL SEAL 10	O	1		100		
117	0119059870	SOCKET HEAD BOLT M5X18		3	*	154		
117-1	266787-6	H.S.H.BOLT M5X18 WITH WR	O	3		100		
118	126046-9	FLYWHEEL ASSEMBLY		1		154		
119	S020109118	NUT M6		1	*	154		
119-1	264073-9	CORNED DISC SPRING HEX NUT M6	O	1		154		
120	125770-1	FUEL TANK CAP ASSEMBLY		1		154		
D10		INCL.121,122						
121	125840-6	FUEL TANK CAP ASSEMBLY		1	*	154		
122	140624-1	STRAP COMPLETE		1	*	154		
123	424080-6	BUFFER RUBBER		2		100		
124	451867-3	FUEL TANK		1		154		
125	168568-3	TUBE COMPLETE		1		154		
126	0561059990	HOSE CLAMP		1	*	154		
126-1	345920-4	HOSE CLAMP	O	1		154		
127	5266500100	FILTER		1	*			
127-1	163518-3	GASOLINE FILTER	O	1				
128	0119059350	SOCKET HEAD BOLT M5X20		1		154		
129	452197-5	SPACER		1		154		
130	265791-2	THUMB SCREW M4		1		154		
131	819818-6	CHOKE INDICATION LABEL		1		154		
132	451859-2	AIR CLEANER COVER		1		154		
133	443157-8	AIR FILTER		1				
134	443158-6	AIR FILTER		1				
135	0119059710	SOCKET HEAD BOLT M5X60		2		154		
136	5923502600	PLATE		1	*	154		
136-1	345919-9	PLATE	O	1	*	154		
136-2	346647-9	PLATE	<	1		154		
137	126029-9	AIR CLEANER PLATE ASSY		1		154		
138	412097-1	TUBE		1		154		
139	5236504300	PUMP		1	*	154		
139-1	168398-2	PRIMER PUMP	O	1		154		
140	5253503900	GASKET,CARBURETOR		2	*	154		
140-1	413158-0	CARBURETOR GASKET	O	2		154		
141	346334-0	CABLE BRACKET		1		154		
142	168569-1	CARBURETOR		1		154		
D10		INCL.143-155						

