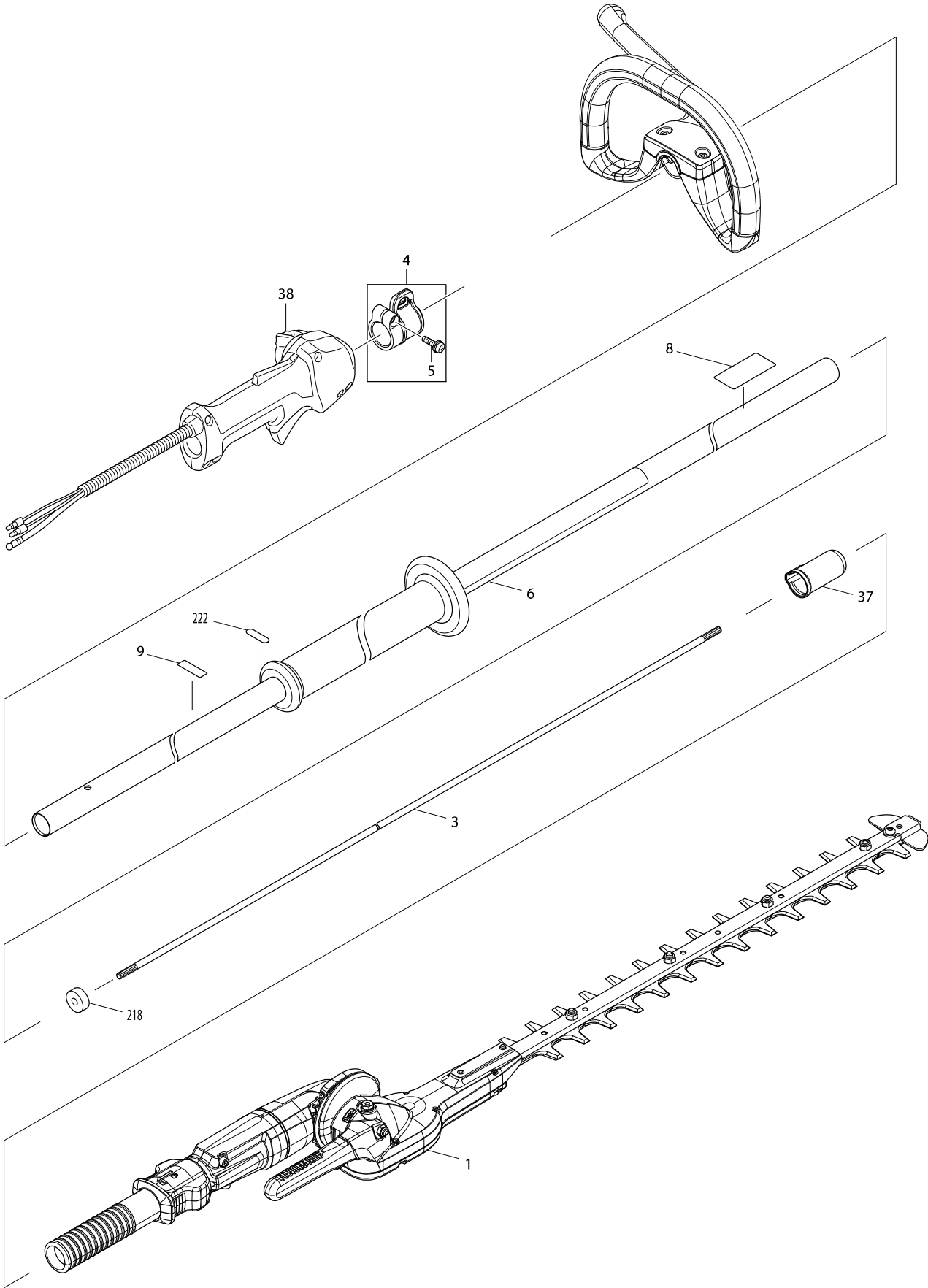
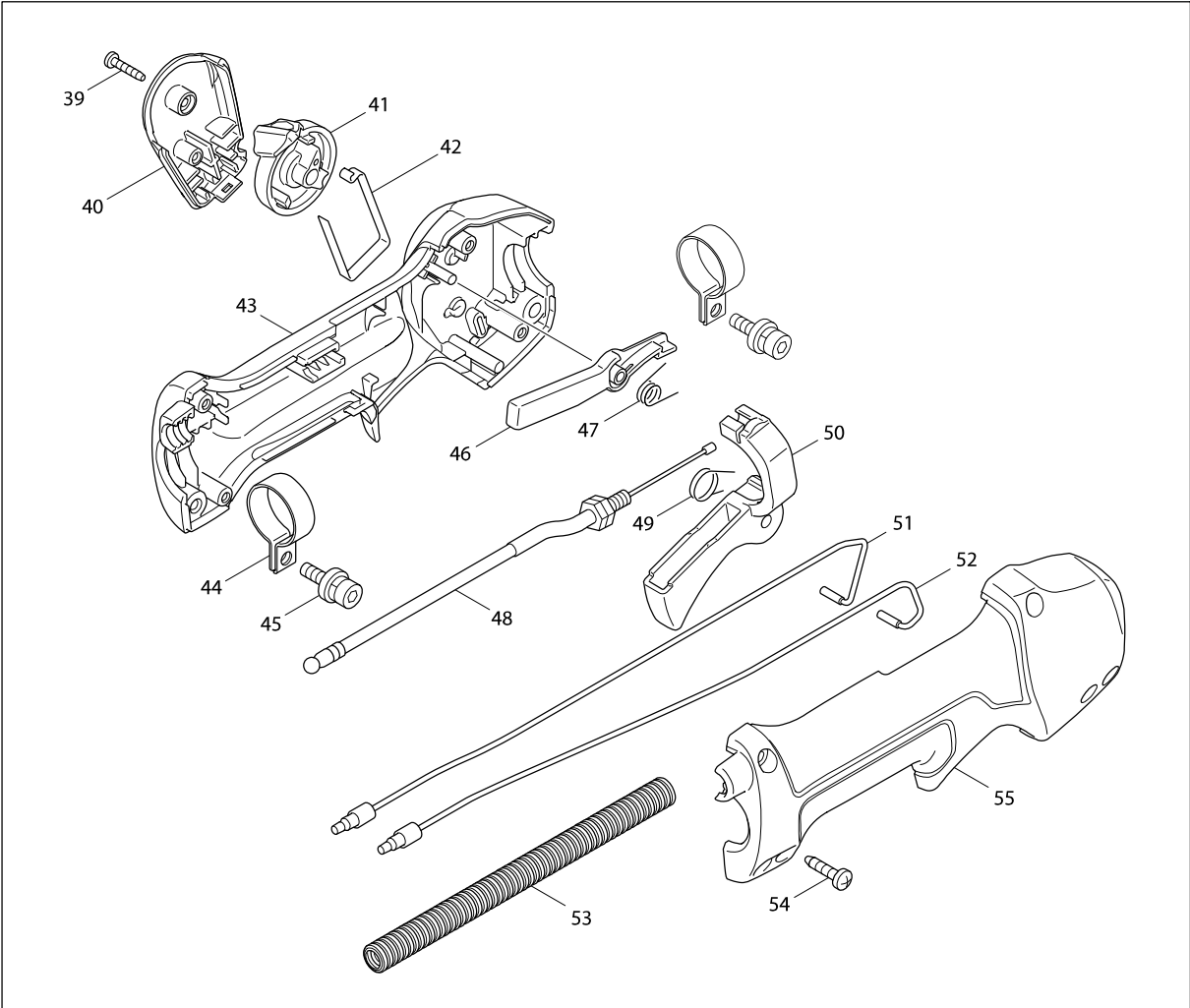


Model No. EN4950H PETROL POLE HEDGE TRIMMER



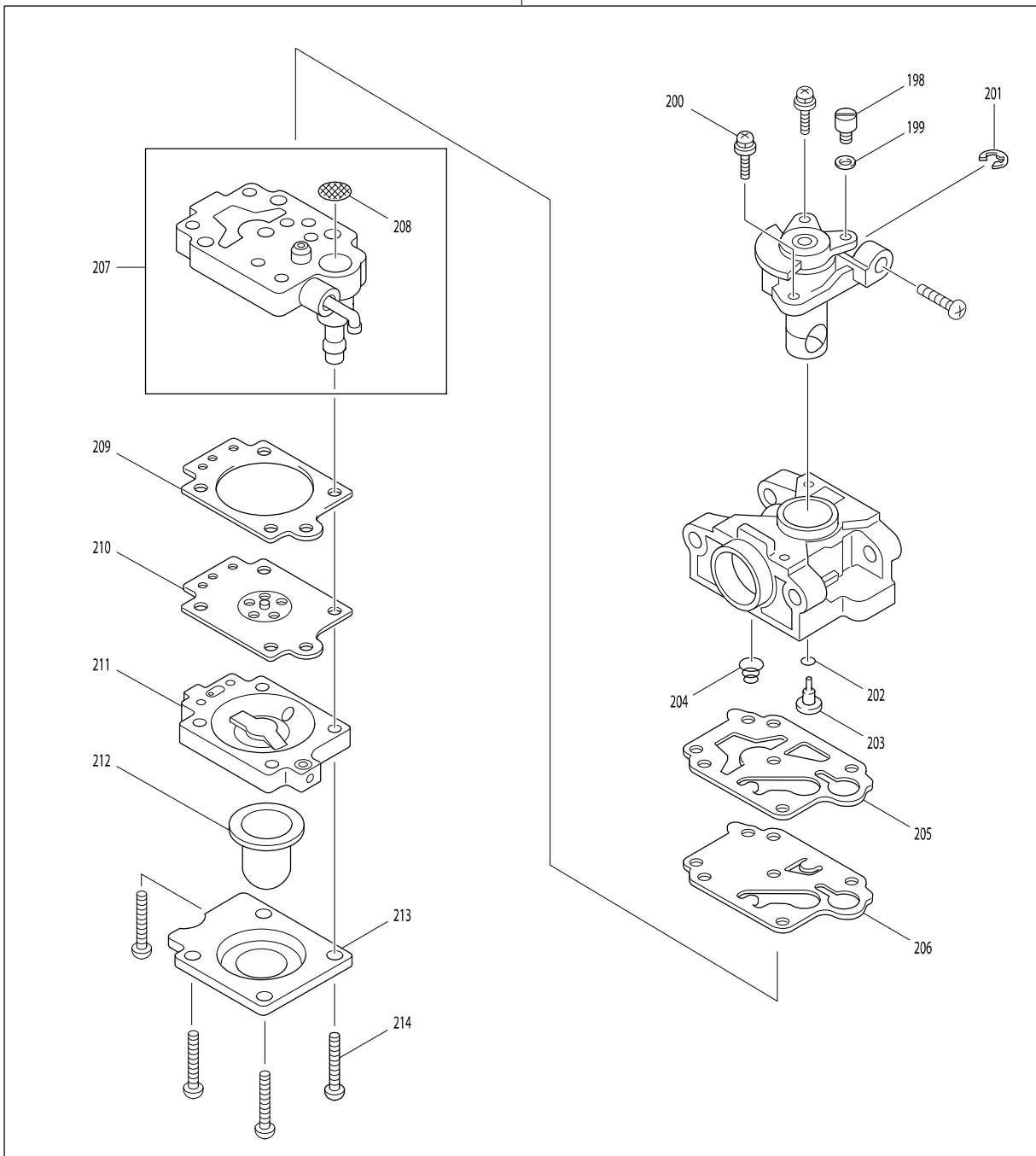
Model No. EN4950H PETROL POLE HEDGE TRIMMER



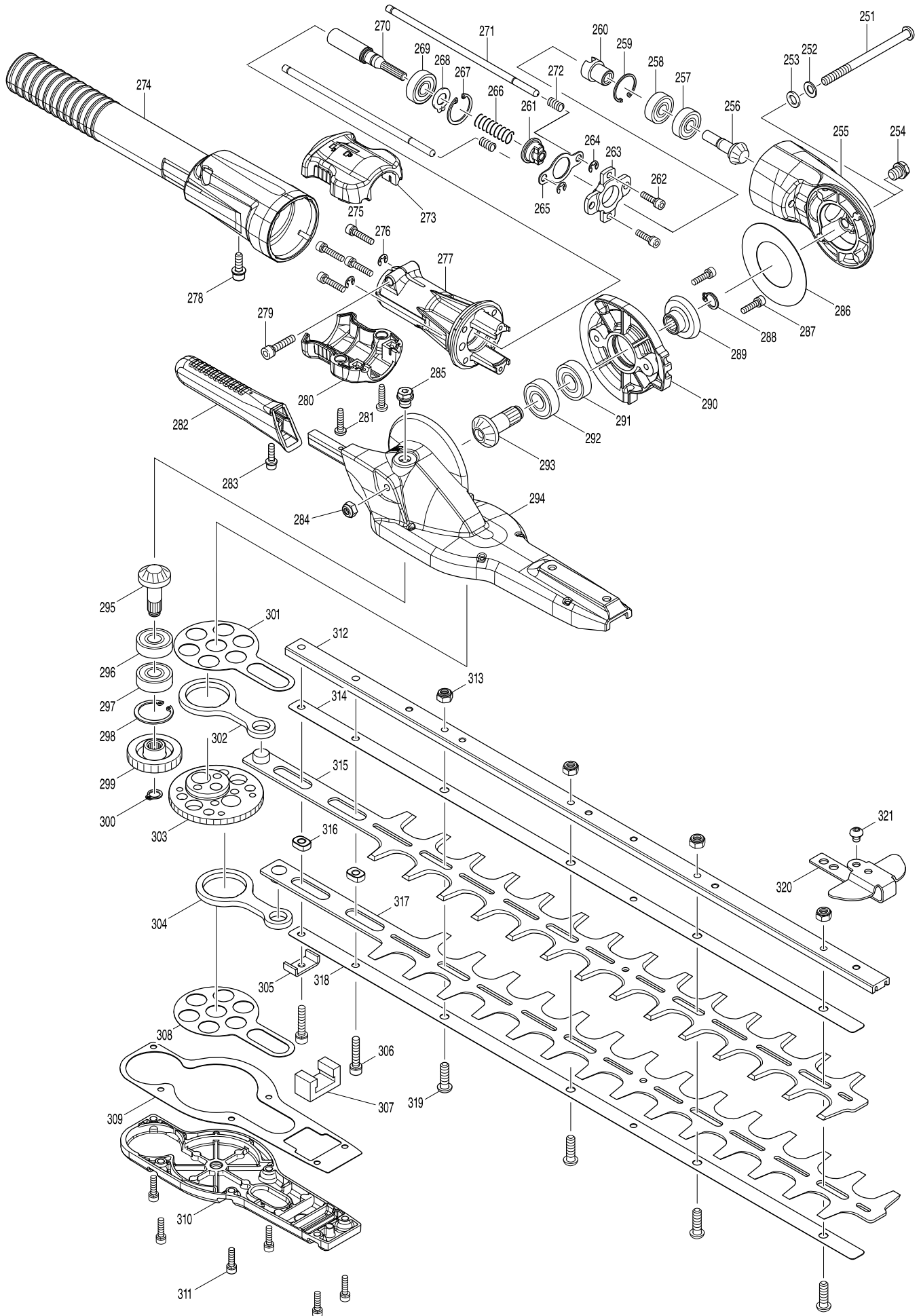
38

Model No. EN4950H PETROL POLE HEDGE TRIMMER

197



Model No. EN4950H PETROL POLE HEDGE TRIMMER



Model No. EN4950H PETROL POLE HEDGE TRIMMER

Item	Parts No.	Description	I/C	QTY	N/O	Opt. 1	Opt. 2	NOTE
001	126293-2	TRIMMER HEAD ASS'Y		1	*	154		
001-1	126293-2	TRIMMER HEAD ASS'Y	O	1	*	154		
D10		INC. 251-321			*			
001-2	123494-3	TRIMMER HEAD ASSEMBLY	<	1	*			
D10		INC. 251-321			*			
001-3	135683-8	TRIMMER HEAD ASSEMBLY SET	O	1	*			
D10		INC. 251-321			*			
001-4	135773-7	TRIMMER HEAD ASSEMBLY SET	<	1				
D10		INC. 251-321						
003	324893-4	SHAFT		1	*	154		
003-1	327056-1	SHAFT	O	1				
004	195143-2	HANGER SET		1		154		
D10		INC. 5						
005	911233-1	PAN HEAD SCREW M5X20		1		100		
006	142023-3	PIPE COMPLETE		1	*	100		
C10	801E17-4	CAUTION LABEL		1	*	100		
006-1	143930-3	PIPE COMPLETE	<	1				
C10	801E17-4	CAUTION LABEL		1		100		
008	893670-0	MAKITA LOGO LABEL		1		100		
009	801D19-4	SERIAL NO. LABEL		1		100		
033	816567-6	SERIAL NO. LABEL		1		100		
034	819430-2	CAUTION TAG		1		154		
036	801B73-6	EN4950H MODEL NO. LABEL		1		100		
037	424434-7	CAP 24		1		100		
038	125776-9	CONTROL LEVER ASSEMBLY		1	*	100		
D10		INC. 39-55			*			
038-1	126488-7	CONTROL LEVER ASSEMBLY	<	1		154		
D10		INC. 39-55						
039	266130-9	TAPPING SCREW BIND PT 3X16		1		100		
040	451595-0	SWITCH COVER		1		100		
041	451594-2	SWITCH LEVER		1		100		
042	232251-9	LEAF SPRING		1		154		
043	188832-6	LEVER CASE SET		1		100		
D10		INC. 55						
044	346248-3	CLAMP 24		2		100		
045	922218-2	H.S.H.BOLT M5X14 WITH WR		2		100		
046	451593-4	LOCK LEVER		1		100		
047	233541-3	TORSION SPRING 7		1		154		
048	168571-4	CONTROL CABLE		1		100		
049	233540-5	TORSION SPRING 11		1		154		
050	451592-6	THROTTLE LEVER		1	*	100		
050-1	455313-8	THROTTLE LEVER	<	1		154		
051	638714-7	LEAD UNIT		1		100		
052	638713-9	LEAD UNIT		1		100		
053	452071-7	CORRUGATE TUBE		1		100		
054	266326-2	TAPPING SCREW 4X18		4		100		
055	188832-6	LEVER CASE SET		1		100		
D10		INC. 43						

Model No. EN4950H PETROL POLE HEDGE TRIMMER

Item	Parts No.	Description	I/C	QTY	N/O	Opt. 1	Opt. 2	NOTE
060	126202-1	CLEANER COVER ASSEMBLY		1	*	100		
D10		INC. 61			*			
060-1	123499-3	CLEANER COVER ASSEMBLY	S	1				
D10		INC. 61						
061	265791-2	THUMB SCREW M4		1		154		
062	443171-4	AIR CLEANER ELEMENT		1		154		
063	443169-1	AIR CLEANER ELEMENT		1		154		
064	266871-7	H.S.BUTTON HEAD BOLT M5X60		2		100		
065	126198-6	CLEANER PLATE ASSEMBLY		1	*	100		
D10		INC. 66-68,223,224,231-234			*			
065-1	123501-2	CLEANER PLATE ASSEMBLY	S	1				
D10		INC. 66-68,223,224,231-234						
066	162346-3	SEPARATOR PLATE		1		100		
067	213540-1	O RING 15		1		154		
068	424316-3	CHECK VALVE		2		154		
069	422099-9	PIPE		1		100		
070	325665-0	JOINT PIPE		1		100		
071	442153-3	CARBURETOR GASKET		1		100		
072	266787-6	H.S.H.BOLT M5X18 WITH WR		2		100		
073	451825-9	CLAMP		1		100		
074	451729-5	INSULATOR		1		100		
075	213547-7	O-RING 12		1		100		
076	422109-2	BREATHER PIPE		1		100		
077	345918-1	HOSE CLAMP		1		154		
078	318745-9	ROCKER COVER OUTER		1		100		
079	922222-1	HEX. SOCKET HEAD BOLT M5X16		4		100		
080	453860-3	ROCKER COVER INNER		1		100		
081	162304-9	ROCKER COVER GASKET		1		100		
082	424302-4	PLUG CAP		1		154		
083	324891-8	PLUG CAP SPRING		1		100		
084	168534-0	SPARK PLUG		1		154		
085	125554-7	ROCKER ARM ASSEMBLY		2		100		
086	256200-2	PIN 5		1		100		
087	256865-0	ROD 2.5		2		154		
088	325668-4	SPRING RETAINER		2		154		
089	451735-0	CLUTCH CASE		1		100		
090	922228-9	H.S.H.BOLT M5X18 WITH WR		3		100		
091	450569-8	SPACER		1	*	154		
091-1	450569-8	SPACER	O	1		154		
092	961052-5	RETAINING RING S-12		1		100		
093	210111-5	BALL BEARING 6201LLU		1		154		
094	962151-6	RETAINING RING R-32		1		100		
095	168809-7	CLUTCH DRUM COMPLETE		1	*	100		
095-1	161588-6	CLUTCH DRUM COMPLETE	<	1				
096	266864-4	SHOULDER HEX. BOLT M6X25		2		154		
097	267817-6	WASHER 8		2		154		
098	126135-0	CLUTCH ASSEMBLY		1		100		
D10		INC. 99,100						

Model No. EN4950H PETROL POLE HEDGE TRIMMER

Item	Parts No.	Description	I/C	QTY	N/O	Opt. 1	Opt. 2	NOTE
099	168498-8	CLUTCH SHOE		2	*	100		
099-1	161332-1	CLUTCH SHOE	O	2				
100	231881-3	TENSION SPRING 7		1		100		
101	267812-6	WASHER 6		2		100		
102	264039-9	CONED DISK SPRING HEXNUT M8-13		1	*	100		
102-1	264039-9	CONED DISK SPRING HEXNUT M8-13	<	1		100		
103	318569-3	FLYWHEEL		1		100		
104	444021-6	TUBE		1				
105	266602-4	HEX. SOCKET HEAD BOLT M4X20		2		100		
106	452049-0	SPACER		2		100		
107	168559-4	IGNITION COIL		1		100		
108	268238-5	PIN 5		1		100		
109	125552-1	CAM GEAR ASSEMBLY		1		100		
110	313169-4	CAM LIFTER		2		154		
112	268239-3	PIN 4		1		100		
113	162274-2	CAM GEAR COVER GASKET		1		154		
114	318443-5	CAM GEAR COVER		1		154		
115	922222-1	HEX. SOCKET HEAD BOLT M5X16		3		100		
116	135478-9	CYLINDER BLOCK ASSEMBLY		1	*	100		
D10		INC. 117			*			
116-1	135478-9	CYLINDER BLOCK ASSEMBLY	<	1		100		
D10		INC. 88,117,118						
117	922222-1	HEX. SOCKET HEAD BOLT M5X16		6		100		
118	424201-0	CHECK VALVE		2		154		
119	346331-6	MUFFLER GASKET		1		100		
120	168554-4	EXHAUST MUFFLER		1		100		
121	266440-4	HEX SOCKET HEAD BOLT M5X40		2		100		
122	168483-1	PULLEY		1		100		
123	451731-8	MUFFLER PLATE		1		100		
124	922218-2	H.S.H.BOLT M5X14 WITH WR		1		100		
125	638707-4	LEAD UNIT		1		100		
126	638708-2	LEAD UNIT		1		100		
128	922218-2	H.S.H.BOLT M5X14 WITH WR		1		100		
129	453266-5	CYLINDER COVER		1		100		
130	922218-2	H.S.H.BOLT M5X14 WITH WR		1		100		
131	424082-2	BUFFER RUBBER		1		100		
132	922211-6	HEX. SOCKET HEAD BOLT M5X12		1		100		
133	922226-3	HEX. SOCKET HEAD BOLT M5X18		2		100		
134	318249-1	PIPE HOLDER		1		100		
135	318250-6	PIPE HOLDER		1		154		
136	424083-0	BUFFER RUBBER		1		100		
137	424200-2	SPACER		2		154		
138	234108-0	COMPRESSION SPRING 9		2		154		
140	325669-2	EXHAUST VALVE		1	*	154		
140-1	326366-3	EXHAUST VALVE	O	1				
143	325670-7	INTAKE VALVE		1	*	154		
143-1	326367-1	INTAKE VALVE	O	1				
144	195145-8	PISTON RING SET		1		154		

Model No. EN4950H PETROL POLE HEDGE TRIMMER

Item	Parts No.	Description	I/C	QTY	N/O	Opt. 1	Opt. 2	NOTE
147	318441-9	PISTON		1		100		
148	254040-2	WOODRUFF KEY 3		1		100		
149	126359-8	CRANK SHAFT ASSEMBLY		1	*	100		
D10		INC. 150-152			*			
149-1	123774-7	CRANK SHAFT ASSEMBLY	<	1				
D10		INC. 150-152						
150	213148-1	OIL SEAL 10		1	*	100		
150-1	213769-9	OIL SEAL 10	<	1		100		
151	267400-9	FLAT WASHER 23		1		100		
152	213147-3	OIL SEAL 12		1	*	100		
152-1	213089-1	OIL SEAL 12	<	1				
153	257781-9	PISTON PIN		1		100		
154	233976-8	CLIP		2		154		
155	162345-5	OIL CASE GASKET		1		100		
156	346083-9	LEAD VALVE		1		154		
157	318910-0	RETAINER PLATE		1		100		
158	922112-8	HEX. SOCKET HEAD BOLT M4X10		1		100		
159	318588-9	OIL CASE		1		100		
160	922222-1	HEX. SOCKET HEAD BOLT M5X16		4		100		
161	424344-8	DAMPER		1		100		
162	346305-7	GASKET		1		100		
163	266611-3	HEX BOLT M6X8		1		100		
164	213548-5	O-RING 20		1		100		
165	325665-0	JOINT PIPE		1		100		
166	282020-8	HOSE CLAMP		1	*	154		
166-1	282020-8	HOSE CLAMP	O	1		154		
167	325666-8	OIL WEIGHT		1	*	154		
167-1	325666-8	OIL WEIGHT	O	1		154		
168	424301-6	OIL TUBE		1	*			
168-1	125805-8	OIL TUBE ASSEMBLY	S	1				
C10	424301-6	OIL TUBE		1				
D10		INC. 166,167						
169	452047-4	OIL CAP		1		100		
170	424343-0	GASKET		1		100		
171	452048-2	OIL PIPE		1				
172	922218-2	H.S.H.BOLT M5X14 WITH WR		2		100		
173	125728-0	FUEL TANK CAP ASSEMBLY		1		100		
175	168755-4	TUBE COMPLETE		1		100		
176	282020-8	HOSE CLAMP		1		154		
177	163518-3	GASOLINE FILTER		1				
178	451736-8	FUEL TANK		1		100		
179	424080-6	BUFFER RUBBER		2		100		
180	424081-4	BUFFER RUBBER		1		100		
181	451737-6	TANK GUARD		1		100		
182	922218-2	H.S.H.BOLT M5X14 WITH WR		4		100		
183	195308-6	RECOIL STARTER SET		1		100		
D10		INC. 122,184,185,187-193						
184	424319-7	STARTER KNOB		1		154		

Item	Parts No.	Description	I/C	QTY	N/O	Opt. 1	Opt. 2	NOTE
185	424359-5	DAMPER		1		100		
187	266585-8	TAPPING SCREW 5X12		1		154		
188	325923-4	SWING ARM		1		100		
189	451938-6	COLLAR		1		100		
190	451937-8	REEL		1		100		
191	232258-5	SPIRAL SPRING		1		154		
192	444023-2	STARTER ROPE		1		100		
193	451733-4	STARTER CASE		1		100		
194	922223-9	H.S.H.BOLT M5X16 WITH WR		4		100		
196	816565-0	MAKITA LOGO LABEL		1		100		
197	168762-7	CARBURETOR		1		100		
D10		INC. 198-207,209-214						
198	325922-6	SWIVEL		1		154		
199	413140-9	WASHER		1		100		
200	266581-6	PAN HEAD SCREW M3X8 WITH W		2	*	100		
200-1	WJ00096364	SCREW M3X8 WITH WASHER	O	2		154		
201	257964-1	STOP RING E-3		1		154		
202	213538-8	O RING 2		1		154		
203	325985-2	JET		1		100		
204	234183-6	CONICAL COMPRESSION SPRING 5-9		1		154		
205	442155-9	PUMP GASKET		1		154		
206	168575-6	PUMP DIAPHRAGM		1	*	154		
206-1	WJ00009599	PUMP DIAPHRAGM	O	1		154		
207	141737-1	PUMP BODY		1		100		
D10		INC. 208						
208	352021-1	INLET SCREEN		1		100		
209	442154-1	METERING DIAPHRAGM GASKET		1		154		
210	168620-7	METERING DIAPHRAGM		1		100		
211	140438-8	AIR PURGE BODY		1		154		
212	424314-7	PRIMER PUMP		1		154		
213	346270-0	PRIMER PUMP COVER		1		154		
214	266582-4	TAPPING SCREW 3X24		4		100		
215	810455-9	CAUTION PLATE		1		154		
216	800F73-7	INDICATION LABEL		1		100		
217	941151-9	FLAT WASHER 6		1		100		
218	443170-6	FELT		1		100		
222	808723-2	CAUTION LABEL		1		100		
223	266427-6	TAPPING SCREW 4X12		1		100		
224	452219-1	CHOKE PLATE		1		100		
231	452220-6	CHOKE LEVER		1		100		
232	266007-8	TAPPING SCREW BIND PT 3X10		1		100		
233	352020-3	SEPARATOR MESH		1		100		
234	453865-3	SEPARATOR CASE		1		100		
235	453862-9	OIL CASE PLATE		1		100		
236	346732-8	PLATE		1		100		
237	266887-2	H.L. SOCKET HEAD BOLT M4X17		1	*	100		
237-1	266927-6	H.L. SOCKET HEAD BOLT M4X20	S	1				
238	442199-9	GASKET		1		154		

Item	Parts No.	Description	I/C	QTY	N/O	Opt. 1	Opt. 2	NOTE
239	931102-0	HEX. NUT M4		1		100		
240	346730-2	HOLDER		1	*	100		
240-1	346730-2	HOLDER	S	1		100		
251	266817-3	H.S. BUTTON HEAD BOLT M6X85		1		100		
252	232279-7	CONED DISC SPRING 6		1		100		
253	941151-9	FLAT WASHER 6		1		100		
254	266818-1	HEX. SOCKET HEX. BOLT M8X8		1		100		
255	318969-7	JOINT		1		100		
256	227604-5	SPIRAL BEVEL GEAR 9		1		100		
257	211032-4	BALL BEARING 608ZZ		1		100		
258	211032-4	BALL BEARING 608ZZ		1		100		
259	962102-9	RETAINING RING R-22		1		100		
260	310534-8	CAM A		1		100		
261	310535-6	CAM B		1		100		
262	922126-7	HEX. SOCKET HEAD BOLT M4X16		2		100		
263	313254-3	HOLDER PLATE		1		100		
264	961011-9	STOP RING E-4		2		100		
265	346657-6	SLIDE PLATE		1		100		
266	231297-2	COMPRESSION SPRING 9		1		100		
267	962103-7	RETAINING RING R-24		1		155		
268	961005-4	RETAINING RING S-9		1		100		
269	210049-4	BALL BEARING 609ZZ		1		154		
270	142000-5	SPINDLE COMPLETE		1		100		
271	326256-0	ROD 5		2	*	100		
271-1	326812-6	ROD 5	<	2				
272	233117-6	COMPRESSION SPRING 6		2		100		
273	187575-7	SLIDE LEVER SET		1		100		
D10		INC. 280						
274	454249-8	COVER		1		100		
275	265493-0	HEX. SOCKET HEAD BOLT M4X20		4		100		
276	961011-9	STOP RING E-4		2		100		
277	318970-2	PIPE HOLDER		1		154		
278	922223-9	H.S.H.BOLT M5X16 WITH WR		1		100		
279	922241-7	HEX. SOCKET HEAD BOLT M5X25		1		100		
280	187575-7	SLIDE LEVER SET		1		100		
D10		INC. 273						
281	265995-6	TAPPING SCREW 4X18		2		100		
282	454248-0	GRIP		1	*	100		
282-1	456369-4	GRIP	S	1				
283	922128-3	HEX. SOCKET HEAD BOLT M4X16		1	*	100		
283-1	911516-9	PAN HEAD SCREW M4X12	S	2		100		
284	252190-7	HEX.LOCK NUT M6-10		1		100		
285	266818-1	HEX. SOCKET HEX. BOLT M8X8		1		100		
286	267467-7	FLAT WASHER 36		1		100		
287	922126-7	HEX. SOCKET HEAD BOLT M4X16		2		100		
288	961006-2	RETAINING RING S-10		1		100		
289	227605-3	SPIRAL BEVEL GEAR 22		1		100		
290	310533-0	ANGULAR PLATE		1		100		

Model No. EN4950H PETROL POLE HEDGE TRIMMER

Item	Parts No.	Description	I/C	QTY	N/O	Opt. 1	Opt. 2	NOTE
291	211148-5	BALL BEARING 6001ZZ		1		100		
292	211148-5	BALL BEARING 6001ZZ		1		100		
293	227606-1	SPIRAL BEVEL GEAR 11		1		100		
294	142018-6	GEAR HOUSING COMPLETE		1	*	100		
294-1	143500-8	GEAR HOUSING COMPLETE	S	1				
295	227607-9	SPIRAL BEVEL GEAR 12		1		100		
296	211062-5	BALL BEARING 6000ZZ		1		100		
297	211062-5	BALL BEARING 6000ZZ		1		100		
298	962105-3	RETAINING RING R-26		1		100		
299	227317-8	SPUR GEAR 24		1		100		
300	961004-6	RETAINING RING S-8		1		100		
301	346658-4	PLATE		1		100		
302	346251-4	CONNECTING ROD		1		154		
303	227248-1	SPUR GEAR 43		1		154		
304	346251-4	CONNECTING ROD		1		154		
305	346256-4	HOLDER		1		154		
306	922241-7	HEX. SOCKET HEAD BOLT M5X25		2		100		
307	443159-4	SEAL		1		154		
308	346658-4	PLATE		1		100		
309	423458-0	GASKET		1		154		
310	318968-9	UNDER COVER		1		100		
311	922126-7	HEX. SOCKET HEAD BOLT M4X16		6		100		
312	332058-4	GUIDE BAR		1		100		
313	264089-4	HEX. LOCK NUT M6-10		4		100		
314	346665-7	PLATE		1		100		
315	725187-4	SHEAR BLADE		1				
316	313211-1	SLEEVE 5		2		100		
317	725187-4	SHEAR BLADE		1				
318	346665-7	PLATE		1		100		
319	266824-6	H.S. BUTTON HEAD BOLT M6X20		4		100		
320	346629-1	END COVER		1		154		
321	266075-1	HEX. SOCKET HEAD BOLT M5X6		1		100		
A01	125516-5	BAND ASSEMBLY		1				
A02	195500-4	OIL SET		1	*			
A02-1	197007-6	OIL SET	O	1				
A03	195626-2	LOOP HANDLE SET		1		100		
C10	346467-1	CLAMP 24		1	*	100		
C11	347094-7	CLAMP 24	O	1				
C20	346468-9	CLAMP 33		1		100		
C30	452843-0	CLAMP COVER B		1		100		
C40	922243-3	HEX. SOCKET HEAD BOLT M5X25		2		100		
A04	782233-6	BOX DRIVER 10-16		1				
A05	783223-2	HEX. WRENCH 4		1				
A06	454279-9	BLADE COVER		1				
A07	831304-7	ACCESSORY BAG		1				
A08	195246-2	SAFETY GOGGLE		1				