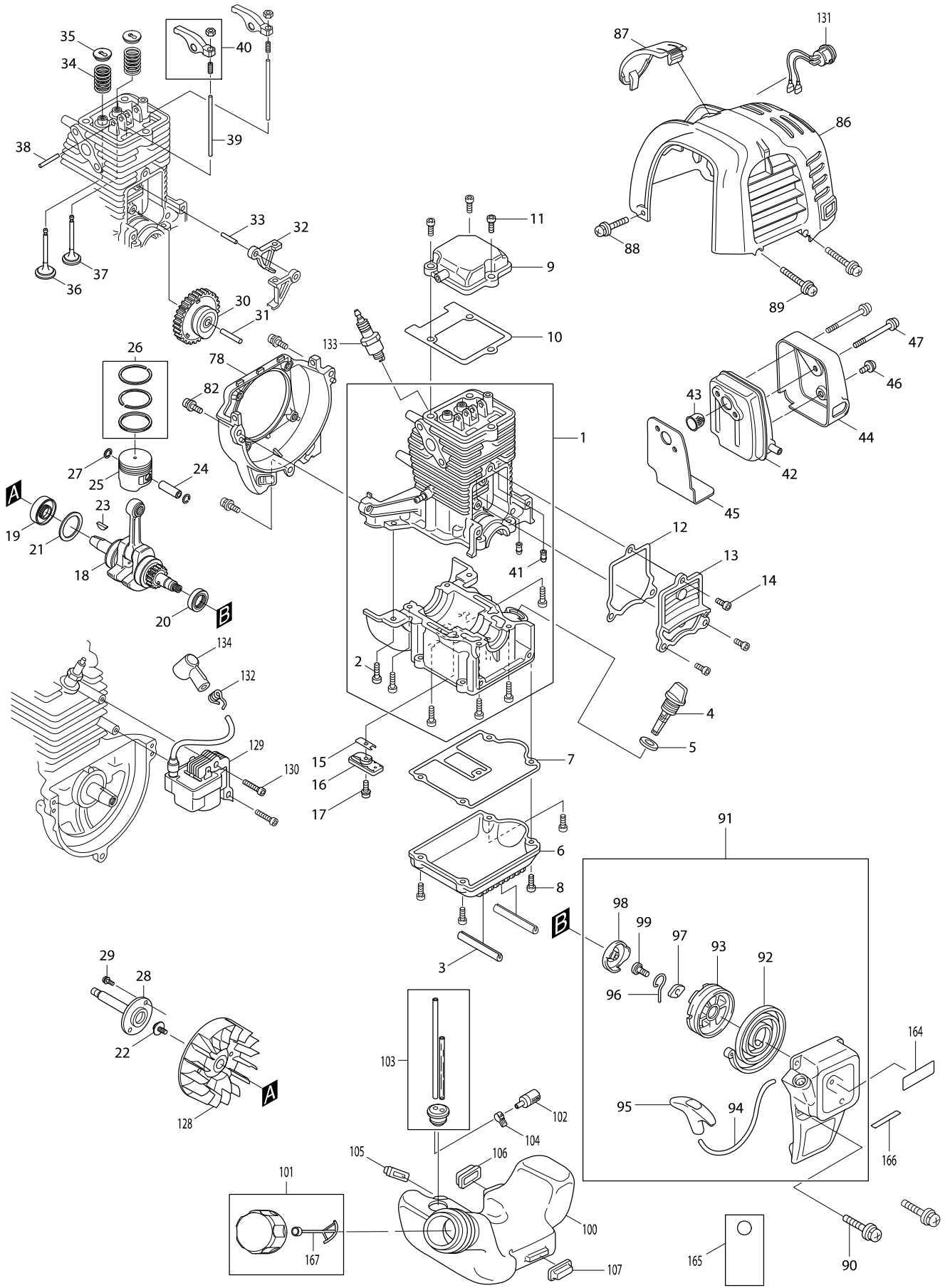
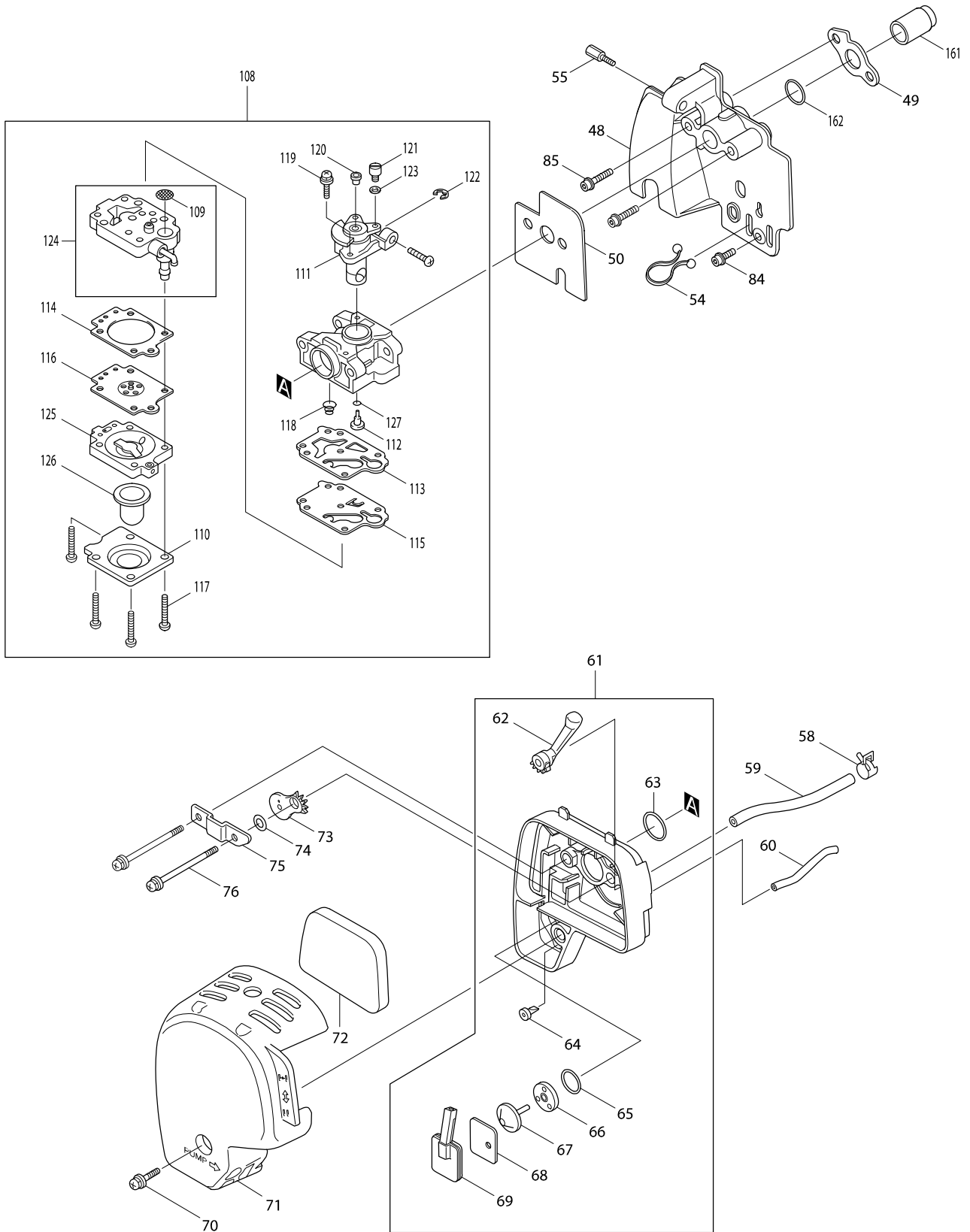


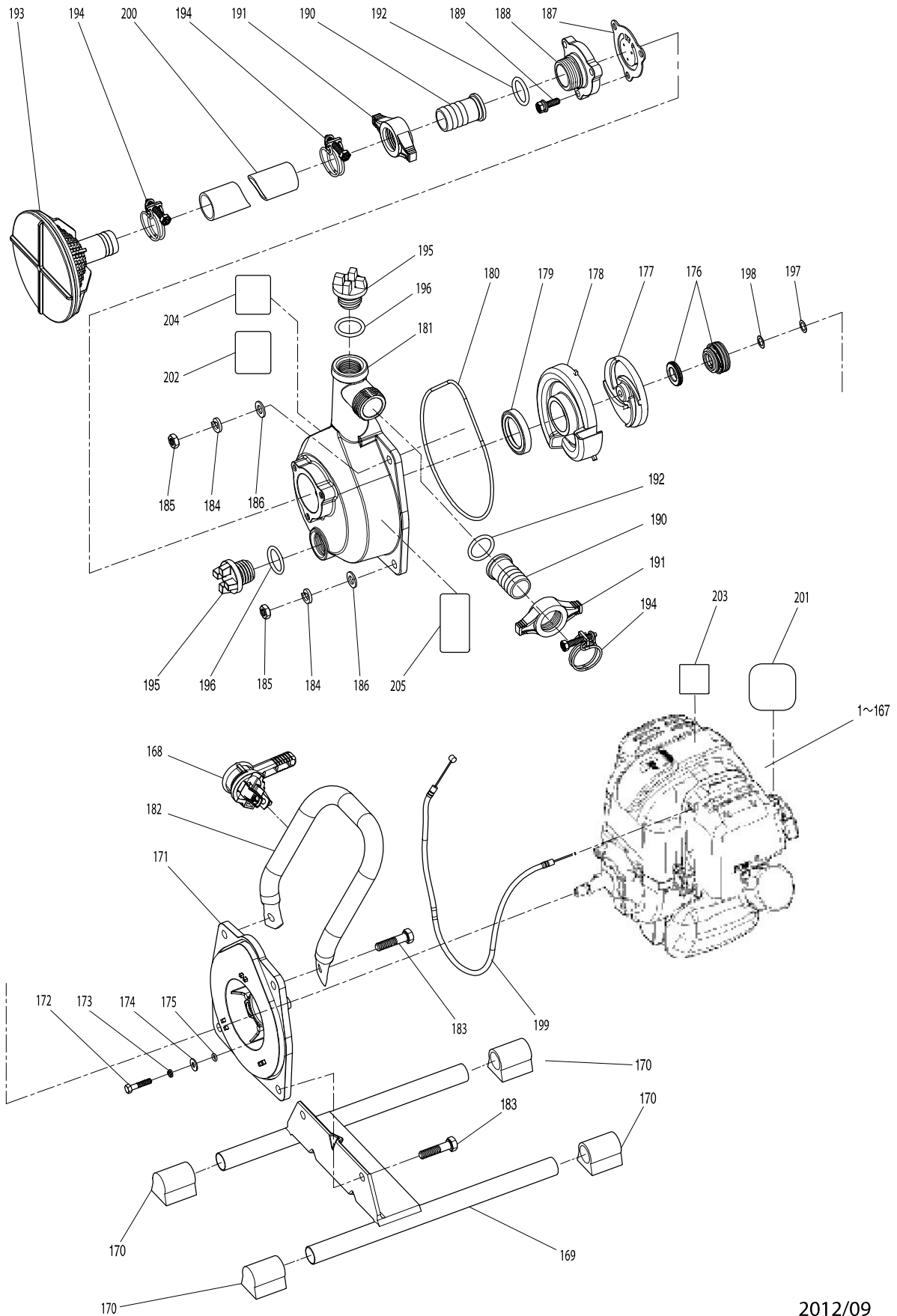
# Model No. EW1050H ENGINE PUMP



# Model No. EW1050H ENGINE PUMP



# Model No. EW1050H ENGINE PUMP



2012/09  
EW1050H 3/3

# Model No. EW1050H ENGINE PUMP

Item	Parts No.	Description	I/C	QTY	N/O	Opt. 1	Opt. 2	NOTE
001	135562-0	CYLINDER BLOCK ASSEMBLY		1		154		
D10		INC. 2,41						
002	922217-4	HEX. SOCKET HEAD BOLT M5X14		8		100		
003	424530-1	OIL CASE GUARD		2		100		
004	450565-6	OIL GAUGE		1		154		
005	424100-6	GASKET		1		154		
006	318442-7	OIL CASE		1		154		
007	162276-8	CASE GASKET		1		154		
008	922217-4	HEX. SOCKET HEAD BOLT M5X14		4		100		
009	140023-7	ROCKER COVER COMPLETE		1		154		
010	162275-0	ROCKER COVER GASKET		1		154		
011	922222-1	HEX. SOCKET HEAD BOLT M5X16		3		100		
012	162274-2	CAM GEAR COVER GASKET		1		154		
013	318443-5	CAM GEAR COVER		1		154		
014	922217-4	HEX. SOCKET HEAD BOLT M5X14		3		100		
015	346083-9	LEAD VALVE		1		154		
016	318440-1	RETAINER PLATE		1		154		
017	922111-0	HEX. SOCKET HEAD BOLT M4X10		1	*	100		
017-1	922112-8	HEX. SOCKET HEAD BOLT M4X10	<	1		100		
018	126299-0	CRANK SHAFT ASSEMBLY		1		154		
019	213147-3	OIL SEAL 12		1	*	100		
019-1	213089-1	OIL SEAL 12	<	1				
020	213148-1	OIL SEAL 10		1	*	100		
020-1	213769-9	OIL SEAL 10	<	1		100		
021	267400-9	FLAT WASHER 23		1		100		
022	265577-4	HEX HEAD BOLT M6X16		1		100		
023	254040-2	WOODRUFF KEY 3		1		100		
024	257781-9	PISTON PIN		1		100		
025	318441-9	PISTON		1		100		
026	195145-8	PISTON RING SET		1	*	154		
026-1	196595-0	PISTON RING SET	O	1				
027	233976-8	CLIP		2		154		
028	326223-5	SHAFT		1		100		
029	911323-0	PAN HEAD SCREW M6X16		2		100		
030	125552-1	CAM GEAR ASSEMBLY		1		100		
031	268238-5	PIN 5		1		100		
032	313169-4	CAM LIFTER		2		154		
033	268239-3	PIN 4		1		100		
034	234108-0	COMPRESSION SPRING 9		2		154		
035	325668-4	SPRING RETAINER		2		154		
036	325670-7	INTAKE VALVE		1	*	154		
036-1	326367-1	INTAKE VALVE	O	1				
037	325669-2	EXHAUST VALVE		1	*	154		
037-1	326366-3	EXHAUST VALVE	O	1				
038	256200-2	PIN 5		1		100		
039	256865-0	ROD 2.5		2		154		
040	125554-7	ROCKER ARM ASSEMBLY		2		100		
041	424200-2	SPACER		2		154		

# Model No. EW1050H ENGINE PUMP

Item	Parts No.	Description	I/C	QTY	N/O	Opt. 1	Opt. 2	NOTE
042	168469-5	EXHAUST MUFFLER		1	154			
043	324980-9	SPARK ARRESTER		1	154			
044	345915-7	MUFFLER COVER		1	154			
045	345916-5	MUFFLER GASKET		1	154			
046	265184-3	+TRUSS HEAD SCREW M5X5		1	100			
047	266440-4	HEX SOCKET HEAD BOLT M5X40		2	100			
048	450559-1	INSULATOR		1	154			
049	413120-5	INSULATOR GASKET		1	154			
050	413121-3	CARBURETOR GASKET		1	154			
054	450562-2	CLAMP		1	154			
055	325934-9	ADJUST SCREW		1	154			
058	345918-1	HOSE CLAMP		1	154			
059	422041-0	BREATHER PIPE		1	154			
060	422042-8	PIPE		1	154			
061	125468-0	CLEANER PLATE ASSEMBLY		1	154			
D10		INC. 62-69						
062	451925-5	CHOKE LEVER		1	154			
063	213540-1	O RING 15		1	154			
064	424316-3	CHECK VALVE		1	154			
065	213539-6	O RING 14		1	154			
066	451924-7	CHECK VALVE PLATE		1	154			
067	424315-5	CHECK VALVE		1	154			
068	168577-2	SEPARATOR GASKET		1	154			
069	168576-4	SEPARATOR PLATE		1	154			
070	911218-7	PAN HEAD SCREW M5X14		1	100			
071	450561-4	AIR CLEANER COVER		1	154			
072	443141-3	AIR CLEANER ELEMENT		1	154			
073	450560-6	CHOKE PLATE		1	154			
074	423376-2	GASKET		1	154			
075	345919-9	PLATE		1	154			
076	265188-5	+PAN HEAD SCREW M5X68		2	100			
078	141766-4	BLOWER HOUSING COMPLETE		1	100			
082	922223-9	H.S.H.BOLT M5X16 WITH WR		3	100			
084	922213-2	H.S.H.BOLT M5X12 WITH WR		1	100			
085	922228-9	H.S.H.BOLT M5X18 WITH WR		2	100			
086	450564-8	CYLINDER COVER		1	100			
087	452144-6	PLUG COVER		1	154			
088	911213-7	PAN HEAD SCREW M5X12		2	100			
089	911128-8	P.H.SCREW M4X16 WITH WR		2	100			
090	911128-8	P.H.SCREW M4X16 WITH WR		2	100			
091	195146-6	RECOIL STARTER SET		1	100			
D10		INC. 92-99						
092	232258-5	SPIRAL SPRING		1	154			
093	451937-8	REEL		1	100			
094	444019-3	STARTER ROPE		1	100			
095	424319-7	STARTER KNOB		1	154			
096	325923-4	SWING ARM		1	100			
097	451938-6	COLLAR		1	100			

# Model No. EW1050H ENGINE PUMP

Item	Parts No.	Description	I/C	QTY	N/O	Opt. 1	Opt. 2	NOTE
098	168483-1	PULLEY		1		100		
099	266585-8	TAPPING SCREW 5X12		1		154		
100	450566-4	FUEL TANK		1		154		
101	125472-9	FUEL TANK CAP ASSEMBLY		1		154		
D10		INC. 167						
102	163447-0	FUEL FILTER		1	*	154		
102-1	163447-0	FUEL FILTER	O	1		154		
103	168472-6	TUBE COMPLETE		1		154		
104	345920-4	HOSE CLAMP		1		154		
105	424102-2	PLATE		1		154		
106	424103-0	PLATE		1		154		
107	424104-8	DAMPER		1		154		
108	168781-3	CARBURETOR		1		100		
D10		INC. 110,113-119,121-127						
109	352010-6	INLET SCREEN		1	*	154		
109-1	WJ00014070	INLET SCREEN	O	1		154		
110	346270-0	PRIMER PUMP COVER		1		154		
113	442155-9	PUMP GASKET		1		154		
114	442154-1	METERING DIAPHRAGM GASKET		1		154		
115	168575-6	PUMP DIAPHRAGM		1	*	154		
115-1	WJ00009599	PUMP DIAPHRAGM	O	1		154		
116	168574-8	METERING DIAPHRAGM		1	*	154		
116-1	WJ00963279	SCREW	O	1	*			
116-2	WJ00095586	DIAPHRAGM ASS'Y	X	1		154		
117	266582-4	TAPPING SCREW 3X24		4		100		
118	234183-6	CONICAL COMPRESSION SPRING 5-9		1		154		
119	266581-6	PAN HEAD SCREW M3X8 WITH W		2	*	100		
119-1	WJ00096364	SCREW M3X8 WITH WASHER	O	2		154		
121	325922-6	SWIVEL		1		154		
122	257964-1	STOP RING E-3		1		154		
123	413140-9	WASHER		1		100		
124	140437-0	PUMP BODY		1		100		
125	140438-8	AIR PURGE BODY		1		154		
126	424314-7	PRIMER PUMP		1		154		
127	213538-8	O RING 2		1		154		
128	318702-7	FLYWHEEL		1	*	100		
128-1	319205-4	FLYWHEEL	O	1				
129	168501-5	IGNITION COIL		1	*	154		
129-1	168816-0	IGNITION COIL	S	1				
130	266602-4	HEX. SOCKET HEAD BOLT M4X20		2		100		
131	126240-3	STOP SWITCH ASSEMBLY		1	*	100		
131-1	141794-9	STOP SWITCH COMPLETE	S	1				
132	324891-8	PLUG CAP SPRING		1		100		
133	168401-9	SPARK PLUG		1		100		
134	424105-6	PLUG CAP		1		154		
161	324961-3	INTAKE PIPE		1		154		
162	213078-6	O-RING 10		1		100		
163	424201-0	CHECK VALVE		2		154		

# Model No. EW1050H ENGINE PUMP

Item	Parts No.	Description	I/C	QTY	N/O	Opt. 1	Opt. 2	NOTE
164	806902-6	GAS EMISSION APPROVAL LABEL		1	*	154		
164-1	806902-6	GAS EMISSION APPROVAL LABEL	O	1		154		
165	819430-2	CAUTION TAG		1		154		
166	897794-4	SERIAL NO. LABEL		1		100		
167	140436-2	STRAP COMPLETE		1				
168	ME08121070	REFUELING HANDLE GROUP		1		154		
169	ME00204835	SHELF GROUP		1		154		
170	ME01676311	RUBBER FEET		4		154		
171	ME08121002	PUMP FRAME		1		154		
172	ME01676313	HEXAGON BOLT		4		154		
173	ME00200115	WAD		4		154		
174	ME01676314	GASKET		4		154		
175	ME01676315	O-RING		4		154		
176	ME00200486	MECHANICAL OIL SEAL		1		154		
177	ME08121003	IMPELLER		1		154		
178	ME08121004	VOLUTE		1		154		
179	ME01676319	SEAL RING		1		154		
180	ME01676320	O-RING		1		154		
181	ME08121005	PUMP CASING		1		154		
182	ME08121006	HANDLE		1		100		
183	ME00200116	HEXAGON BOLT		4		100		
184	ME00200117	WAD		4		100		
185	ME01676323	HEXAGON NUT		4		100		
186	ME00200091	FLAT GASKET		4		154		
187	ME08121007	VALVE		1		154		
188	ME08121008	TUBE JOINT BOLT		1		154		
189	ME00200011	HEXAGON BOLT		3		154		
190	ME01676327	TUBE JOINT CORE		2		154		
191	ME08121009	LOCKNUT		2		154		
192	ME08121044	SEAL RING		2		154		
193	ME01689268	STRAINER GROUP		1		154		
194	ME01676330	HOOP		3		154		
195	ME01676331	WATER BLOCK		2		154		
196	ME01676329	O-RING		2		154		
197	ME01676333	GASKET		99		154		
198	ME01676334	GASKET		99		154		
199	ME08121010	REFUELING WINDING		1		154		
200	ME01676336	SUCTION PIPE		1		154		
201	ME08121001	NOTE LABEL		1		100		
202	ME08121012	NOTE LABEL		1		100		
203	ME08121030	NOTE LABEL		1		100		
204	ME08121035	NOTE LABEL		1		100		
205	ME03333192	NOTE LABEL		1		100		
206	632B57-1	LEAD UNIT	S	2				
A01	ME08121017	SOCKET WRENCH		1		100		
A02	ME08121040	RAPID JOINT GROUP		1	*	100		
D10		INC. A03,A04			*			
A02-1	ME08121040	RAPID JOINT GROUP	<	2		100		

