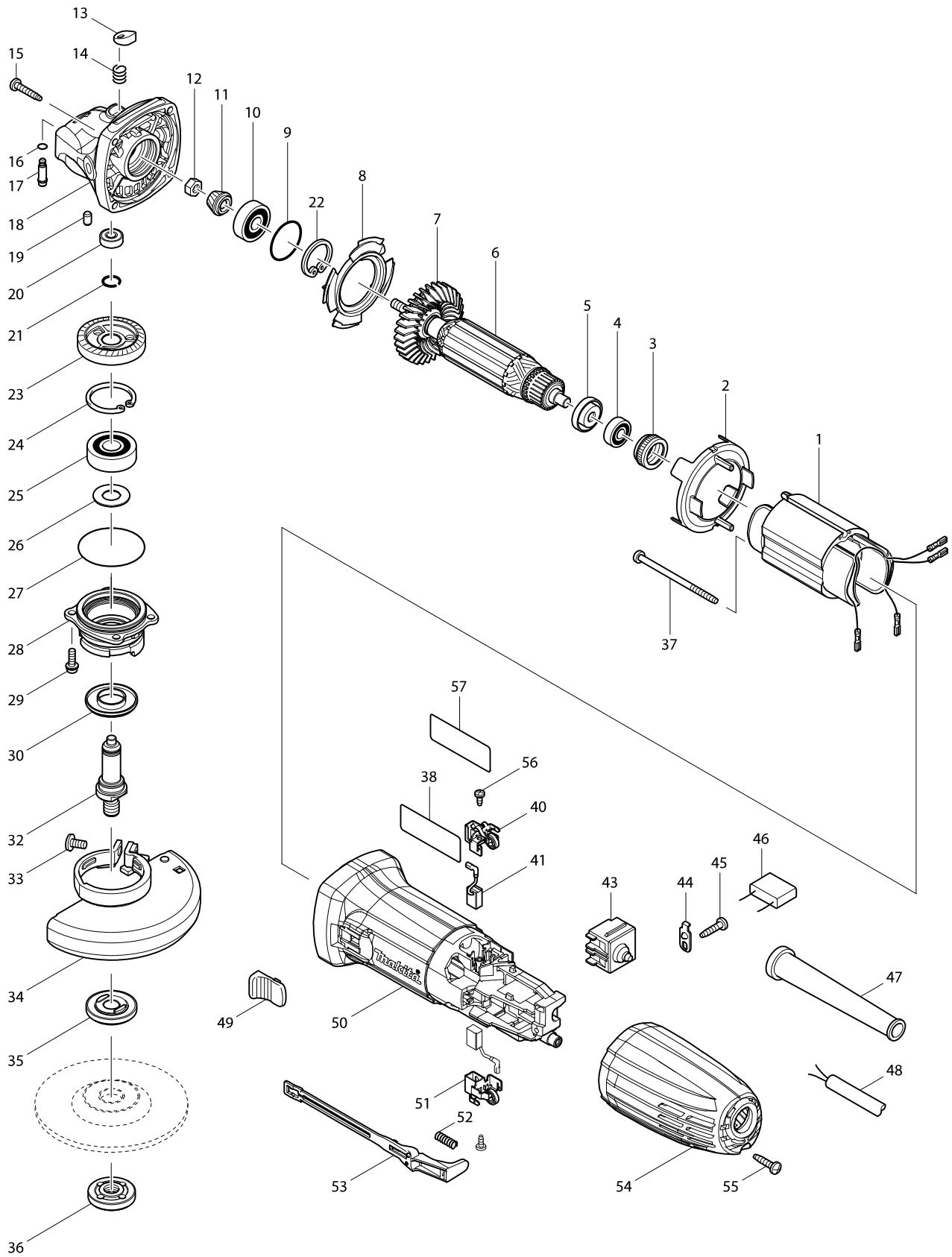


Model No. GA4030 100MM ANGLE GRINDER



Model No. GA4030 100MM ANGLE GRINDER

Item	Parts No.	Description	I/C	QTY	N/O	Opt. 1	Opt. 2	NOTE
001A	623531-8	FIELD 115V		1	*	152		
001B	623533-4	FIELD 220-240V		1	*	152		
001-1A	635111-8	FIELD 115V	O	1		152		
001-1B	635113-4	FIELD 220-240V	O	1		152		
002	450796-7	BAFFLE PLATE		1		100		
003	421868-5	LABYRINTH RUBBER RING 19		1		100		
004	210034-7	BALL BEARING 607LLB		1		100		
005	681636-0	INSULATION WASHER		1		100		
D10		INC. 4,5,7						
006A	517646-0	ARMATURE ASS'Y 115V		1		151		
006B	517649-4	ARMATURE ASS'Y 240V		1		151		
007	240107-2	FAN 56		1	*	154		
007-1	240139-9	FAN 56	O	1		154		
008	413126-3	GUIDE PLATE		1		100		
009	213445-5	O-RING 26		1		100		
010	211092-6	BALL BEARING 629DDW		1		100		
011	227545-5	SPIRAL BEVEL GEAR 10		1		154		
012	252186-8	HEX. NUT M6		1		100		
013	417771-6	PIN CAP		1		100		
014	234057-1	COMPRESSION SPRING 8		1		100		
015	266324-6	TAPPING SCREW 4X22		4		100		
016	213960-9	O RING 5		1	*	100		
016-1	213032-0	O RING 4	<	1		100		
017	256510-7	SHOULDER PIN 4		1		100		
018	318335-8	GEAR HOUSING		1		100		
019	263002-9	RUBBER PIN 4		1		100		
020	210033-9	BALL BEARING 696ZZ		1		100		
021	233950-6	RING SPRING 11		1		100		
022	962105-3	RETAINING RING R-26		1		100		
023	227546-3	SPIRAL BEVEL GEAR 37		1		154		
024	962151-6	RETAINING RING R-32		1		100		
025	211129-9	BALL BEARING 6201DDW		1		100		
026	267113-2	FLAT WASHER 12		1		100		
027	213561-3	O RING 42		1		155		
028	318336-6	BEARING BOX		1		100		
029	265099-4	PAN HEAD SCREW M4X14		4		100		
030	345464-4	LABYRINTH RING		1		100		
032	324956-6	SPINDLE		1		100		
033	265180-1	PAN HEAD SCREW M5X16		1		100		
034	135238-9	WHEEL COVER 100K ASS'Y		1	*	100		
D10		INC. 33			*			
034-1	122885-5	WHEEL COVER 100K ASS'Y	<	1	*	100		
C10	213009-5	O RING 4		1	*	100		
D10		INC. 33			*			
034-2	125885-4	WHEEL COVER 100AK ASS'Y	<	1		100		
C10	213009-5	O RING 4		1		100		
D10		INC. 33						
035	224314-5	INNER FLANGE 30		1		100		

Model No. GA4030 100MM ANGLE GRINDER

Item	Parts No.	Description	I/C	QTY	N/O	Opt. 1	Opt. 2	NOTE
036	224559-5	LOCK NUT 10-30		1		100		
037	266325-4	TAPPING SCREW 4X70		2		100		
038	866033-3	GA4030 NAME PLATE		1		100		
040	643839-4	BRUSH HOLDER 6X9		1		100		
041	194722-3	CARBON BRUSH CB-459		1		100		
043	650560-8	SWITCH DPX-2110-R		1		100		
044	687682-1	STRAIN RELIEF		1		100		
045	266326-2	TAPPING SCREW 4X18		1		100		
046	645200-1	NOISE SUPPRESSOR		1	*	100		
046-1	638739-1	CAPACITOR UNIT	S	1		100		
047	682566-8	CORD GUARD 10		1		100		
048A	665918-8	POWER SUPPLY CORD 1.0-2-2.5		1		100		
048B	692527-0	POWER SUPPLY CORD 1.0-2-2.5		1		100		
049	419566-3	SWITCH KNOB		1		100		
050	450795-9	MOTOR HOUSING		1	*	100		
050-1	451128-1	MOTOR HOUSING	<	1		100		
051	643839-4	BRUSH HOLDER 6X9		1		100		
052	233121-5	COMPRESSION SPRING 4		1		100		
053	450797-5	SWITCH LEVER		1		100		
054	450794-1	REAR COVER		1	*	100		
054-1	456381-4	REAR COVER	O	1				
055	266326-2	TAPPING SCREW 4X18		1		100		
056	265954-0	TAPPING SCREW BIND PT3X8		2	*	100		
056-1	266492-5	TAPPING SCREW 3X8	O	2		100		
057	819327-5	CLEAR LABEL		1	*	100		
057-1	891976-0	CLEAR LABEL		1	*	100		
057-2	806E99-1	CLEAR LABEL	O	1				
A01	153504-2	GRIP 36 COMPLETE		1	*			
A01-1	153489-2	GRIP 36 COMPLETE	O	1				
A02	782420-7	LOCK NUT WRENCH 20		1				
A04	A-80852	GRINDING WHEEL 100X6X16		1	*			
A04-1	A-80905	GRINDING WHEEL 100X4X16(A36P)	O	1				
E01A	655030-2	PLUG UK TYPE 16A-4H/110V		1				
E01B	806397-3	SAFETY INSTRUCTION LABEL		1		100		
E02A	654091-9	NON-INSULATED TERMINAL1.25-2AF		2		100		
E03A	806397-3	SAFETY INSTRUCTION LABEL		1		100		