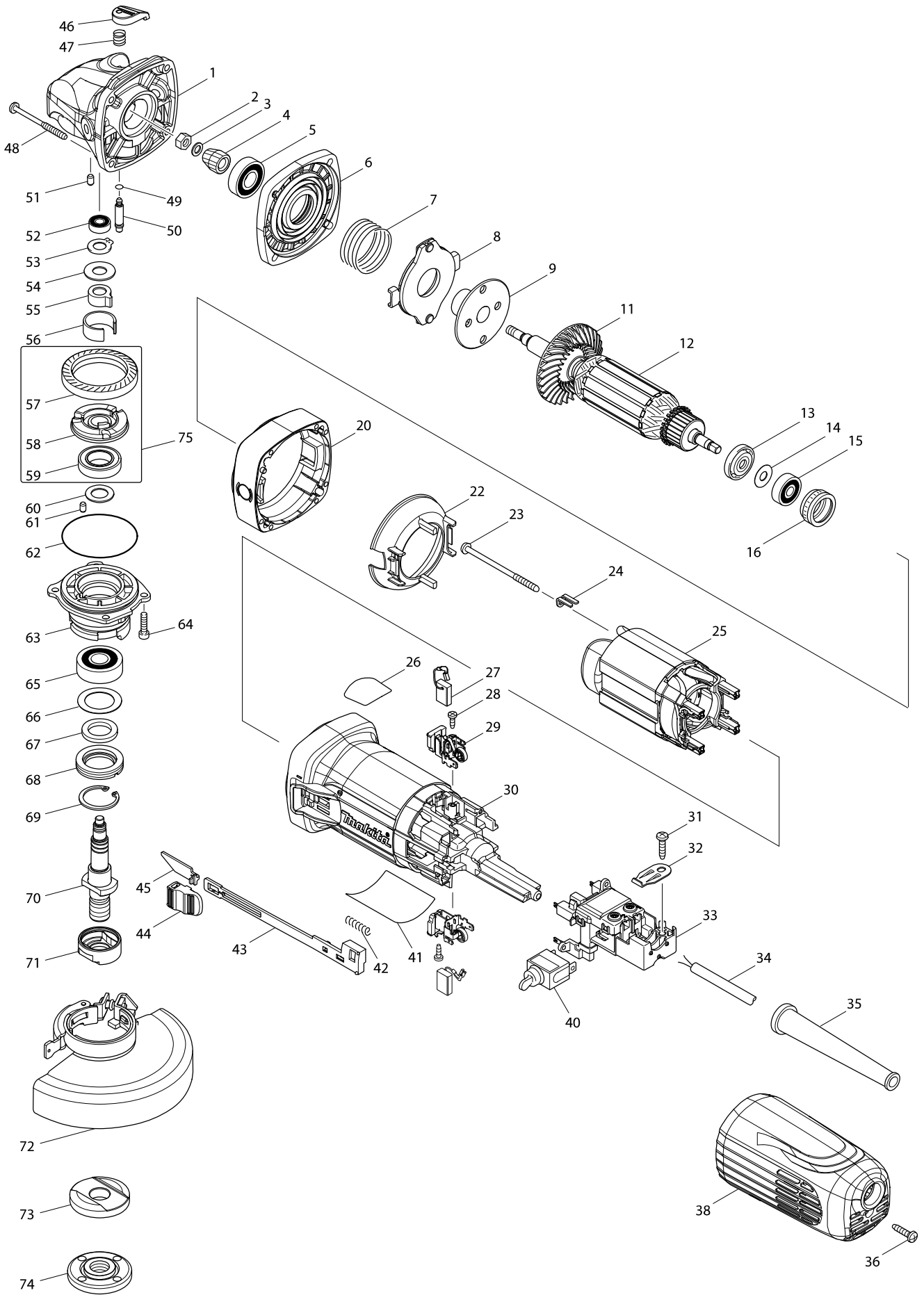


Model No. GA4541 115MM ANGLE GRINDER



Model No. GA4541 115MM ANGLE GRINDER

Item	Parts No.	Description	I/C	QTY	N/O	Opt. 1	Opt. 2	NOTE
001	168705-9	GEAR HOUSING COMPLETE		1	*	100		
001-1	319310-7	GEAR HOUSING	<	1				
002	252186-8	HEX. NUT M6		1		100		
003	253077-6	FLAT WASHER 6		1		100		
004	227591-8	SPIRAL BEVEL GEAR 10		1		100		
005	211142-7	BALL BEARING 6001LLB		1		100		
006	141981-0	GEAR HOUSING COVER COMPLETE		1		100		
007	234230-3	COMPRESSION SPRING 33		1		100		
008	141515-9	BRAKE SHOE HOLDER COMPLETE		1		100		
009	326132-8	BRAKE PLATE		1	*			
011	240135-7	FAN 60 B		1	*			
D10		INC. 11,13-15			*			
012A	515366-0	ARMATURE ASS'Y 115V		1	*			
012B	515369-4	ARMATURE ASS'Y 240V		1	*			
D10		INC. 13-15						
012-1A	515391-1	ARMATURE ASS'Y 115V	X	1		151		
012-1B	515394-5	ARMATURE ASS'Y 240V	X	1		151		
013	681656-4	INSULATION WASHER		1		100		
014	253823-7	FLAT WASHER 7		1		100		
015	210027-4	BALL BEARING 627DDW		1		100		
016	421738-8	LABYRINTH RUBBER RING 22		1		100		
020	453374-2	SPACER		1	*	100		
020-1	455351-0	SPACER	<	1				
022	453375-0	BUFFLE PLATE B		1		100		
023	266258-3	TAPPING SCREW 4X70		2		100		
024	344871-8	RETAINER		2		100		
025A	626646-0	FIELD 115V		1		100		
025B	626649-4	FIELD 240V		1		100		
026	898443-6	SJS2 MARK LABEL		1		100		
027	194074-2	CARBON BRUSH CB-325		1		100		
028	266007-8	TAPPING SCREW BIND PT 3X10		2		100		
029	643769-9	BRUSH HOLDER		2	*	100		
029-1	643770-4	BRUSH HOLDER	<	2				
030	453376-8	MOTOR HOUSING B		1		100		
031	266326-2	TAPPING SCREW 4X18		1		100		
032	687169-3	STRAIN RELIEF		1		100		
033	638949-0	SWITCH BLOCK		1		100		
034A	695217-4	POWER SUPPLY CORD 1.5-2-2.5		1		100		
034B	692527-0	POWER SUPPLY CORD 1.0-2-2.5		1		100		
035	682566-8	CORD GUARD 10		1		100		
036	266326-2	TAPPING SCREW 4X18		1		100		
038	453364-5	REAR COVER		1		100		
040	651418-4	SWITCH ST115A-40		1		100		
041	897065-9	GA4541 NAME PLATE		1		100		
042	233071-4	COMPRESSION SPRING 4		1		100		
043	453847-5	SWITCH LEVER		1		100		
044	453377-6	SWITCH KNOB B		1		100		
045	346557-0	SWITCHI PLATE		1		100		

Model No. GA4541 115MM ANGLE GRINDER

Item	Parts No.	Description	I/C	QTY	N/O	Opt. 1	Opt. 2	NOTE
046	453369-5	PIN CAP		1		100		
047	234057-1	COMPRESSION SPRING 8		1		100		
048	266467-4	TAPPING SCREW 4X50		4		100		
049	213032-0	O RING 4		1		100		
050	256535-1	SHOULDER PIN 6		1		100		
051	263002-9	RUBBER PIN 4		1		100		
052	210006-2	BALL BEARING 696ZZ		1		100		
053	961005-4	RETAINING RING S-9		1		100		
054	253180-3	FLAT WASHER 10		1		100		
055	310508-9	JOINT SLEEVE		1	*	100		
055-1	310577-0	JOINT SLEEVE	<	1	*	100		
055-2	310683-1	JOINT SLEEVE	<	1				
056	346556-2	C TYPE PLATE		1		100		
057	227592-6	SPIRAL BEVEL GEAR 38		1		100		
058	313228-4	COUPLING		1		100		
059	210302-8	BALL BEARING 6903ZZ		1		100		
060	253744-3	FLAT WASHER 12		1		100		
061	263002-9	RUBBER PIN 4		1		100		
062	213641-5	O RING 51		1		100		
063	318839-0	BEARRING BOX B		1		100		
064	265490-6	HEX. SOCKET HEAD BOLT M4X16		4		100		
065	211129-9	BALL BEARING 6201DDW		1		100		
066	267279-8	FLAT WASHER 21		1		100		
067	443124-3	FELT RING 17		1		100		
068	285854-8	BEARING RETAINER 20-33		1		100		
069	962105-3	RETAINING RING R-26		1		100		
070	326133-6	SPINDLE		1		100		
071	310514-4	LEAD FLANGE		1		100		
072	123144-0	TOOLLESS WHEELCOVER 115AK ASS		1		100		
C10	213009-5	O RING 4		1		100		
C20	265180-1	PAN HEAD SCREW M5X16		1		100		
073	224447-6	INNER FLANGE 42B		1		100		
074	224554-5	LOCK NUT 14-45		1				
075	135555-7	COUPLING ASS'Y		1		100		
D10		INC. 57-59						
076	819357-6	CLEAR LABEL		1				
A01	153489-2	GRIP 36 COMPLETE		1				
A02	782407-9	LOCK NUT WRENCH 35		1	*			
A02-1	197610-3	LOCK NUT WRENCH 35 SET	O	1				
A03	A-80640	DEPRESSED CENTER WHEEL 115X36		1	*			
A03-1	D-18459	GRINDING WHEEL 115X6 A24R	O	1				
E01A	655030-2	PLUG UK TYPE 16A-4H/110V		1				
E02A	654091-9	NON-INSULATED TERMINAL 1.25-2AF		2		100		