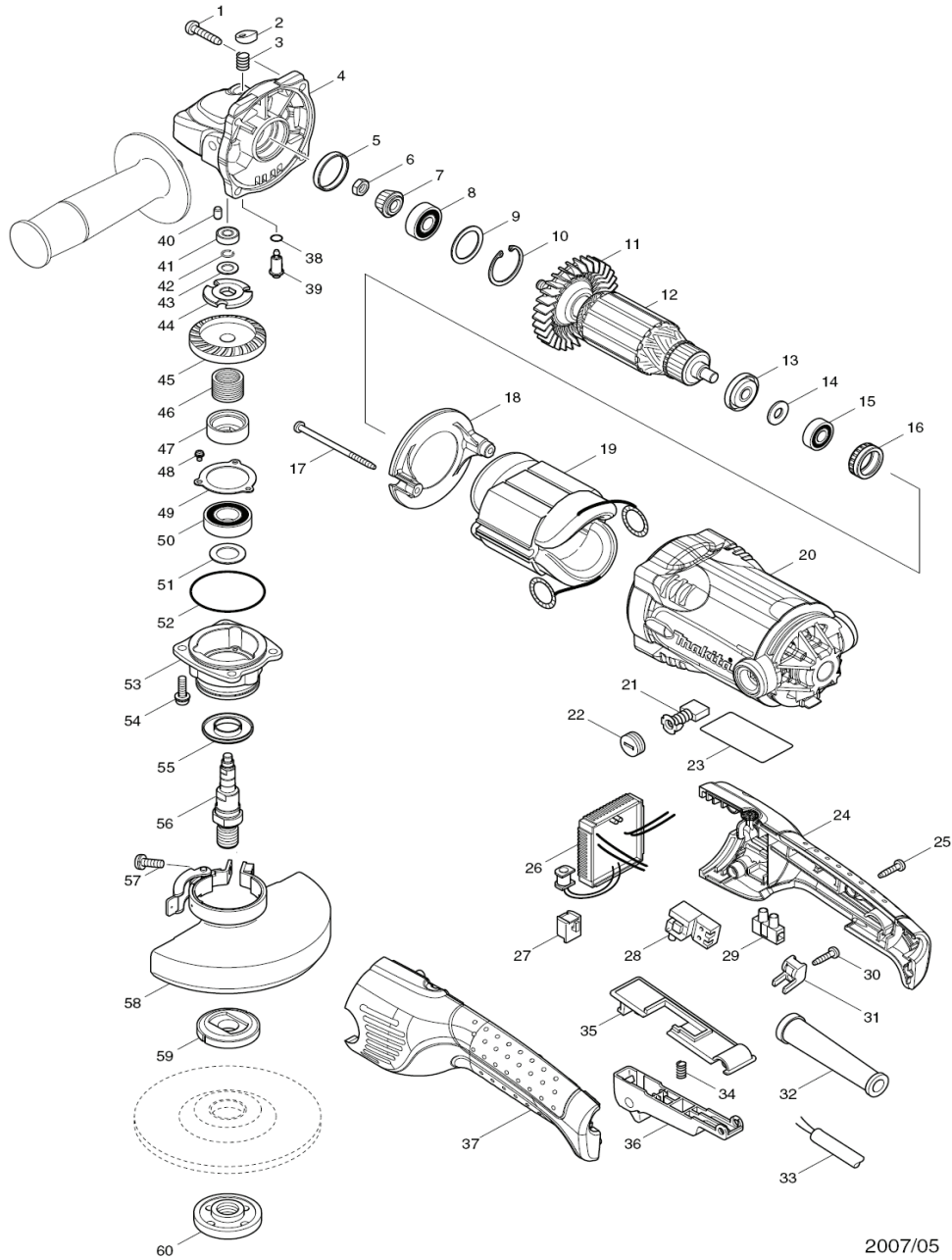




GA5021C



2007/05
GA5021C

030A		266326-2	TAPPING SCREW 4X18	1	PC	
030B		266326-2	TAPPING SCREW 4X18	1	PC	
31		687260-7	STRAIN RELIEF	1	PC	
031A		687260-7	STRAIN RELIEF	1	PC	
031B		687260-7	STRAIN RELIEF	1	PC	
32		682505-8	CORD GUARD 10-90	1	PC	
032A		682505-8	CORD GUARD 10-90	1	PC	
032B		682505-8	CORD GUARD 10-90	1	PC	
33		695217-4	POWER SUPPLY CORD 1.5-2-2.5	1	PC	110V
33		692519-9	POWER SUPPLY CORD 1.0-2-2.5	1	PC	240V
033A		692519-9	POWER SUPPLY CORD 1.0-2-2.5	1	PC	240V
033A		695217-4	POWER SUPPLY CORD 1.5-2-2.5	1	PC	110V
033B		692519-9	POWER SUPPLY CORD 1.0-2-2.5	1	PC	240V
34		233117-6	COMPRESSION SPRING 6	1	PC	
034A		233117-6	COMPRESSION SPRING 6	1	PC	
034B		233117-6	COMPRESSION SPRING 6	1	PC	
35		418519-9	SWITCH BASE	1	PC	
035A		418519-9	SWITCH BASE	1	PC	
035B		418519-9	SWITCH BASE	1	PC	
36		158402-5	SWITCH LEVER B COMPLETE	1	PC	
036A		158402-5	SWITCH LEVER B COMPLETE	1	PC	
036B		158402-5	SWITCH LEVER B COMPLETE	1	PC	
37		188452-6	HANDLE SET	1	SET	
37		188452-6	HANDLE SET	1	SET	
037A	D10	INC. 24	INC. 24	0		
037A	D10	INC. 24	INC. 24	0		
38		213977-2	O RING 7	1	PC	
038A		213977-2	O RING 7	1	PC	
038B		213977-2	O RING 7	1	PC	
39		256505-0	SHOULDER PIN 5	1	PC	
039A		256505-0	SHOULDER PIN 5	1	PC	
039B		256505-0	SHOULDER PIN 5	1	PC	
40		263002-9	RUBBER PIN 4	1	PC	
040A		263002-9	RUBBER PIN 4	1	PC	
040B		263002-9	RUBBER PIN 4	1	PC	
41		210006-2	BALL BEARING 606ZZ	1	PC	
041A		210006-2	BALL BEARING 606ZZ	1	PC	
041B		210006-2	BALL BEARING 606ZZ	1	PC	
42		233926-3	RING SPRING 7	1	PC	
042A		233926-3	RING SPRING 7	1	PC	
042B		233926-3	RING SPRING 7	1	PC	
43		253835-0	FLAT WASHER 8	1	PC	
043A		253835-0	FLAT WASHER 8	1	PC	
043B		253835-0	FLAT WASHER 8	1	PC	
44		267811-8	LOCK WASHER	1	PC	
044A		267811-8	LOCK WASHER	1	PC	
044B		267811-8	LOCK WASHER	1	PC	
45		227522-7	SPIRAL BEVEL GEAR 35B	1	PC	
045A		227522-7	SPIRAL BEVEL GEAR 35B	1	PC	
045B		227522-7	SPIRAL BEVEL GEAR 35B	1	PC	
46		233957-2	LOCK SPRING 16	1	PC	
046A		233957-2	LOCK SPRING 16	1	PC	
046B		233957-2	LOCK SPRING 16	1	PC	
47		324833-2	LOCK SLEEVE	1	PC	
047A		324833-2	LOCK SLEEVE	1	PC	
047B		324833-2	LOCK SLEEVE	1	PC	
48		911003-8	PAN HEAD SCREW M3X6	3	PC	
048A		911003-8	PAN HEAD SCREW M3X6	3	PC	
048B		911003-8	PAN HEAD SCREW M3X6	3	PC	
49		285728-3	BEARING RETAINER 39	1	PC	
049A		285728-3	BEARING RETAINER 39	1	PC	
049B		285728-3	BEARING RETAINER 39	1	PC	
50		211236-8	BALL BEARING 6002DDW	1	PC	
050A		211236-8	BALL BEARING 6002DDW	1	PC	
050B		211236-8	BALL BEARING 6002DDW	1	PC	
51		253853-8	FLAT WASHER 15	1	PC	
051A		253853-8	FLAT WASHER 15	1	PC	
051B		253853-8	FLAT WASHER 15	1	PC	
52		213624-5	O RING 48	1	PC	
052A		213624-5	O RING 48	1	PC	
052B		213624-5	O RING 48	1	PC	
53		318160-7	BEARING BOX	1	PC	
053-1		318299-6	BEARING BOX	1	PC	
053A		318160-7	BEARING BOX	1	PC	
053B		318299-6	BEARING BOX	1	PC	
053A1		318160-7	BEARING BOX	1	PC	
053B		318299-6	BEARING BOX	1	PC	
053B1		318299-6	BEARING BOX	1	PC	
54		265131-4	PAN HEAD SCREW M5X18	4	PC	
054A		265131-4	PAN HEAD SCREW M5X18	4	PC	
054B		265131-4	PAN HEAD SCREW M5X18	4	PC	
55		345464-4	LABYRINTH RING	1	PC	
055A		345464-4	LABYRINTH RING	1	PC	
055B		345464-4	LABYRINTH RING	1	PC	
56		324789-9	SPINDLE	1	PC	
056A		324789-9	SPINDLE	1	PC	
056B		324789-9	SPINDLE	1	PC	
57		251391-4	PAN HEAD SCREW M5X16	1	PC	
057A		251391-4	PAN HEAD SCREW M5X16	1	PC	
057B		251391-4	PAN HEAD SCREW M5X16	1	PC	
58		135108-2	TOOLLESS WHEEL COVER 125 ASSY	1	PC	
58		135108-2	TOOLLESS WHEEL COVER 125 ASSY	1	PC	
058A	D10	INC. 57	INC. 57	0		
058A	D10	INC. 57	INC. 57	0		
058B	D10	INC. 57	INC. 57	0		
058B	D10	INC. 57	INC. 57	0		
59		224415-9	INNER FLANGE 42	1	PC	
059A		224415-9	INNER FLANGE 42	1	PC	
059B		224415-9	INNER FLANGE 42	1	PC	
60		224554-5	LOCK NUT 14-45	1	PC	
060A		224554-5	LOCK NUT 14-45	1	PC	
060B		224554-5	LOCK NUT 14-45	1	PC	
A01		153504-2	GRIP 36 COMPLETE	1	PC	
A01A		162258-0	VIBRATION PROOF GRIP	1	PC	
A01B		162258-0	VIBRATION PROOF GRIP	1	PC	
A02		782423-1	LOCK NUT WRENCH 35	1	PC	
A02A		782423-1	LOCK NUT WRENCH 35	1	PC	
A02B		782423-1	LOCK NUT WRENCH 35	1	PC	
A03		806217-1	UPC/MODEL GA5021C 230-240V	1	PC	
A03		807039-2	UPC/MODEL LABEL GA5021C 110V	1	PC	
A03		806178-5	UPC/MODEL GA5021C01 230-240V	1	PC	
A03A		806178-5	GA5021C01 CARTON LABEL	1	PC	
A03A		806985-6	UPC/MODEL GA5021C01 110V	1	PC	
A03A		806217-1	UPC/MODEL GA5021C 230-240V	1	PC	
A03B		806178-5	UPC/MODEL GA5021C01 230-240V	1	PC	
A03B		806985-6	UPC/MODEL GA5021C01 110V	1	PC	
A03C		806178-5	UPC/MODEL GA5021C01 230-240V	1	PC	
E01		655030-2	PLUG UK TYPE 16A-4H/110V	1	PC	110V
E01A		655030-2	PLUG UK TYPE 16A-4H/110V	1	PC	110V
E02		654091-9	NON-INSULATED TERMINAL	2	PC	110V