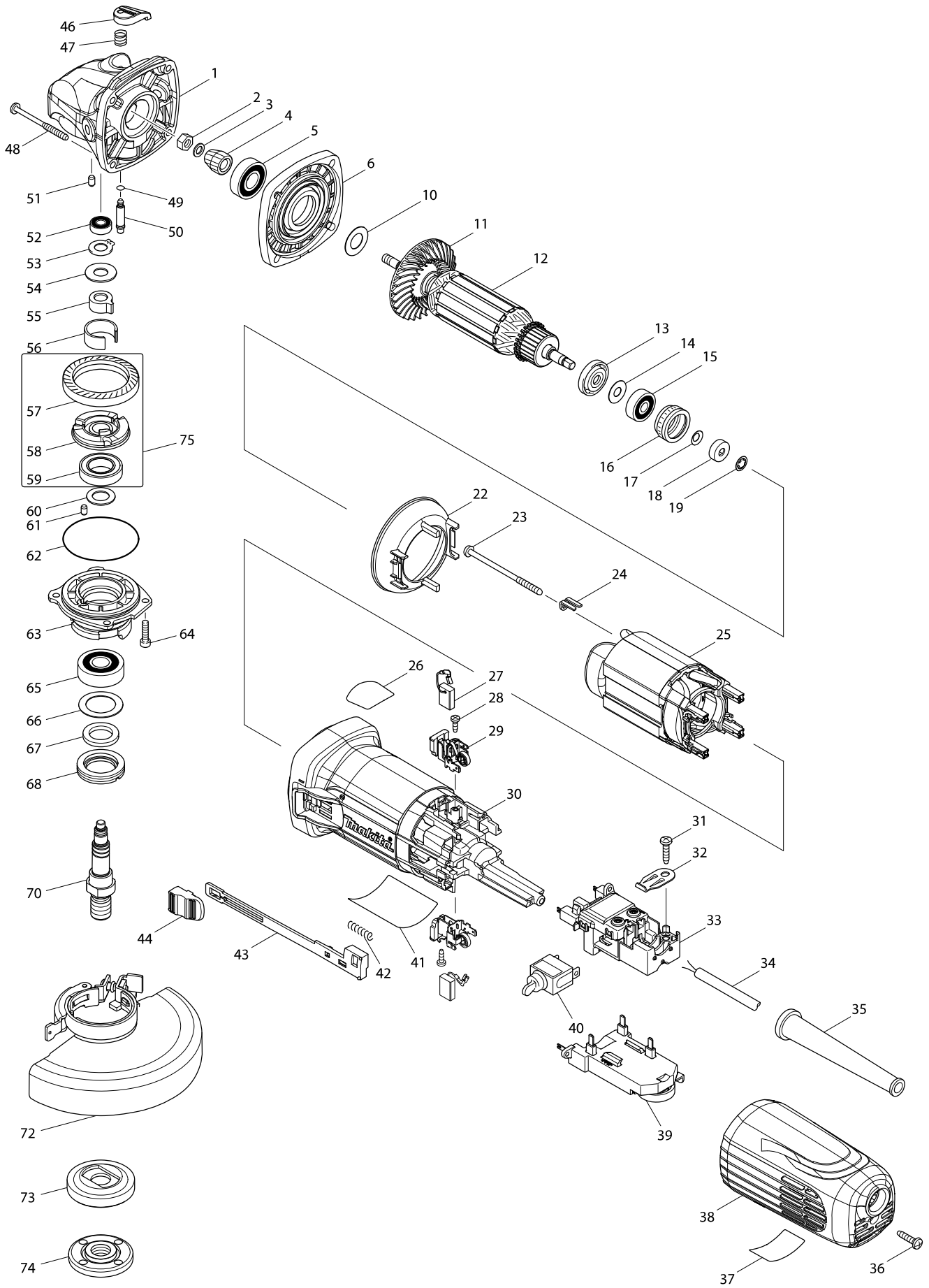


Model No. GA5040C 125MM ANGLE GRINDER



Model No. GA5040C 125MM ANGLE GRINDER

Item	Parts No.	Description	I/C	QTY	N/O	Opt. 1	Opt. 2	NOTE
001	168705-9	GEAR HOUSING COMPLETE		1	*	100		
001-1	319310-7	GEAR HOUSING	<	1				
002	252186-8	HEX. NUT M6		1		100		
003	253077-6	FLAT WASHER 6		1		100		
004	227591-8	SPIRAL BEVEL GEAR 10		1		100		
005	211142-7	BALL BEARING 6001LLB		1		100		
006A	318835-8	GEAR HOUSING COVER		1	*	100		
006B	318835-8	GEAR HOUSING COVER		1	*	100		
006-1A	141981-0	GEAR HOUSING COVER COMPLETE	<	1		100		
006-1B	141981-0	GEAR HOUSING COVER COMPLETE	<	1		100		
006-1C	141981-0	GEAR HOUSING COVER COMPLETE		1		100		
006-1D	141981-0	GEAR HOUSING COVER COMPLETE		1		100		
010	253084-9	FLAT WASHER 12		1		100		
011	240134-9	FAN 60		1		100		
D10		INC. 11,13-15						
012A	515370-9	ARMATURE ASS'Y 100-115V		1		151		
012B	515373-3	ARMATURE ASS'Y 220-240V		1		151		
012C	515370-9	ARMATURE ASS'Y 100-115V		1		151		
012D	515373-3	ARMATURE ASS'Y 220-240V		1		151		
013	681656-4	INSULATION WASHER		1		100		
014	253823-7	FLAT WASHER 7		1		100		
015	210027-4	BALL BEARING 627DDW		1		100		
016	421738-8	LABYRINTH RUBBER RING 22		1		100		
017	267756-0	WAVE WASHER 6		1		100		
018	688117-5	MAGNET SLEEVE		1		100		
019	259039-2	SELF LOCK 6		1		100		
022	453367-9	BUFFLE PLATE		1		100		
023	266258-3	TAPPING SCREW 4X70		2		100		
024	344871-8	RETAINER		2		100		
025A	626651-7	FIELD 115V		1		100		
025B	626653-3	FIELD 220-240V		1		100		
025C	626651-7	FIELD 115V		1		100		
025D	626653-3	FIELD 220-240V		1		100		
026	898443-6	SJS2 MARK LABEL		1		100		
027	191978-9	A.C. CARBON BRUSH CB-318		1		100		
028	266007-8	TAPPING SCREW BIND PT 3X10		2		100		
029A	643769-9	BRUSH HOLDER		2	*	100		
029B	643769-9	BRUSH HOLDER		2	*	100		
029-1A	643770-4	BRUSH HOLDER	<	2				
029-1B	643770-4	BRUSH HOLDER	<	2				
029-1C	643770-4	BRUSH HOLDER		2				
029-1D	643770-4	BRUSH HOLDER		2				
030	453366-1	MOTOR HOUSING		1		100		
031	266326-2	TAPPING SCREW 4X18		1		100		
032	687169-3	STRAIN RELIEF		1		100		
033	638947-4	SWITCH BLOCK		1	*	100		
033-1	632K98-1	SWITCH BLOCK	<	1				
034A	695217-4	POWER SUPPLY CORD 1.5-2-2.5		1		100		

Model No. GA5040C 125MM ANGLE GRINDER

Item	Parts No.	Description	I/C	QTY	N/O	Opt. 1	Opt. 2	NOTE
034B	692527-0	POWER SUPPLY CORD 1.0-2-2.5		1		100		
034C	695217-4	POWER SUPPLY CORD 1.5-2-2.5		1		100		
034D	692527-0	POWER SUPPLY CORD 1.0-2-2.5		1		100		
035	682566-8	CORD GUARD 10		1		100		
036	266326-2	TAPPING SCREW 4X18		1		100		
037	898444-4	INDICATION LABEL		1				
038	453365-3	REAR COVER C		1		100		
039A	620126-8	CONTROLLER		1	*	100		
039B	620127-6	CONTROLLER		1	*	100		
039C	620126-8	CONTROLLER		1	*	100		
039D	620127-6	CONTROLLER		1	*	100		
039-1A	620733-7	CONTROLLER	<	1				
039-1B	620734-5	CONTROLLER	<	1				
039-1C	620733-7	CONTROLLER	<	1				
039-1D	620734-5	CONTROLLER	<	1				
040	651418-4	SWITCH ST115A-40		1		100		
041A	897088-7	GA5040C NAME PLATE		1	*			
041B	897088-7	GA5040C NAME PLATE		1	*			
041-1A	897088-7	GA5040C NAME PLATE	<	1				
041-1B	897088-7	GA5040C NAME PLATE	<	1				
041-1C	897088-7	GA5040C NAME PLATE		1				
041-1D	897088-7	GA5040C NAME PLATE		1				
042	233071-4	COMPRESSION SPRING 4		1		100		
043	453847-5	SWITCH LEVER		1		100		
044	453368-7	SWITCH KNOB		1		100		
046	453369-5	PIN CAP		1		100		
047	234057-1	COMPRESSION SPRING 8		1		100		
048	266361-0	TAPPING SCREW 4X30		4		100		
049	213032-0	O RING 4		1		100		
050	256535-1	SHOULDER PIN 6		1		100		
051	263002-9	RUBBER PIN 4		1		100		
052	210006-2	BALL BEARING 696ZZ		1		100		
053	961005-4	RETAINING RING S-9		1		100		
054	253180-3	FLAT WASHER 10		1		100		
055A	310508-9	JOINT SLEEVE		1	*	100		
055B	310508-9	JOINT SLEEVE		1	*	100		
055-1A	310577-0	JOINT SLEEVE	<	1	*	100		
055-1B	310577-0	JOINT SLEEVE	<	1	*	100		
055-1C	310577-0	JOINT SLEEVE		1	*	100		
055-1D	310577-0	JOINT SLEEVE		1	*	100		
055-2	310683-1	JOINT SLEEVE	<	1				
056	346556-2	C TYPE PLATE		1		100		
057	227592-6	SPIRAL BEVEL GEAR 38		1		100		
058	313228-4	COUPLING		1		100		
059	210302-8	BALL BEARING 6903ZZ		1		100		
060	253744-3	FLAT WASHER 12		1		100		
061	263002-9	RUBBER PIN 4		1		100		
062	213641-5	O RING 51		1		100		

Model No. GA5040C 125MM ANGLE GRINDER

Item	Parts No.	Description	I/C	QTY	N/O	Opt. 1	Opt. 2	NOTE
063	318837-4	BEARING BOX		1		100		
064	265490-6	HEX. SOCKET HEAD BOLT M4X16		4		100		
065	211129-9	BALL BEARING 6201DDW		1		100		
066	267279-8	FLAT WASHER 21		1		100		
067	443124-3	FELT RING 17		1		100		
068	285854-8	BEARING RETAINER 20-33		1		100		
070	326130-2	SPINDLE		1		100		
072	123145-8	TOOLLESS WHEELCOVER 125AK ASS		1		100		
C10	213009-5	O RING 4		1		100		
C20	265180-1	PAN HEAD SCREW M5X16		1		100		
073	224415-9	INNER FLANGE 42		1		100		
074A	122864-3	TOOLLESS LOCK NUT ASSEMBLY M14		1				
074B	122864-3	TOOLLESS LOCK NUT ASSEMBLY M14		1				
074C	224554-5	LOCK NUT 14-45		1				
074D	224554-5	LOCK NUT 14-45		1				
075	135555-7	COUPLING ASS'Y		1		100		
D10		INC. 57-59						
076	804Y42-4	CLEAR LABEL		1				
A01A	162258-0	VIBRATION PROOF GRIP		1				
A01B	162258-0	VIBRATION PROOF GRIP		1				
A01C	153489-2	GRIP 36 COMPLETE		1				
A01D	153489-2	GRIP 36 COMPLETE		1				
A02	782407-9	LOCK NUT WRENCH 35		1	*			
A02-1	197610-3	LOCK NUT WRENCH 35 SET	O	1				
A03A	A-80656	GRINDING WHEEL 125 WA36N		1	*			
A03B	A-80656	GRINDING WHEEL 125 WA36N		1	*			
A03-1A	D-18465	GRINDING WHEEL 125X6 A24R	O	1				
A03-1B	D-18465	GRINDING WHEEL 125X6 A24R	O	1				
A03-1C	D-18465	GRINDING WHEEL 125X6 A24R		1				
A03-1D	D-18465	GRINDING WHEEL 125X6 A24R		1				
E01A	655030-2	PLUG UK TYPE 16A-4H/110V		1				
E01C	655030-2	PLUG UK TYPE 16A-4H/110V		1				
E02A	654091-9	NON-INSULATED TERMINAL1.25-2AF		2		100		
E02C	654091-9	NON-INSULATED TERMINAL1.25-2AF		2		100		