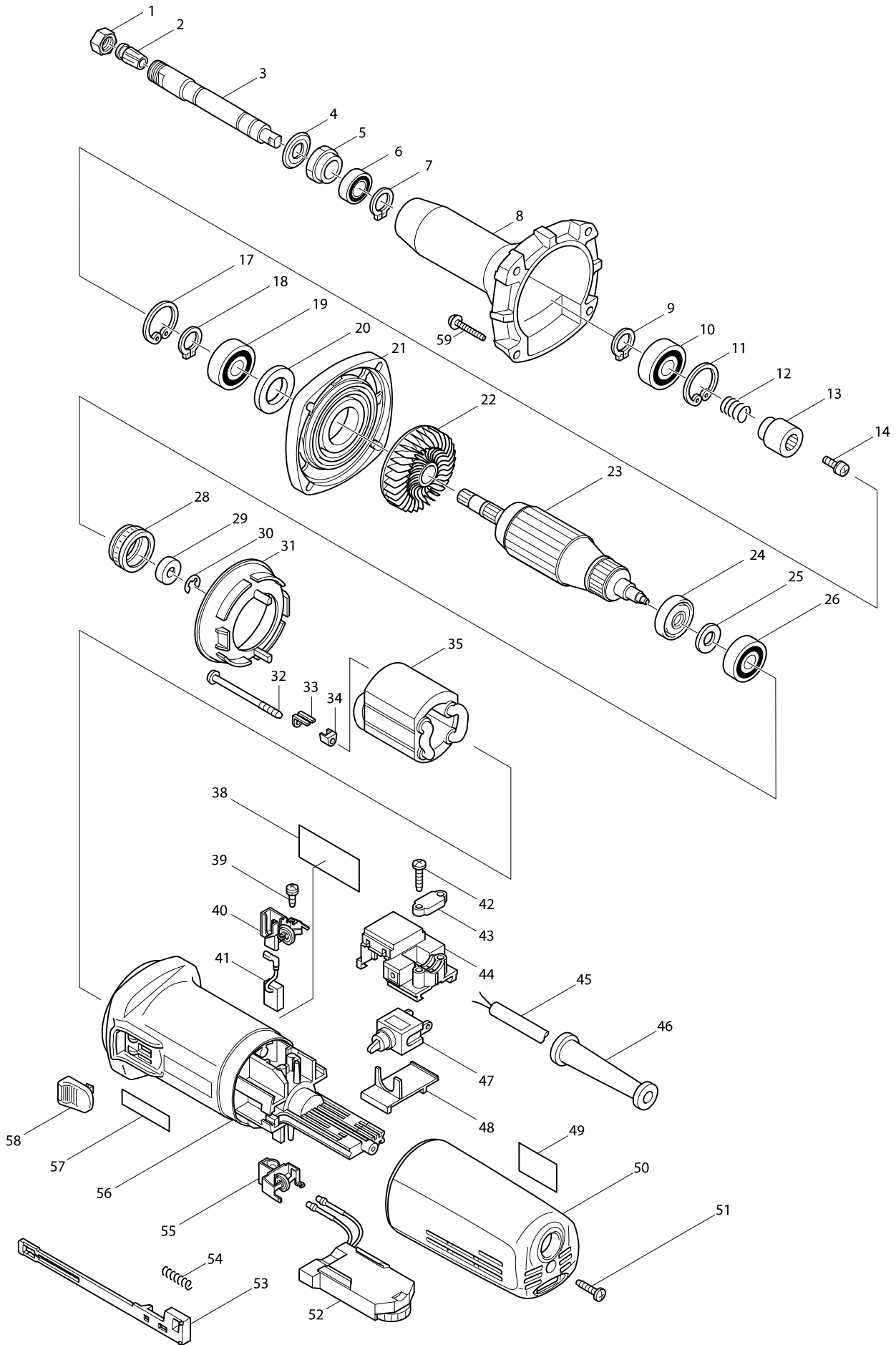


# Model No. GD0800C DIE GRINDER



# Model No. GD0800C DIE GRINDER

Item	Parts No.	Description	I/C	QTY	N/O	Opt. 1	Opt. 2	NOTE
001	763645-2	COLLET NUT		1				
002A_	193143-6	COLLET CONE 1/4" SET		1	*			
C10	763650-9	COLLET CONE 1/4"		1	*			
D10		INC. 1			*			
002A1	193012-1	COLLET CONE 6 SET	X	1				
C10	763646-0	COLLET CONE 6		1				
D10		INC. 1						
003	324042-3	SPINDLE		1		100		
004	213209-7	OIL SEAL 16		1		100		
005	285700-5	BEARING RETAINER		1		100		
006	211141-9	BALL BEARING 6901LLB		1		100		
007	961052-5	RETAINING RING S-12		1		100		
008	317368-0	BARREL		1		100		
009	961052-5	RETAINING RING S-12		1		100		
010	211142-7	BALL BEARING 6001LLB		1	*	100		
010-1	211148-5	BALL BEARING 6001ZZ	<	1		100		
011	962106-1	RETAINING RING R-28		1		100		
012	233901-9	LOCK SPRING 12		1		100		
013	323989-8	COUPLING		1		100		
014	265082-1	PAN HEAD SCREW M4X8		1		100		
017	962106-1	RETAINING RING R-28		1		100		
018	961052-5	RETAINING RING S-12		1		100		
019	211142-7	BALL BEARING 6001LLB		1	*	100		
019-1	211148-5	BALL BEARING 6001ZZ	<	1		100		
020	253084-9	FLAT WASHER 12		1		100		
021	317367-2	BEARING BOX		1		100		
022	240036-9	FAN 57		1		100		
023A	515191-9	ARMATURE ASS'Y 115V		1	*	100		
D10		INC. 22,24-26			*			
023-1A	518146-3	ARMATURE ASS'Y 115V	<	1	*	100		
D10		INC. 22,24-26			*			
023-2A	518149-7	ARMATURE ASS'Y 115V	S	1		100		
D10		INC. 22,24-26						
023B_B	515194-3	ARMATURE ASS'Y 230-240V		1	*	151		
D10		INC. 22,24-26			*			
023B1B	515219-3	ARMATURE ASS'Y 240V	S	1		151		
D10		INC. 22,24-26						
024	681656-4	INSULATION WASHER		1		100		
025	253823-7	FLAT WASHER 7		1		100		
026	210023-2	BALL BEARING 627DDW		1		100		
028	421770-2	LABYRINTH RUBBER RING 22		1		100		
029	688117-5	MAGNET SLEEVE		1		100		
030	961011-9	STOP RING E-4		1	*	100		
030-1	259039-2	SELF LOCK 6	S	1		100		
031	413076-2	BAFFLE PLATE		1		100		
032	266259-1	TAPPING SCREW 4X60		2		100		
033	344871-8	RETAINER		2		100		
034	417237-6	INSULATION COVER		2		100		

# Model No. GD0800C DIE GRINDER

Item	Parts No.	Description	I/C	QTY	N/O	Opt. 1	Opt. 2	NOTE
035B_B	626524-4	FIELD 230-240V		1		100		
035C_A	626520-2	FIELD 100V		1	*	100		
035C1A	626521-0	FIELD 115V	<	1		100		
038	852410-5	NAME PLATE GD0800C		1	*	100		
038-1	814S07-2	NAME PLATE GD0800C	<	1		100		
039	266256-7	TAPPING SCREW PT3X10		4		100		
040	643762-3	BRUSH HOLDER		1	*	100		
040-1	643760-7	BRUSH HOLDER	O	1		100		
041	191974-7	A.C. CARBON BRUSH CB-310		1	*	100		
041-1	191978-9	A.C. CARBON BRUSH CB-318	X	1		100		
042	265995-6	TAPPING SCREW 4X18		2		100		
043B	687063-9	CORD CLAMP		1	*	100		
043-1B	687052-4	STRAIN RELIEF	S	1		100		
043A_A	687052-4	STRAIN RELIEF		1	*	100		
043A1A	687063-9	CORD CLAMP	X	1	*	100		
043A2A	687052-4	STRAIN RELIEF	S	1		100		
044A_	632945-0	SWITCH BLOCK		1		100		
045A_A	663514-6	POWER SUPPLY CORD 1.0-2-2.5		1	*	100		
045A1A	663926-3	POWER SUPPLY CORD 1.0-2-2.5	S	1	*			
045A2A	665918-8	POWER SUPPLY CORD 1.0-2-2.5	S	1		100		
045J_B	692021-2	POWER SUPPLY CORD 1.0-2-2.5		1	*	100		
045J1B	692527-0	POWER SUPPLY CORD 1.0-2-2.5	S	1		100		
046A_	682559-5	CORD GUARD 8		1	*	100		
046A1	682566-8	CORD GUARD 10	S	1		100		
047	651418-4	SWITCH ST115A-40		1		100		
048	687113-0	COVER		1		100		
049	816800-6	INDICATION LABEL		1		100		
050	417185-9	REAR COVER		1		100		
051	265995-6	TAPPING SCREW 4X18		1		100		
052A	631390-6	CONTROLLER		1		100		
052A_B	631391-4	CONTROLLER		1		100		
053	417187-5	SWITCH LEVER		1		100		
054	233071-4	COMPRESSION SPRING 4		1		100		
055B	643761-5	BRUSH HOLDER		1	*	100		
055-1B	643974-8	BRUSH HOLDER	O	1		100		
055A_A	643762-3	BRUSH HOLDER		1	*	100		
055A1A	643760-7	BRUSH HOLDER	O	1		100		
056	417184-1	MOTOR HOUSING		1	*	100		
056-1	183406-8	MOTOR HOUSING	S	1	*	100		
D10		INC. 57			*			
056-2	417812-8	MOTOR HOUSING	<	1		100		
057	819720-3	MAKITA LABEL		1	*	100		
058	417188-3	SWITCH KNOB		1	*	100		
058-1	417813-6	SWITCH KNOB	<	1		100		
059	265999-8	TAPPING SCREW 4X25		4		100		
060	800092-7	INDICATION LABEL		1		100		
A01	781203-2	WRENCH 13		1				
A02	781206-6	WRENCH 19		1				

