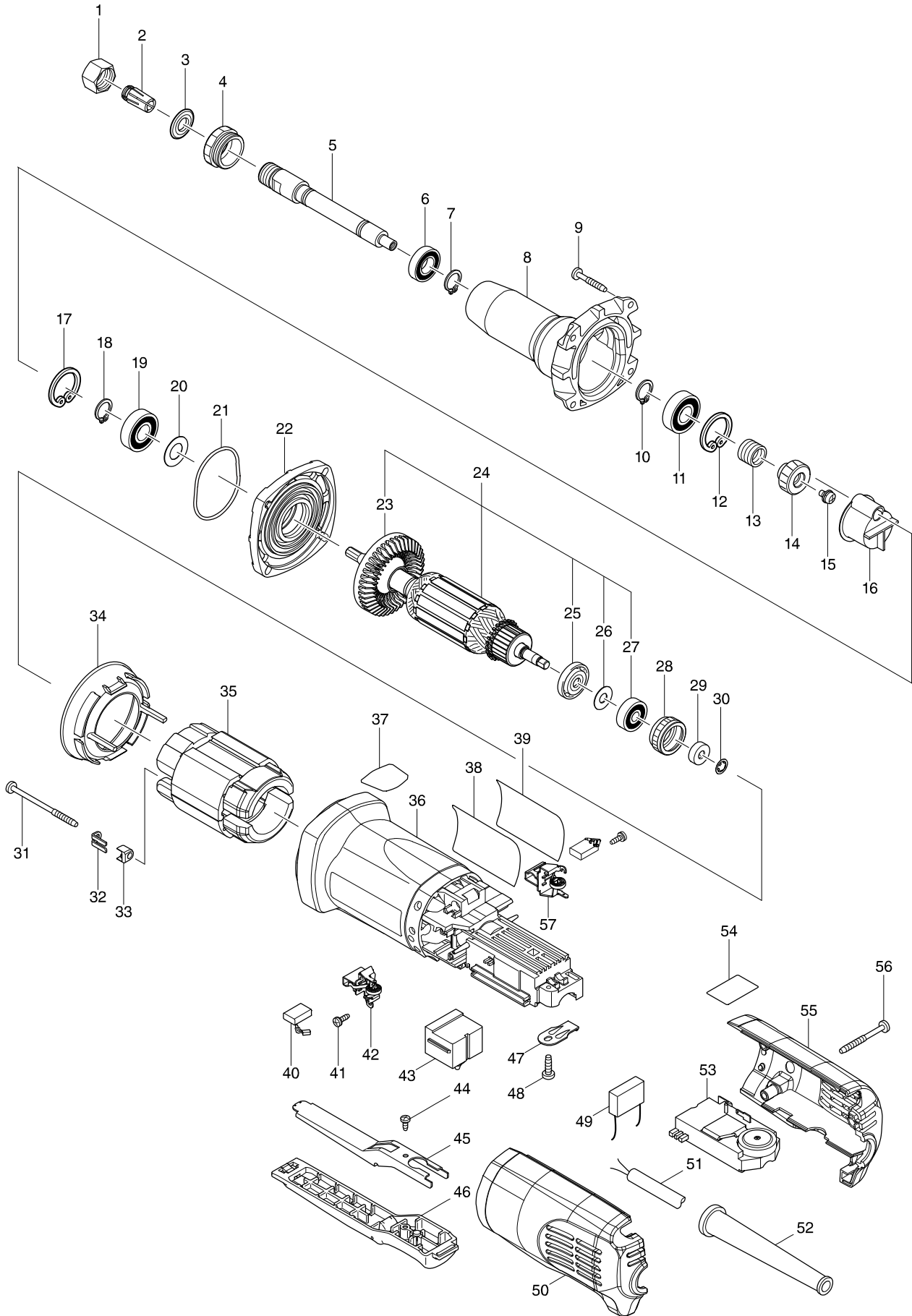


Model No. GD0811C DIE GRINDER



Model No. GD0811C DIE GRINDER

Item	Parts No.	Description	I/C	QTY	N/O	Opt. 1	Opt. 2	NOTE
001	763645-2	COLLET NUT		1				
002	763646-0	COLLET CONE 6		1	*			
002-1	193012-1	COLLET CONE 6 SET	<	1				
C10	763646-0	COLLET CONE 6		1				
D10		INC. 1						
003	213209-7	OIL SEAL 16		1		100		
004	285700-5	BEARING RETAINER		1		100		
005	324042-3	SPINDLE		1		100		
006	211141-9	BALL BEARING 6901LLB		1		100		
007	961052-5	RETAINING RING S-12		1		100		
008	317369-8	BARREL		1		100		
009	265999-8	TAPPING SCREW 4X25		4		100		
010	961052-5	RETAINING RING S-12		1		100		
011	211148-5	BALL BEARING 6001ZZ		1		100		
012	962106-1	RETAINING RING R-28		1		100		
013	233901-9	LOCK SPRING 12		1		100		
014	226531-3	HELICAL GEAR 25		1		100		
015	265082-1	PAN HEAD SCREW M4X8		1		100		
016	417363-1	GEAR COVER		1		100		
017	962106-1	RETAINING RING R-28		1		100		
018	961052-5	RETAINING RING S-12		1		100		
019	211148-5	BALL BEARING 6001ZZ		1		100		
020	253084-9	FLAT WASHER 12		1		100		
021	213611-4	O RING 46		1		100		
022	317367-2	BEARING BOX		1		100		
023	240036-9	FAN 57		1		100		
D10		INC. 23,25-27			*			
024A	515401-4	ARMATURE ASS'Y 115V		1	*			
024B	515404-8	ARMATURE ASS'Y 240V		1	*			
D10		INC. 23,25-27						
024-1A	510301-3	ARMATURE ASS'Y 115V	<	1				
024-1B	510303-9	ARMATURE ASS'Y 240V	<	1				
025	681656-4	INSULATION WASHER		1		100		
026	253823-7	FLAT WASHER 7		1		100		
027	210023-2	BALL BEARING 627DDW		1	*	100		
027-1	210045-2	BALL BEARING 627DDW	<	1		100		
028	421770-2	LABYRINTH RUBBER RING 22		1		100		
029	688117-5	MAGNET SLEEVE		1		100		
030	259039-2	SELF LOCK 6		1		100		
031	266259-1	TAPPING SCREW 4X60		2		100		
032	344871-8	RETAINER		2		100		
033	417237-6	INSULATION COVER		2		100		
034	455367-5	BAFFLE PLATE		1				
035A	626671-1	FIELD 115V		1				
035B	626674-5	FIELD 240V		1				
036	455358-6	MOTOR HOUSING		1				
037	813900-3	SJS MARK LABEL		1				
038	850F33-9	GD0811C NAME PLATE		1				

