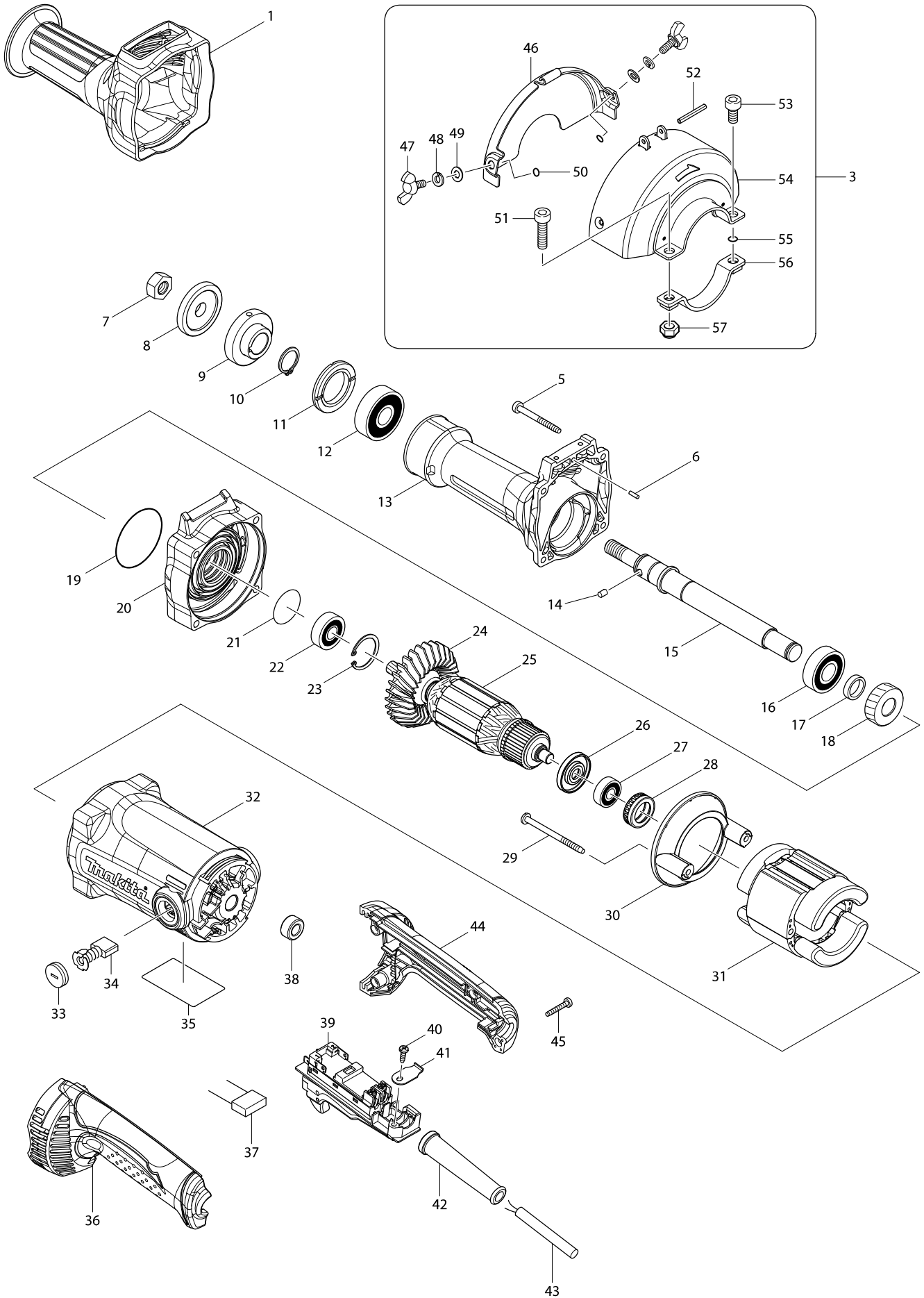


Model No. GS5000 125MM STRAIGHT GRINDER



Model No. GS5000 125MM STRAIGHT GRINDER

Item	Parts No.	Description	I/C	QTY	N/O	Opt. 1	Opt. 2	NOTE
001	424549-0	INSULATION COVER		1	100			
003	123199-5	WHEEL COVER 125K ASSY		1	100			
D10		INC. 46-57						
005	266046-8	TAPPING SCREW 5X50		4	100			
006	256180-2	PIN 3		1	100			
008	224583-8	LOCK NUT 14-50		1				
009	224457-3	INNER FLANGE 50		1	100			
010	961060-6	RETAINING RING S-20		1	100			
011	285824-7	BEARING RETAINER 31-48		1	100			
012	211306-3	BALL BEARING 6204LLB		1	100			
013	318961-3	GEAR HOUSING		1	100			
014	268161-4	PIN 5		1	100			
015	326252-8	SPINDLE C		1	100			
016	211256-2	BALL BEARING 6203LLB		1	100			
017	257253-4	RING 17		1	100			
018	227766-9	HELICAL GEAR 47		1	100			
019	213656-2	O RING 53		1	100			
020	318962-1	GEAR HOUSING COVER		1	100			
021	213487-9	O RING 31		1	100			
022	211129-9	BALL BEARING 6201DDW		1	100			
023	962151-6	RETAINING RING R-32		1	100			
024	240143-8	FAN 80		1	100			
D10		INC. 24,26,27						
025A	517886-0	ARMATURE ASS'Y 115V		1	151			
025B	517889-4	ARMATURE ASS'Y 240V		1	151			
026	681657-2	INSULATION WASHER		1	100			
027	210059-1	BALL BEARING 6000DDW		1	100			
028	421490-8	RUBBER RING 26		1	100			
029	266038-7	TAPPING SCREW 5X70		2	100			
030	451480-7	BAFFLE PLATE		1	100			
C10	654098-5	RECEPTACLE		2	100			
031A	523421-4	FIELD ASSY 115V		1	152			
031B	523424-8	FIELD ASSY 240V		1	152			
032	140222-1	MOTOR HOUSING COMPLETE		1	100			
C10	643707-1	BRUSH HOLDER		2	100			
033	643700-5	BRUSH HOLDER CAP 7-18		2	100			
034	191957-7	A.C. CARBON BRUSH CB-204		1	100			
035	814H98-7	GS5000 NAME PLATE		1	100			
036	188848-1	HANDLE SET		1	100			
D10		INC. 44						
037	645088-9	NOISE SUPPRESSOR		1	100			
038	688131-1	LINE FILTER		1	100			
039	650102-8	SWITCH TG08-1200-011		1	100			
040	266192-7	TAPPING SCREW 4X14		1	100			
041	687169-3	STRAIN RELIEF		1	100			
042	682540-6	CORD GUARD 9.3-90		1	100			
043A	665918-8	POWER SUPPLY CORD 1.0-2-2.5		1	100			
043B	692527-0	POWER SUPPLY CORD 1.0-2-2.5		1	100			

