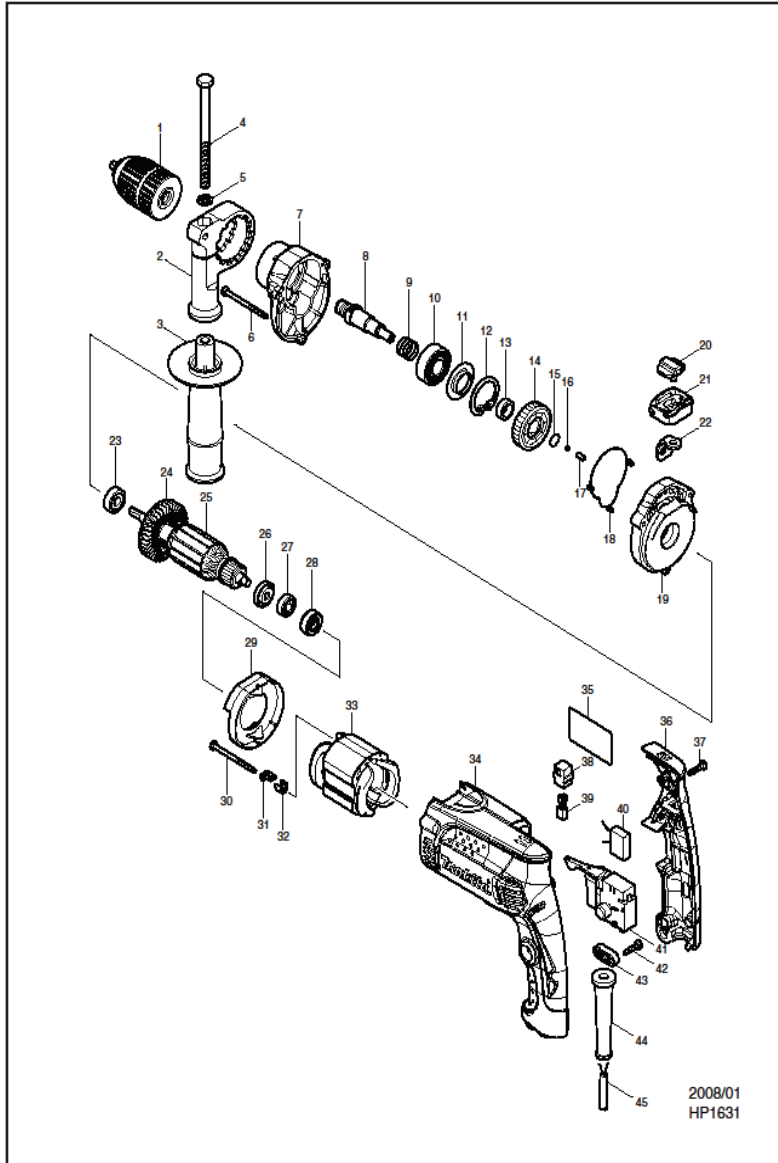


HP1631



2008/01
HP1631

REF.	CODE	DESCRIPTION	UNIT	LIST	REF.	CODE	DESCRIPTION
1	192692-0	KEYLESS DRILL CHUCK	PC				
2	417630-4	GRIP BASE	PC				
3	153503-4	GRIP 36 COMPLETE	PC				
4	265495-6	HEX. BOLT M8X110	PC				
5	345280-4	HEX. WASHER	PC				
6	266361-0	TAPPING SCREW 4X30	PC				
7	450619-9	GEAR HOUSING	PC				
8	324223-9	SPINDLE	PC				
9	233330-6	COMPRESSION SPRING 16	PC				
10	211241-5	BALL BEARING 6202DDW	PC				
11	257246-1	RING 19	PC				
12	962153-2	RETAINING RING R-35	PC				
13	257173-2	RING 12	PC				
14	226589-2	HELICAL GEAR 37	PC				
15	233938-6	RING SPRING 12	PC				
16	216001-0	STEEL BALL 3.5	PC				
17	256251-5	PIN 4	PC				
18	424112-9	SEAL RING	PC				
19	158676-8	GEAR HOUSING COVER COMP	PC				
20	417819-4	CHANGE LEVER	PC				
21	450621-2	LEVER CASE	PC				
22	345944-0	CHANGE PLATE	PC				
23	211031-6	BALL BEARING 608LLB	PC				
24	241869-5	FAN 55	PC				
25	518153-6	ARMATURE ASS'Y 115V	PC				
D10		INC. 23242627					
025A	515309-2	ARMATURE ASS'Y 240V	PC				
D10		INC. 23242627					
26	681636-0	INSULATION WASHER	PC				
27	211021-9	BALL BEARING 607LLB	PC				
28	421808-3	RUBBER RING 19	PC				
29	450620-4	BAFFLE PLATE	PC				
30	266415-3	TAPPING SCREW 4X55	PC				
31	344871-8	RETAINER	PC				
32	417237-6	INSULATION COVER	PC				
33	626604-6	FIELD 240V	PC				
33	628183-0	FIELD 115V	PC				
34	450617-3	MOTOR HOUSING	PC				
35	865373-6	HP1631 NAME PLATE	PC				
36	158677-6	HANDLE COVER COMPLETE	PC				
37	266326-2	TAPPING SCREW 4X18	PC				
38	643563-9	BRUSH HOLDER 5X8	PC				
39	191998-3	CARBON BRUSH CB-85	SET				
40	645200-1	NOISE SUPPRESSOR	PC				
41	650585-2	SWITCH DGQ-1108B	PC				
41	650586-0	SWITCH DGQ-1104H	PC				
42	266326-2	TAPPING SCREW 4X18	PC				
43	687124-5	STRAIN RELIEF	PC				
44	682504-0	CORD GUARD 10-85	PC				
45	665905-7	POWER SUPPLY CORD 1.0-2-2.0	PC				
45	692516-5	POWER SUPPLY CORD 1.0-2-2.0	PC				
A01	824811-7	PLASTIC CARRYING CASE	PC				
C10	324815-4	SHAFT	PC				
C20	417724-5	LATCH	PC				
C30	418264-6	PLATE	PC				
C40	419216-0	HANDLE	PC				
C50	450086-8	PLASTIC CASE LID	PC				
E01	655030-2	PLUG UK TYPE 16A-4H/10V	PC				
E02	654091-9	NON-INSULATED TERMINAL	pc				