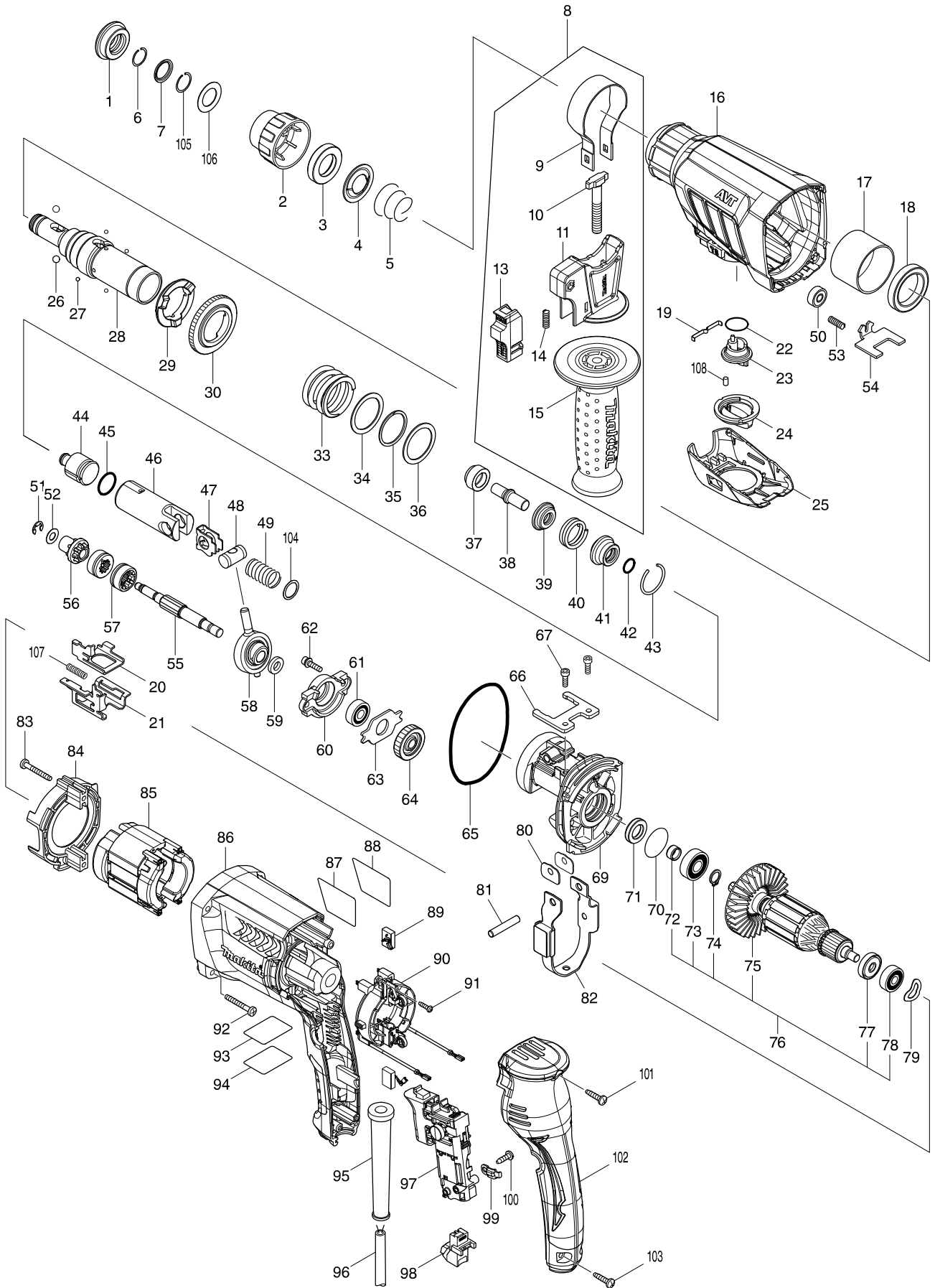


Model No. HR2631F 26MM COMBINATION HAMMER



Model No. HR2631F 26MM COMBINATION HAMMER

Item	Parts No.	Description	I/C	QTY	N/O	Opt. 1	Opt. 2	NOTE
001	286288-8	CAP 35		1	100			
002	455393-4	CHUCK COVER		1				
003	325813-1	RING 21		1	100			
004	346177-0	GUIDE WASHER		1	100			
005	233916-6	CONICAL COMP. SPRING 21-29		1	100			
006	233989-9	RING SPRING 14		1	100			
007	346834-0	WASHER 16		1				
008	122878-2	GRIP ASSEMBLY		1				
D10		INC. 9-11,13-15						
009	346181-9	GRIP SPRING 50		1	100			
010	266349-0	SQUARE BOLT M8X50		1	100			
011	451539-0	GRIP BASE		1	100			
013	141765-6	LOCK BUTTON COMPLETE		1	100			
014	233360-7	COMPRESSION SPRING 4		1	100			
015	154935-8	GRIP 36 COMPLETE		1				
016	142970-8	GEAR HOUSING COMPLETE		1				
C10	213636-8	OIL SEAL 25		1	100			
017	331890-3	CUP SLEEVE		1	100			
018	211294-4	BALL BEARING 6806LLU		1	100			
019	232286-0	LEAF SPRING		1				
020	346833-2	CHANGE PLATE B		1				
021	346832-4	CHANGE PLATE A		1				
022	213278-8	O RING 17		1	100			
023	455392-6	CHANGE LEVER		1				
024	455394-2	CHANGE LEVER CAP		1				
025	455391-8	CHANGE LEVER COVER		1				
026	216022-2	STEEL BALL 7.0		2	100			
027	216019-1	STEEL BALL 3		4	100			
028	142972-4	TOOL HOLDER COMPLETE		1				
C10	213344-1	OIL SEAL 9		1	100			
029	332139-4	DRIVING FLANGE		1				
030	227360-7	SPUR GEAR 51		1				
033	234148-8	COMPRESSION SPRING 31		1	100			
034	267153-0	FLAT WASHER 30		1	100			
035	257932-4	SPIRO LOCK WASHER 30		1	100			
036	267153-0	FLAT WASHER 30		1	100			
037	325783-4	SLEEVE 9B		1	100			
038	325789-2	IMPACT BOLT A		1	100			
039	325792-3	WASHER 10		1	100			
040	234149-6	COMPRESSION SPRING 20		1	100			
041	325793-1	O-RING CASE B		1	100			
042	213073-6	O RING 9		1	100			
043	233979-2	RING SPRING 28		1	100			
044	325784-2	STRIKER		1	100			
045	213258-4	O RING 17.5		1	100			
046	310345-1	PISTON CYLINDER		1	100			
047	346036-8	GUIDE PLATE		1	100			
048	324215-8	PISTON JOINT		1	100			

Model No. HR2631F 26MM COMBINATION HAMMER

Item	Parts No.	Description	I/C	QTY	N/O	Opt. 1	Opt. 2	NOTE
049	234098-7	COMPRESSION SPRING 14		1	100			
050	210028-2	BALL BEARING 606ZZ		1	100			
051	257336-0	STOP RING EXT U-6		1	100			
052	253186-1	FLAT WASHER 7		1	100			
053	233360-7	COMPRESSION SPRING 4		1	100			
054	346831-6	LOCK PLATE		1				
055	326448-1	CAM SHAFT		1				
056	227359-2	SPUR GEAR 10		1				
057	332125-5	CLUTCH CAM		2				
058	219023-9	SWASH BEARING 10		1				
059	257321-3	RING 8		1	100			
060	310344-3	BEARING BOX		1	100			
061	211032-4	BALL BEARING 608ZZ		1	100			
062	266437-3	HEX. SOCKET HEAD BOLT M4X16		2	100			
063	285735-6	BEARING RETAINER		1	100			
064	227719-8	HELICAL GEAR 26		1	100			
065	213728-3	O-RING 68		1	100			
066	346222-1	PLATE		1	100			
067	265353-6	HEX. SOCKET HEAD BOLT M4X12		2	100			
069	141573-5	INNER HOUSING COMPLETE		1	100			
C10	443153-6	FELT		1	100			
070	213407-3	O RING 26		1	100			
071	213678-2	OIL SEAL 12		1	100			
072	262569-4	SLEEVE 9		1	100			
073	211097-6	BALL BEARING 6000LLB		1	100			
074	961006-2	RETAINING RING S-10		1	100			
075	240121-8	FAN 65		1	100			
D10		INC. 72-75,77,78						
076A	518156-0	ARMATURE ASSEMBLY 115V		1	151			
076B	515359-7	ARMATURE ASSEMBLY 240V		1	151			
077	681652-2	INSULATION WASHER		1	100			
078	210023-2	BALL BEARING 627DDW		1	100			
079	267804-5	WAVE WASHER 15		1	100			
080	346180-1	WEIGHT HOLDER GUIDE		2	100			
081	256246-8	PIN 6		1	100			
082	165593-5	COUNTER WEIGHT		1	100			
083	266361-0	TAPPING SCREW 4X30		2	100			
084	451527-7	BAFFLE PLATE		1	100			
085A	628185-6	FIELD 115V		1	152			
085B	626634-7	FIELD 240V		1	152			
086	451535-8	MOTOR HOUSING		1	100			
087	850L56-3	HR2631F NAME PLATE		1				
088	819390-8	CLEAR LABEL		1	100			
089	194074-2	CARBON BRUSH CB-325		1	100			
090	638655-7	BRUSH HOLDER UNIT		1	100			
091	266556-5	TAPPING SCREW 3X12		2	100			
092	266361-0	TAPPING SCREW 4X30		4	100			
093	850L61-0	HR2631F SERIAL NO. LABEL		1				

