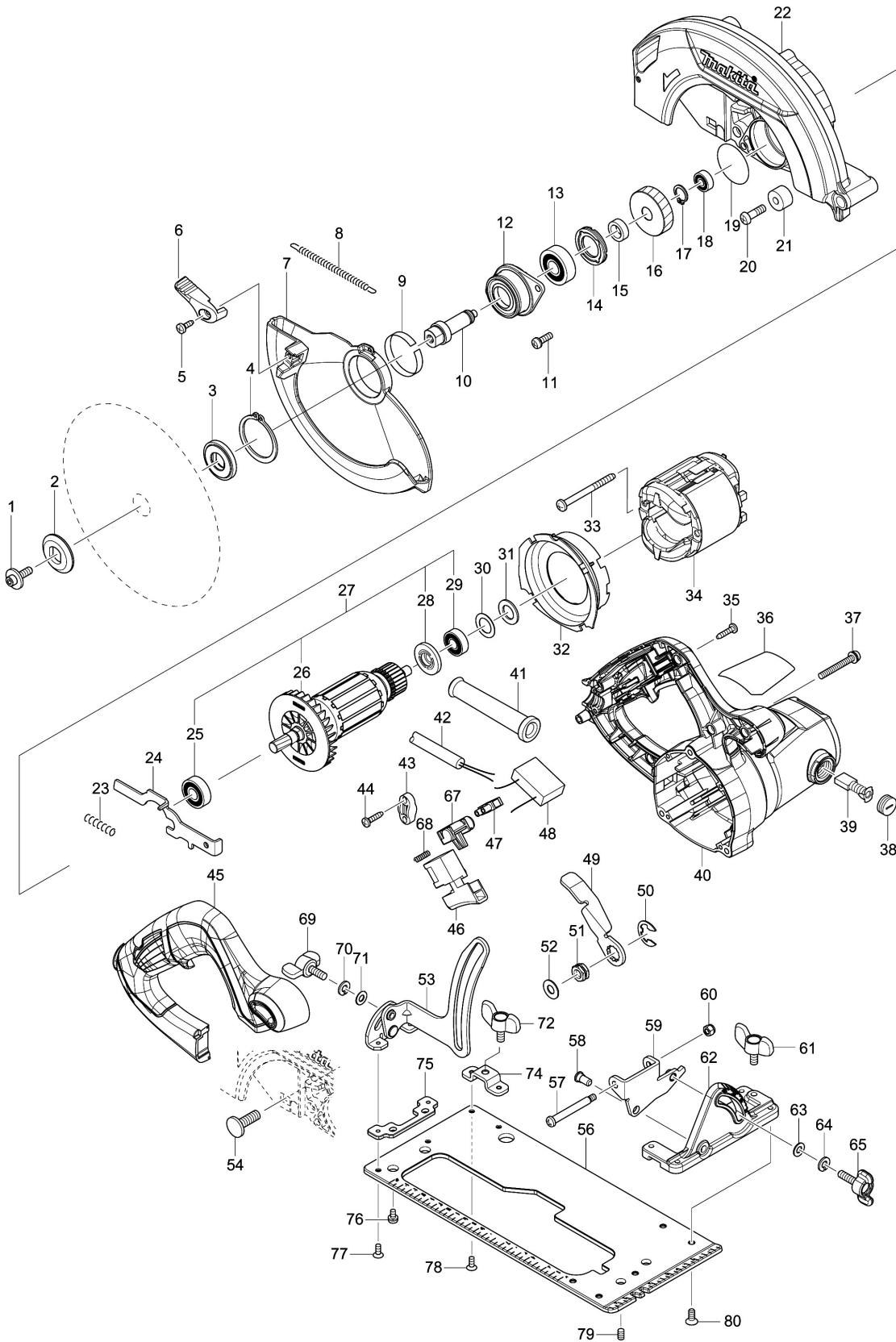


Model No.HS7601 CIRCULAR SAW 190MM



Model No.HS7601 CIRCULAR SAW 190MM

| Item | Parts No. | Description | I/C | QTY | New/Old | Opt. 1 | Opt. 2 | NOTE |
|-------|-----------|-----------------------------|-----|-----|---------|--------|--------|------|
| 001 | 266024-8 | HEX. SOCKET HEAD BOLT M6X20 | | 1 | | 100 | | |
| 002 | 224409-4 | OUTER FLANGE 35 | | 1 | | 100 | | |
| 003 | 224473-5 | INNER FLANGE 35 | | 1 | * | | | |
| 003-1 | 224593-5 | INNER FLANGE 35 | < | 1 | | | | |
| 004 | 961155-5 | RETAINING RING S-38 | | 1 | | 100 | | |
| 005 | 266034-5 | TAPPING SCREW CT 4X16 | | 1 | | 100 | | |
| 006 | 272258-3 | LEVER 37 | | 1 | | 100 | | |
| 007 | 319188-8 | SAFETY COVER | | 1 | | | | |
| 008 | 231887-1 | TENSION SPRING 4 | | 1 | | | | |
| 009 | 345391-5 | THICKNESS RING | | 1 | | 154 | | |
| 010 | 326444-9 | SPINDLE | | 1 | | | | |
| 011 | 911226-8 | PAN HEAD SCREW M5X18 | | 2 | | 100 | | |
| 012 | 319088-2 | BEARING BOX | | 1 | | 100 | | |
| 013 | 211129-9 | BALL BEARING 6201DDW | | 1 | | 100 | | |
| 014 | 285852-2 | BEARING RETAINER 19-33 | | 1 | | 100 | | |
| 015 | 257173-2 | RING 12 | | 1 | | 100 | | |
| 016 | 227793-6 | HELICAL GEAR 38 | | 1 | | | | |
| 017 | 961052-5 | RETAINING RING S-12 | | 1 | | 100 | | |
| 018 | 210028-2 | BALL BEARING 606ZZ | | 1 | | 100 | | |
| 019 | 213512-6 | O RING 39 | | 1 | | 100 | | |
| 020 | 265117-8 | +PAN HEAD SCREW M6X20 | | 1 | | 100 | | |
| 021 | 262556-3 | RUBBER SLEEVE 6 | | 1 | | 100 | | |
| 022 | 142796-8 | BLADE CASE COMPLETE | | 1 | | | | |
| C10 | 213445-5 | O-RING 26 | | 1 | * | 100 | | |
| C11 | 213821-3 | O-RING 26 | < | 1 | | | | |
| 023 | 233117-6 | COMPRESSION SPRING 6 | | 1 | | 100 | | |
| 024 | 345317-7 | SHAFT LOCK | | 1 | | 154 | | |
| 025 | 210059-1 | BALL BEARING 6000DDW | | 1 | | 100 | | |
| 026 | 240064-4 | FAN 70 | | 1 | | 100 | | |
| 027A | 518699-2 | ARMATURE ASS'Y 115V | | 1 | | | | |
| 027B | 513909-2 | ARMATURE ASS'Y 240V | | 1 | | | | |
| 027C | 518699-2 | ARMATURE ASS'Y 115V | | 1 | | | | |
| 027D | 513909-2 | ARMATURE ASS'Y 240V | | 1 | | | | |
| D10 | | INC. 25,26,28,29 | | | | | | |
| 028 | 681644-1 | INSULATION WASHER | | 1 | | 100 | | |
| 029 | 210005-4 | BALL BEARING 608DDW | | 1 | | 100 | | |
| 030 | 253192-6 | FLAT WASHER 14 | | 1 | | 100 | | |
| 031 | 261103-7 | RUBBER WASHER 13 | | 1 | | 100 | | |
| 032 | 455354-4 | BAFFLE PLATE | | 1 | | | | |
| 033 | 266329-6 | TAPPING SCREW 5X60 | | 2 | | 100 | | |
| 034A | 599052-1 | FIELD ASS'Y 115V | | 1 | | | | |
| 034B | 594649-1 | FIELD ASS'Y 240V | | 1 | | | | |
| 034C | 599052-1 | FIELD ASS'Y 115V | | 1 | | | | |
| 034D | 594649-1 | FIELD ASS'Y 240V | | 1 | | | | |
| C10 | 654020-2 | RING TERMINAL | | 2 | | 100 | | |

Please order the parts with part number.

Print Date 12/3/2019

Model No.HS7601 CIRCULAR SAW 190MM

| Item | Parts No. | Description | I/C | QTY | New/Old | Opt. 1 | Opt. 2 | NOTE |
|------|-----------|----------------------------------|-----|-----|---------|--------|--------|------|
| C20 | 654501-6 | CONNECTOR P-1.25 | | 2 | | 100 | | |
| 035 | 266326-2 | TAPPING SCREW 4X18 | | 5 | | 100 | | |
| 036 | 850K55-9 | HS7601 NAME PLATE | | 1 | | | | |
| 037 | 265104-7 | PAN HEAD SCREW M5X40 | | 3 | | 100 | | |
| 038 | 643750-0 | BRUSH HOLDER CAP 7-11 | | 2 | | 100 | | |
| 039 | 191963-2 | CARBON BRUSH CB-303 | | 1 | | 100 | | |
| 040 | 142798-4 | MOTOR HOUSING COMPLETE | | 1 | | | | |
| C10 | 643708-9 | BRUSH HOLDER 5-11 | | 2 | | 100 | | |
| 041A | 682505-8 | CORD GUARD 10-90 | | 1 | | 100 | | |
| 041B | 682540-6 | CORD GUARD 9.3-90 | | 1 | | 100 | | |
| 041C | 682505-8 | CORD GUARD 10-90 | | 1 | | 100 | | |
| 041D | 682540-6 | CORD GUARD 9.3-90 | | 1 | | 100 | | |
| 042A | 695217-4 | POWER SUPPLY CORD 1.5-2-2.5 | | 1 | | 100 | | |
| 042B | 692527-0 | POWER SUPPLY CORD 1.0-2-2.5 | | 1 | | 100 | | |
| 042C | 695217-4 | POWER SUPPLY CORD 1.5-2-2.5 | | 1 | | 100 | | |
| 042D | 692527-0 | POWER SUPPLY CORD 1.0-2-2.5 | | 1 | | 100 | | |
| 043A | 687053-2 | STRAIN RELIEF | | 1 | | 100 | | |
| 043B | 687052-4 | STRAIN RELIEF | | 1 | | 100 | | |
| 043C | 687053-2 | STRAIN RELIEF | | 1 | | 100 | | |
| 043D | 687052-4 | STRAIN RELIEF | | 1 | | 100 | | |
| 044 | 266326-2 | TAPPING SCREW 4X18 | | 2 | | 100 | | |
| 045 | 455362-5 | HANDLE COVER | | 1 | | | | |
| 046 | 650245-6 | SWITCH SGE115CDY-10 | | 1 | | | | |
| 047 | 654532-5 | TERMINAL BLOCK 1P | | 1 | | 100 | | |
| 048 | 645192-4 | NOISE SUPPRESSOR | | 1 | | | | |
| 049 | 346311-2 | LEVER PLATE | | 1 | | 100 | | |
| 050 | 257953-6 | BOW STOP RING E-12 | | 1 | | 100 | | |
| 051 | 252199-9 | HEX. NUT M8-13 | | 1 | | 100 | | |
| 052 | 941201-0 | FLAT WASHER 8 | | 1 | | 100 | | |
| 053 | 163547-6 | DEPTH GUIDE COMPLETE | | 1 | | | | |
| 054 | 266396-1 | FLATHEAD SQUARENECKBOLT M8X24 | | 1 | | 100 | | |
| 056 | 346826-9 | BASE | | 1 | | | | |
| 057 | 265118-6 | + PAN HEAD SCREW M5 | | 1 | | 100 | | |
| 058 | 256480-0 | SHOULDER PIN 6-7 | | 1 | | 100 | | |
| 059 | 346827-7 | ANGULAR GUIDE | | 1 | | | | |
| 060 | 252103-8 | HEX. LOCK NUT M5-8 | | 1 | | 100 | | |
| 061 | 265754-8 | THUMB SCREW M6X12 | | 1 | | 100 | | |
| 062 | 317031-5 | ANGULAR PLATE | | 1 | | | | |
| 063 | 941151-9 | FLAT WASHER 6 | | 1 | | 100 | | |
| 064 | 942151-2 | SPRING WASHER 6 | | 1 | | 100 | | |
| 065 | 265765-3 | THUMB SCREW M6X21 | | 1 | | | | |
| 067 | 453284-3 | LOCK OFF BUTTON | | 1 | | 100 | | |
| 068 | 231469-9 | COMPRESSION SPRING 4 | | 1 | | 100 | | |

Please order the parts with part number.

Print Date 12/3/2019

Model No.HS7601 CIRCULAR SAW 190MM

| Item | Parts No. | Description | I/C | QTY | New/Old | Opt. 1 | Opt. 2 | NOTE |
|-------|-----------|--------------------------------|-----|-----|---------|--------|--------|------|
| 069 | 265755-6 | THUMB SCREW M6X16 | | 1 | | | | |
| 070 | 942151-2 | SPRING WASHER 6 | | 1 | | 100 | | |
| 071 | 941151-9 | FLAT WASHER 6 | | 1 | | 100 | | |
| 072 | 265754-8 | THUMB SCREW M6X12 | | 1 | | 100 | | |
| 074 | 346847-1 | BRACKET | | 1 | | | | |
| 075 | 346846-3 | PLATE | | 1 | | | | |
| 076 | 911106-8 | PAN HEAD SCREW M4X8 | | 2 | | 100 | | |
| 077 | 912107-9 | COUNTERSUNK HEAD SCREW M4X8 | | 2 | * | 100 | | |
| 077-1 | 265085-5 | + COUNTERSUNK HEAD SCREW M4X8 | < | 2 | | 100 | | |
| 078 | 912107-9 | COUNTERSUNK HEAD SCREW M4X8 | | 2 | * | 100 | | |
| 078-1 | 265085-5 | + COUNTERSUNK HEAD SCREW M4X8 | < | 2 | | 100 | | |
| 079 | 266436-5 | H.S.SET SCREW(FLAT POINT) M5X8 | | 2 | | | | |
| 080 | 912212-2 | COUNTERSUNK HEAD SCREW M5X12 | | 5 | | 100 | | |
| A01 | 783217-7 | HEX. WRENCH 5 | | 1 | * | | | |
| A01-1 | 783203-8 | HEX. WRENCH 5 | O | 1 | | | | |
| A02 | 164095-8 | GUIDE RULE | | 1 | | | | |
| A03 | B-07967 | T.C.T.SAW BLADE 190X30X12T | | 1 | | | | |
| A04 | 196520-1 | DUST NOZZLE SET | | 1 | | | | |
| A05A | 821622-1 | PLASTIC CARRYING CASE | | 1 | | | | |
| C10 | 162315-4 | LATCH | | 2 | | 100 | | |
| A05B | 821622-1 | PLASTIC CARRYING CASE | | 1 | | | | |
| C10 | 162315-4 | LATCH | | 2 | | 100 | | |
| A05C | 821552-6 | CONNECTOR PLASTIC CASE (TYPE4) | | 1 | | | | |
| C10 | 453974-8 | LATCH | | 4 | | 100 | | |
| A05D | 821552-6 | CONNECTOR PLASTIC CASE (TYPE4) | | 1 | | | | |
| C10 | 453974-8 | LATCH | | 4 | | 100 | | |
| A06C | 838108-8 | INNER TRAY | | 1 | | | | |
| A06D | 838108-8 | INNER TRAY | | 1 | | | | |
| A07C | 805M92-0 | HS7601J INDICATION LABEL | | 1 | | | | |
| A07D | 805M92-0 | HS7601J INDICATION LABEL | | 1 | | | | |
| A08C | 805M93-8 | HS7601J PLASTIC CASE LABEL | | 2 | | | | |
| A08D | 805M93-8 | HS7601J PLASTIC CASE LABEL | | 2 | | | | |
| E01A | 655030-2 | PLUG UK TYPE 16A-4H/110V | | 1 | | | | |
| E01C | 655030-2 | PLUG UK TYPE 16A-4H/110V | | 1 | | | | |
| E02A | 654091-9 | NON-INSULATED TERMINAL1.25-2AF | | 2 | | 100 | | |
| E02C | 654091-9 | NON-INSULATED TERMINAL1.25-2AF | | 2 | | 100 | | |

Please order the parts with part number.

Print Date 12/3/2019