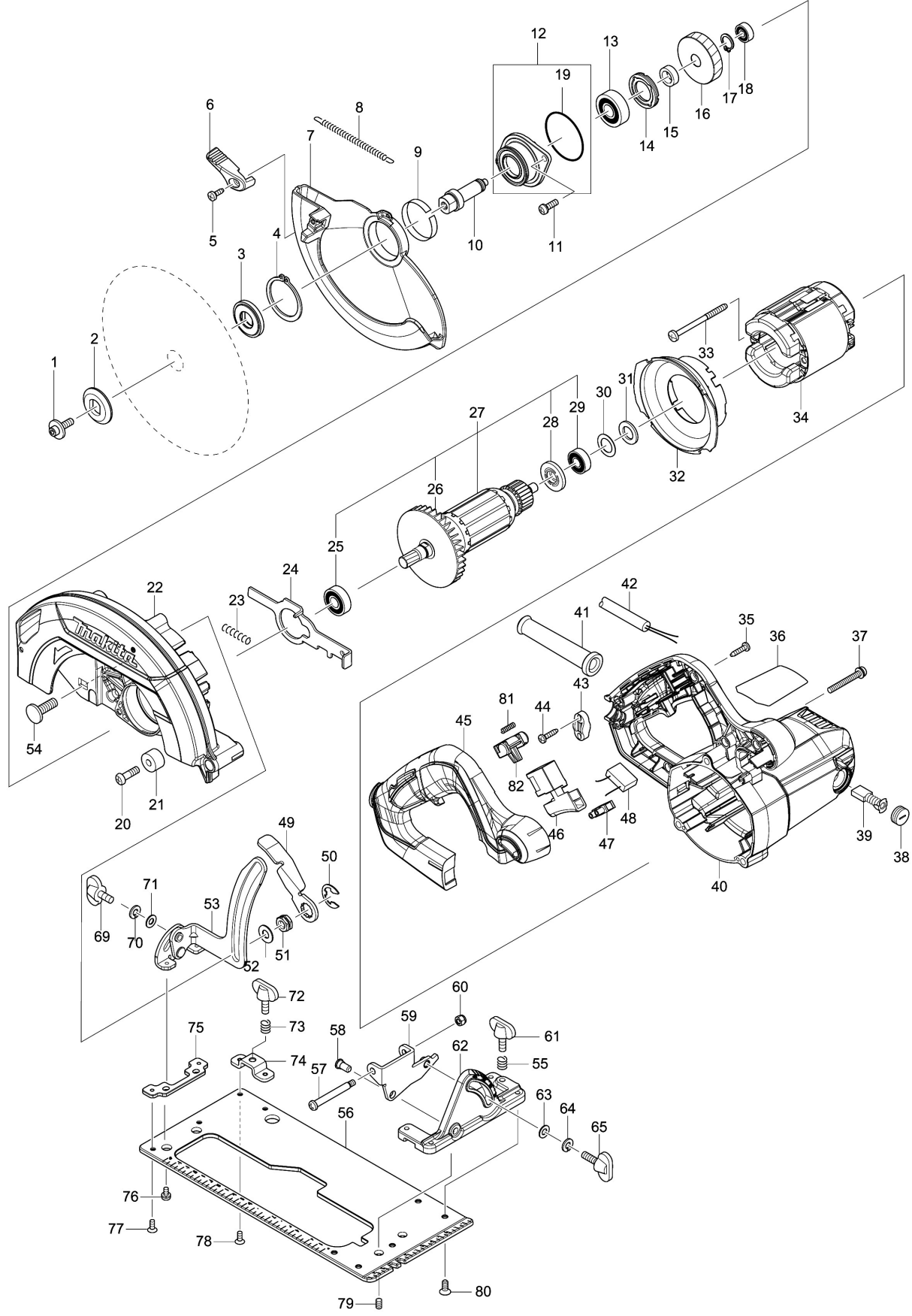


Model No.HS7611 185/190MM CIRCULAR SAW



## Model No.HS7611 185/190MM CIRCULAR SAW

Item	Parts No.	Description	I/C	QTY	New/Old	Opt. 1	Opt. 2	NOTE
001	266024-8	HEX. SOCKET HEAD BOLT M6X20		1		100		
002	224409-4	OUTER FLANGE 35		1		100		
003	224593-5	INNER FLANGE 35		1				
004	961155-5	RETAINING RING S-38		1		100		
005	266034-5	TAPPING SCREW CT 4X16		1		100		
006	271444-3	LEVER 37		1				
007	319188-8	SAFETY COVER		1				
008	231887-1	TENSION SPRING 4		1				
009	345391-5	THICKNESS RING		1		154		
010	326444-9	SPINDLE		1				
011	911226-8	PAN HEAD SCREW M5X18		2		100		
012	135947-0	BEARING BOX ASSEMBLY		1				
D10		INC. 19						
013	211129-9	BALL BEARING 6201DDW		1		100		
014	285852-2	BEARING RETAINER 19-33		1		100		
015	257173-2	RING 12		1		100		
016	221575-8	HELICAL GEAR 43		1				
017	961052-5	RETAINING RING S-12		1		100		
018	210028-2	BALL BEARING 606ZZ		1		100		
019	213560-5	O RING 44		1		100		
020	265117-8	+PAN HEAD SCREW M6X20		1		100		
021	262556-3	RUBBER SLEEVE 6		1		100		
022	144729-9	BLADE CASE COMPLETE		1				
C10	213415-4	O RING 28		1		100		
023	233117-6	COMPRESSION SPRING 6		1		100		
024	347284-2	SHAFT LOCK		1				
025	211131-2	BALL BEARING 6001DDW		1		100		
026	241876-8	FAN 76		1		100		
027A	515431-5	ARMATURE ASSEMBLY 115V		1	*			
D10		INC. 25,26,28,29			*			
027B	515434-9	ARMATURE ASSEMBLY 240V		1				
D10		INC. 25,26,28,29						
027-1A	517971-9	ARMATURE ASSY 115V	<	1				
D10		INC. 25,26,28,29						
028	681644-1	INSULATION WASHER		1		100		
029	210005-4	BALL BEARING 608DDW		1		100		
030	253192-6	FLAT WASHER 14		1		100		
031	261109-5	RUBBER WASHER 13		1				
032	458033-3	BAFFLE PLATE		1				
033	266352-1	TAPPING SCREW 5X65		2		100		
034A	594676-8	FIELD ASSY 115V		1				
034B	594679-2	FIELD ASSY 220-240V		1				
C30	689055-4	RING TERMINAL RETAINER 15.5		2		100		
C10	654020-2	RING TERMINAL		2		100		

Please order the parts with part number.

Print Date 11/3/2019

## Model No.HS7611 185/190MM CIRCULAR SAW

Item	Parts No.	Description	I/C	QTY	New/Old	Opt. 1	Opt. 2	NOTE
C20	654501-6	CONNECTOR P-1.25		2		100		
035	266326-2	TAPPING SCREW 4X18		5		100		
036	854B74-3	HS7611 NAME PLATE		1				
037	265104-7	PAN HEAD SCREW M5X40		3		100		
038	643750-0	BRUSH HOLDER CAP 7-11		2		100		
039	191963-2	CARBON BRUSH CB-303		1		100		
040	144767-1	MOTOR HOUSING COMPLETE		1				
C10	643708-9	BRUSH HOLDER 5-11		2		100		
041A	682574-9	CORD GUARD 10-90		1		100		
041B	682540-6	CORD GUARD 9.3-90		1		100		
042A	695217-4	POWER SUPPLY CORD 1.5-2-2.5		1		100		
042B	692527-0	POWER SUPPLY CORD 1.0-2-2.5		1		100		
043A	687140-7	STRAIN RELIEF		1		100		
043B	687124-5	STRAIN RELIEF		1		100		
044	266326-2	TAPPING SCREW 4X18		2		100		
045	458087-0	HANDLE COVER		1				
046	650245-6	SWITCH SGE115CDY-10		1				
047	654532-5	TERMINAL BLOCK 1P		1		100		
048	645200-1	NOISE SUPPRESSOR		1		100		
049	346311-2	LEVER PLATE		1		100		
050	257953-6	BOW STOP RING E-12		1		100		
051	252199-9	HEX. NUT M8-13		1		100		
052	941201-0	FLAT WASHER 8		1		100		
053	161776-5	DEPTH GUIDE COMPLETE		1				
054	266396-1	FLATHEAD SQUARENECKBOLT M8X24		1		100		
055	233376-2	COMPRESSION SPRING 8		1		100		
056	346826-9	BASE		1				
057	265118-6	+ PAN HEAD SCREW M5		1		100		
058	256480-0	SHOULDER PIN 6-7		1		100		
059	346827-7	ANGULAR GUIDE		1				
060	252103-8	HEX. LOCK NUT M5-8		1		100		
061	265701-9	THUMB SCREW M6X14		1		100		
062	317031-5	ANGULAR PLATE		1				
063	941151-9	FLAT WASHER 6		1		100		
064	942151-2	SPRING WASHER 6		1		100		
065	265708-5	THUMB SCREW M6X20		1		100		
069	265701-9	THUMB SCREW M6X14		1		100		
070	942151-2	SPRING WASHER 6		1		100		
071	941151-9	FLAT WASHER 6		1		100		
072	265701-9	THUMB SCREW M6X14		1		100		
073	233376-2	COMPRESSION SPRING 8		1		100		
074	346847-1	BRACKET		1				
075	346846-3	PLATE		1				
076	911106-8	PAN HEAD SCREW M4X8		2		100		

Please order the parts with part number.

Print Date 11/3/2019

## Model No.HS7611 185/190MM CIRCULAR SAW

Item	Parts No.	Description	I/C	QTY	New/Old	Opt. 1	Opt. 2	NOTE
077	265085-5	+ COUNTERSUNK HEAD SCREW M4X8		2		100		
078	265085-5	+ COUNTERSUNK HEAD SCREW M4X8		2		100		
079	266436-5	H.S.SET SCREW(FLAT POINT) M5X8		2				
080	912212-2	COUNTERSUNK HEAD SCREW M5X12		5		100		
081	231469-9	COMPRESSION SPRING 4		1		100		
082	453284-3	LOCK OFF BUTTON		1		100		
A01	783217-7	HEX. WRENCH 5		1				
A02	B-07967	T.C.T.SAW BLADE 190X30X12T		1				
A03	164095-8	GUIDE RULE		1				
A04	196520-1	DUST NOZZLE SET		1				
A05	821552-6	CONNECTOR PLASTIC CASE (TYPE4)		1				
C10	453974-8	LATCH		4		100		
A06	816P28-2	HS7611J INDICATION LABEL		1				
A07	816P29-0	HS7611J PLASTIC CASE LABEL		2				
A08	839500-1	INNER TRAY		1				
E01A	655030-2	PLUG UK TYPE 16A-4H/110V		1				

Please order the parts with part number.

Print Date 11/3/2019