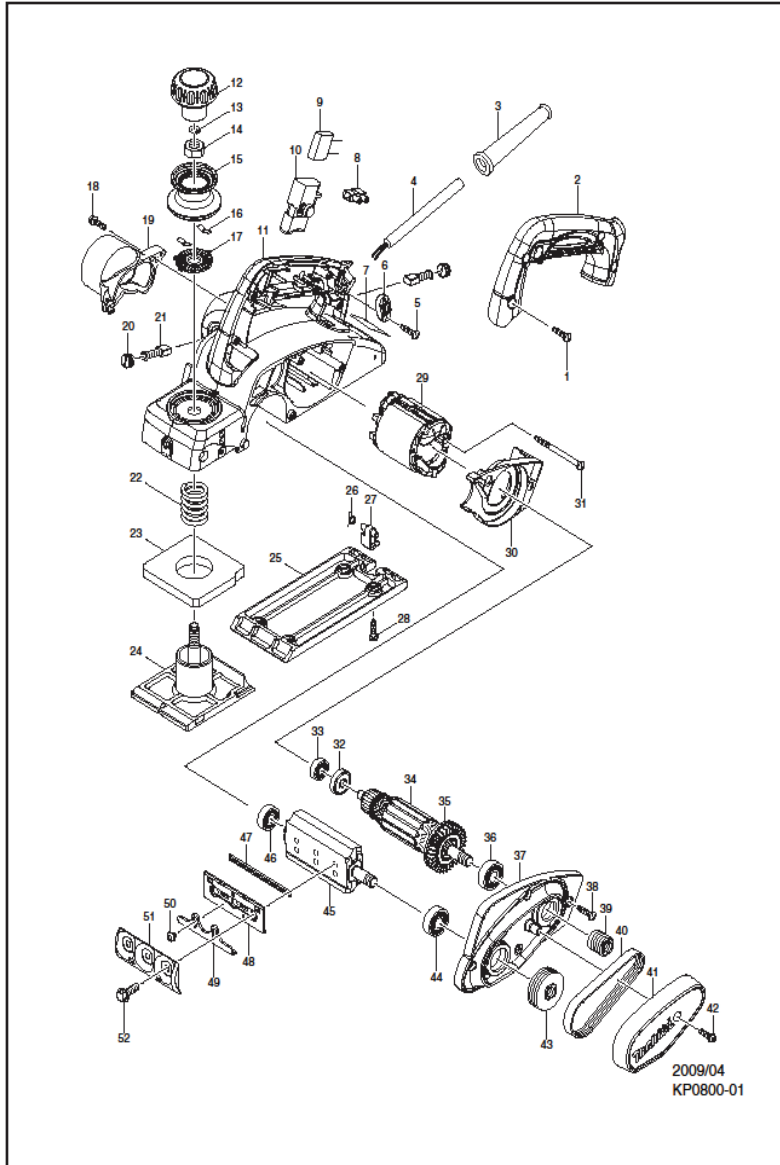


# KP0800



REF.	CODE	DESCRIPTION	UNIT	LIST	REF.	CODE	DESCRIPTION	UNIT
1	266326-2	TAPPING SCREW 4X18	PC					
2	451314-4	HANDLE COVER	PC		C20	419360-3	HANDLE	PC
3	682516-3	CORD GUARD 9.3-85	PC			809342-7	PLASTIC CASE LABEL	PC
4	665918-8	POWER SUPPLY CORD 1.0	PC			655030-2	PLUG UK TYPE 16A-4H	PC
4	692527-0	POWER SUPPLY CORD 1.0	PC			654091-9	NON-INSULATED TERMINAL	PC
5	266326-2	TAPPING SCREW 4X18	PC					
6	687124-5	STRAIN RELIEF	PC					
7	867138-2	KP0800 NAME PLATE	PC					
8	654532-5	TERMINAL BLOCK 1PPC	PC					
9	645200-1	NOISE SUPPRESSOR	PC					
10	650237-5	SWITCH SGE115C-6	PC					
11	140197-4	MAIN FRAME COMPL	PC					
C10	643455-2	BRUSH HOLDER 6X9	PC					
12	451328-3	KNOB COVER	PC					
13	961004-6	RETAINING RING S-8	PC					
14	264028-4	HEX. NUT M10	PC					
15	451324-1	KNOB	PC					
16	232185-6	LEAF SPRING	PC					
17	346110-2	CAM PLATE	PC					
18	911128-8	PAN HEAD SCREW M4X10	PC					
19	451329-1	NOZZLE	PC					
20	643550-8	BRUSH HOLDER CAP 5-8PC	PC					
21	191940-4	CARBON BRUSH CB-411	PC					
22	231004-8	COMPRESSION SPRING 18	PC					
23	421007-7	RUBBER PACKING	PC					
24	318491-4	FRONT BASE	PC					
25	318499-8	BASE	PC					
26	231698-4	TORSION SPRING 7	PC					
27	451392-4	FOOT	PC					
28	266326-2	TAPPING SCREW 4X18	PC					
29	593716-9	FIELD ASSY 115V	PC					
29	593718-5	FIELD ASSY 220-240V	PC					
C10	654100-4	RING TERMINAL	PC					
C20	654501-6	CONNECTOR P-1.25	PC					
30	451327-5	BAFFLE PLATE	PC					
31	266334-3	TAPPING SCREW 4X60	PC					
32	681652-2	INSULATION WASHER	PC					
33	210017-7	BALL BEARING 607DDW	PC					
34	515791-5	ARMATURE ASSY 115V	PC					
34	515794-9	ARMATURE ASSY 240V	PC					
D10		INC. 32333536						
35	240052-1	FAN 46	PC					
36	211088-7	BALL BEARING 6000DDW	PC					
37	140201-9	BRACKET COMPLETE	PC					
C10	263002-9	RUBBER PIN 4	PC					
38	266326-2	TAPPING SCREW 4X18	PC					
39	222163-4	V PULLEY 4-20L	PC					
40	225007-7	POLY V-BELT 4-241	PC					
41	451326-7	BELT COVER	PC					
42	911128-8	PAN HEAD SCREW M4X16	PC					
43	222164-2	V PULLEY 4-37	PC					
44	211088-7	BALL BEARING 6000DDW	PC					
45	161061-6	DRUM	PC					
46	211032-4	BALL BEARING 608ZZ	PC					
47	A-82921	T.C.T. MINI PLAYER BLADE	PC					
48	343433-9	SET PLATE F/MINI BLADE	PC					
49	345644-2	ADJUST PLATE	PC					
50	265132-2	#NAME?	PC					
51	345007-2	DRUM PLATE	SET					
52	251609-3	HEX. FLANGE HEAD BOLT	PC					
53	123062-2	BLADE GAUGE ASSY	PC					
C10	911228-4	PAN HEAD SCREW M5X18	PC					
C20	411086-3	GAUGE PLATE	PC					
	782209-3	SOCKET WRENCH 9	PC					
	824892-1	PLASTIC CARRYING CASE	PC					