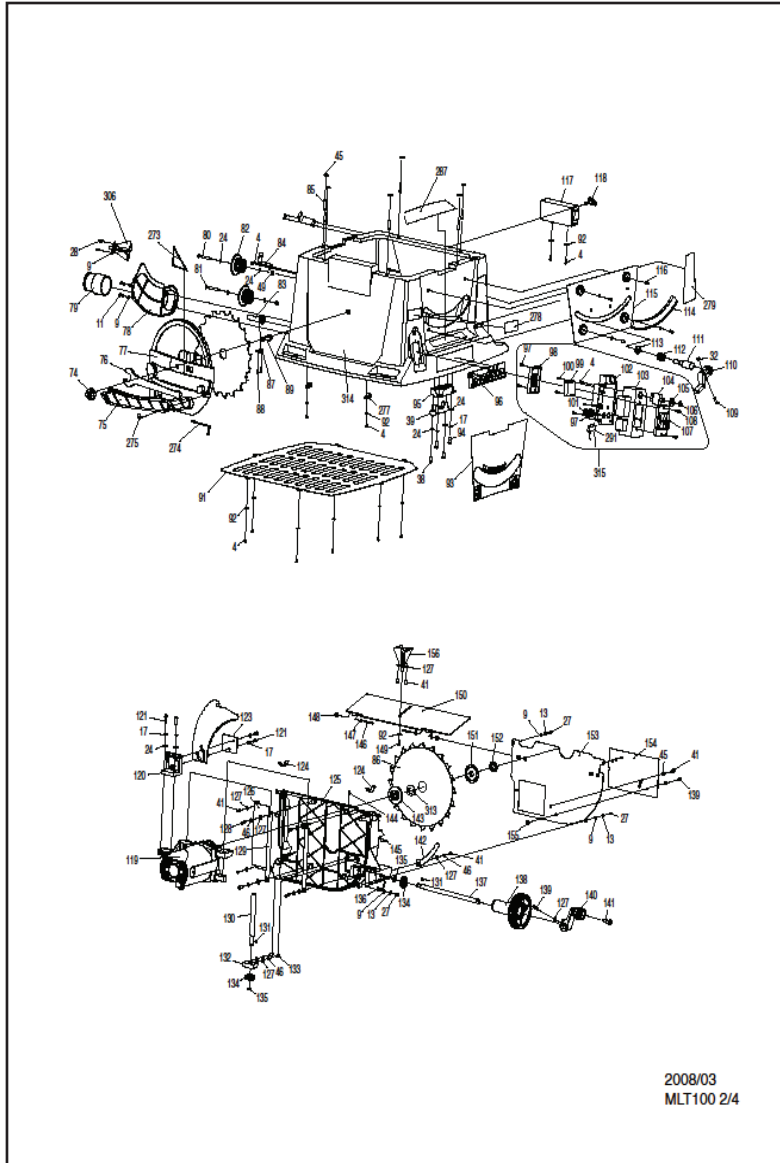


# MLT100



2008/03  
MLT100 2/4

REF. CODE	DESCRIPTION	UNIT	LIST	REF. CODE	DESCRIPTION	UNIT	LIST
132	JM27000160	ADJUSTING BRACKET	PC	197	JM27000227	HANDLE	PC
133	JM27000161	HS BOLT M5X20	PC	198	JM27000228	PIN 3X25	PC
134	JM27000162	BEVEL GEAR	PC	199	JM27000229	ARM	PC
135	JM27000163	RETAINING RING 10	PC	200	JM27000230	BUSH	PC
136	JM27000164	POINTER	PC	201	JM27000231	H.S. BOLT M6X10	PC
137	JM27000165	ROD	PC	202	JM27000232	PIN	PC
138	JM27000166	WHEEL	PC	203	JM27000233	RETAINING RING 20	PC
139	JM27000167	CROSS HEAD SCREW M5X12	PC	204	JM27000234	BEARING 9	PC
140	JM27000168	KNOB	PC	205	JM27000235	PRESSION SPRING	PC
141	JM27000169	SCREW	PC	206	JM27000236x	HEAD SUNK SCREW M4X28	PC
142	JM27000170	PROTECTION PLATE	PC	207	JM27000237	HANDLE	PC
143	JM27000171	INNER FLANGE	PC	208	JM27000238	COVER	PC
144	JM27000172	HS BOLT WITH GLUE M6X12	PC	209	JM27000239	ROD	PC
145	JM27000173	PLATE	PC	210	JM27000240	BEARING 17	PC
146	JM27000174	CROSS HEAD SCREW M3X25	PC	211	JM27000241	H.S. BOLT M6X16	PC
147	JM27000175	BIG WASHER 3	PC	212	JM27900022	HANDLE	PC
148	JM17000176	HEX LOCK NUT M3	PC	213	JM27000243	HANDLE	PC
149	JM27000177	TAPPING SCREW ST3.9X10	PC	214	JM27000244	HEX NUT M4	PC
150	JM260001778	PROTECTION PLATE	PC	215	JM27000245	HEX NUT M10	PC
151	JM27000179	OUTER FLANGE	PC	216	JM27000246	HEX BOLT M10X55	PC
152	JM27000180	NUT M16	PC	217	JM27000247	BASE	PC
153	JM27000181	PROTECTION PLATE	PC	218	JM27000248	KNOB	PC
154	JM27000182	PLATE	PC	219	JM27000249	PIN	PC
155	JM27000183	NUT M5	PC	220	JM27000250	CONNECTOR	PC
156	JM27000184	SUPPORT BRACKET	PC	221	JM27000251	CHAIN	PC
157	JM27000185	COVER	PC	222	JM27000252	PAD	PC
158	JM27000186	HANDLE	PC	223	JM27000253	BOLT	PC
159	JM27000187	PIN 3X30	PC	224	JM27000254	BUSH	PC
160	JM27000188	PIN	PC	225	JM27000255	HEX NUT M10	PC
161	JM27000189	ECCENTRIC WHEEL	PC	226	JM27000256	BRACKET	PC
162	JM27000190	FRICITION PAD	PC	227	JM27000257	HANDLE	PC
163	JM27000191	PIN	PC	228	JM27000258	HANDLE	PC
164	JM27000192	BRACKET	PC	229	JM27000259	HEX BOLT M8X40	PC
165	JM27000193	PRESSION SPRING	PC	230	JM27000260	CONNECTION PLATE	PC
166	JM27000194	PAW	PC	231	JM27000261	BIG WASHER 8	PC
167	JM27000195	LOCK PLATE	PC	232	JM27000262	LOCK NUT M8	PC
168	JM27000196	SCREW	PC	233	JM27000263	NUT	PC
169	JM27000197	POINTER	PC	234	JM27000264	FEET	PC
170	JM27000198	CROSS HEAD SCREW M4X8	PC	235	JM27000265	BUSH	PC
171	JM27000199	BRACKET	PC	236	JM27000266	WHEEL	PC
172	JM27000200	INSERT	PC	237	JM27000268	RIVET 6X10	PC
173	JM27000201	RIP FENCE	PC	238	JM27000269	BRACKET	PC
174	JM27000203	LOCK NUT	PC	239	JM27000270	SCREW	PC
175	JM27000204	SQUARE NECK BOLT M6X60	PC	240	JM27000271	SPRING	PC
176	JM27000205	INSERT	PC	241	JM27000272	BUSH	PC
177	JM27000206	SLIDING BAR	PC	242	JM27000273	STEP	PC
178	JM27000207	POINTER	PC	243	JM27000274	RETAINING RING 24	PC
179	JM27000208	FLAT WASHER 3	PC	244	JM27000275	NUT	PC
180	JM27000209	CROSS HEAD SCREW M3X8	PC	245	JM27000276	STAND	PC
181	JM27000210	WING NUT	PC	246	JM27000285	CORD 9	PC
182	JM27000211	BIG WASHER 6	PC	247	JM27000292	CROSS HEAD SCREW M5X8	PC
183	JM27000212	WASHER	PC	248	JM27000293	COVER	PC
184	JM27000213	LOCK KNOB	PC	249	JM27000294	BRUSH COVER	PC
185	JM27000214	SCALE LABEL	PC	250	JM27000295	CARBON BRUSH 2PCS SET	PC
186	JM27000215	HANDLE	PC	251	JM27000296	BRUSH HOLDER	PC
187	JM27000216	PIN	PC	252	JM27000297	MOTOR HOUSE	PC
188	JM27000217	THREAD ROD	PC	253	JM27000299	CLAMP PLATE	PC
189	JM27000218	LINK	PC	254	JM27000361	ABSORB RING	PC
190	JM27000219	PLATE	PC	255	JM27000301	BEARING 6001-2Z	PC
191	JM27000220	INSERT	PC	256	JM27000304	STATOR (110V)	PC
192	JM27000221	FENCE	PC	257	JM27000305	X HEAD TAPPING SCREW	PC
193	JM27000222	SQUARE NECK BOLT M6X30	PC	258	JM27000308	ROTOR (110V)	PC
194	JM27000223	MITRE GAUGE	PC	259	JM27000312	BEARING 6201-2Z	PC
195	JM27000225	PAD	PC	260	JM27000313	RING	PC
196	JM27000226	SCREW	PC	261	JM27000314	GEAR BOX	PC