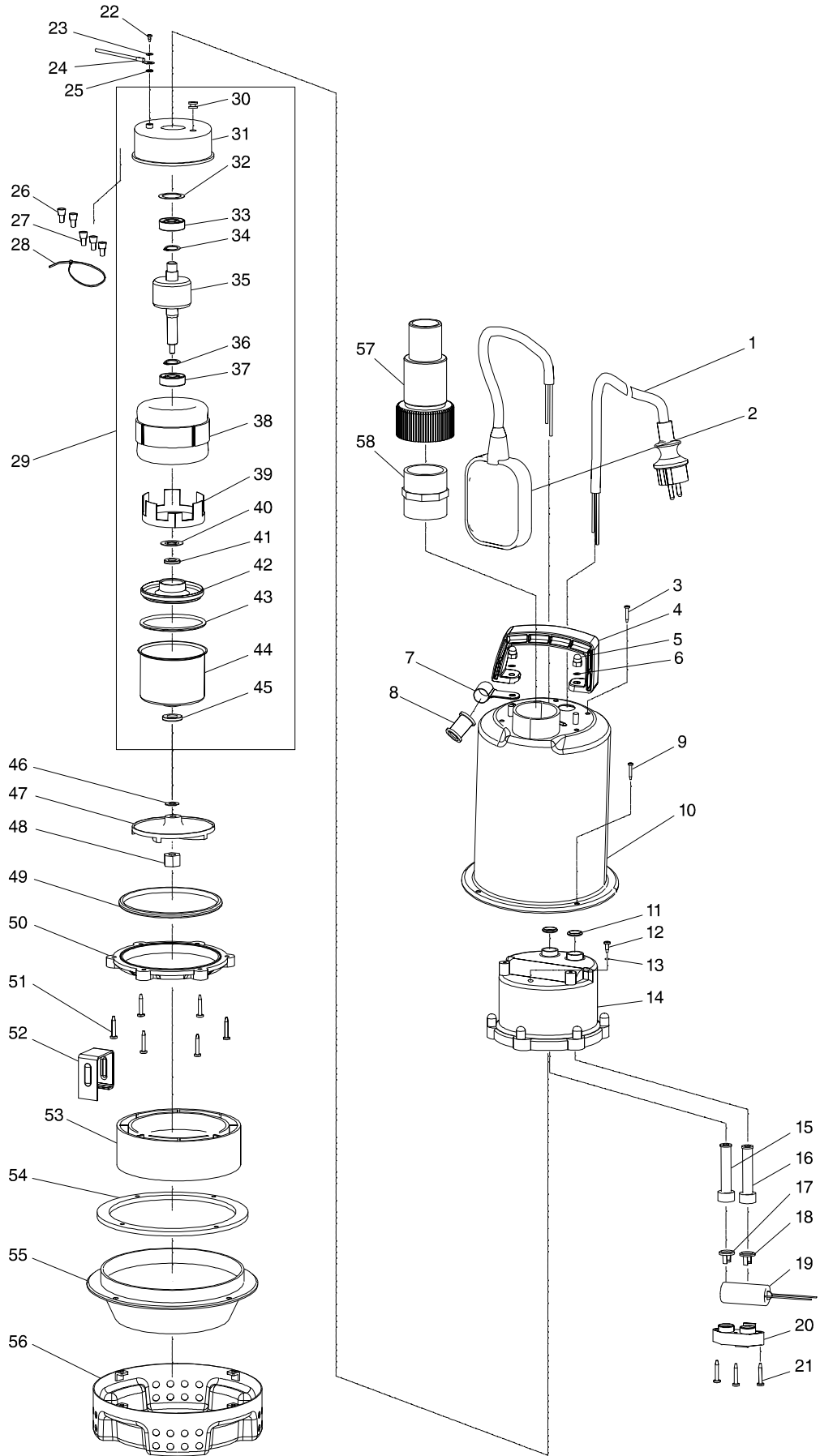


Model No. PF1100 SUBMERSIBLE PUMP



Model No. PF1100 SUBMERSIBLE PUMP

Item	Parts No.	Description	I/C	QTY	N/O	Opt. 1	Opt. 2	NOTE
001	609027795	POWER SUPPLY CORD 1.0-3-10		1				
002	609026209	FLOAT SWITCH BLUE		1				
003	609026213	Y-HEAD TAPPING SCREW 4X12 INOX		5				
004	609024798	HANDLE BLUE		1				
005	609024637	HEX. CAP NUT M5 INOX		2				
006	609024638	FLAT WASHER 5 INOX		2				
007	609024650	CORD CLAMP INOX		1				
008	609026214	CORD GUARD		1				
009	609024639	+ PAN HEAD SCREW M4X10 INOX		4				
010	609024687	UPPER HOUSING INOX		1				
011	609024641	O-RING 15		2				
012	JH00000002	TAPPING SCREW		1				
013	JH00000003	O-RING		1				
014	609024642	WATER PROOF INNER HOUSING		1				
015	609024588	CORD GUARD 8.5		1				
016	609024588	CORD GUARD 8.5		1				
017	609024590	CORD CLAMP 8.5		1				
018	609024590	CORD CLAMP 8.5		1				
019	JH00000045	CAPACITOR 16 MICRO F		1				
020	609024592	CAPACITOR HOLDER		1				
021	609024593	TAPPING SCREW 4X32		3				
022	609024601	SCREW M4X8		1				
023	609024596	SPRING WASHER 4		1				
024	JH00000004	GROUND WIRE ASSY		1				
025	609024600	TOOTHED LOCK SPRING WASHER 4		1				
026	609024629	CLOSED END SPLICE 5.5-SD		2				
027	609024630	CLOSED END SPLICE 2-SD		3				
028	609024632	CABLE TIE		1				
029	JH00000069	MOTOR ASSY 230V 50HZ		1				
D10		INC. 30-45						
030	609024595	GROMMET 10		1				
031	609024594	MOTOR HOUSING UPPER SIDE		1				
032	609024602	WAVE WASHER 25		1				
033	609024603	BALL BEARING 6201Z		1				
034	961052-5	RETAINING RING S-12		1	100			
035	JH00000053	ROTOR		1				
036	961052-5	RETAINING RING S-12		1	100			
037	609024603	BALL BEARING 6201Z		1				
038	JH00000054	STATOR ASSY 230V 50HZ		1				
039	609024667	LINING RING		1				
040	609024607	SHIM		1				
041	609024608	SKELETON SEAL RING		1				
042	609024609	BEARING BOX		1				
043	609024610	O-RING		1				
044	609024611	MOTOR HOUSING LOWER SIDE		1				
045	609024608	SKELETON SEAL RING		1				
046	609024613	SPACER WASHER 12		1				
047	609024614	IMPELLER 90		1				

