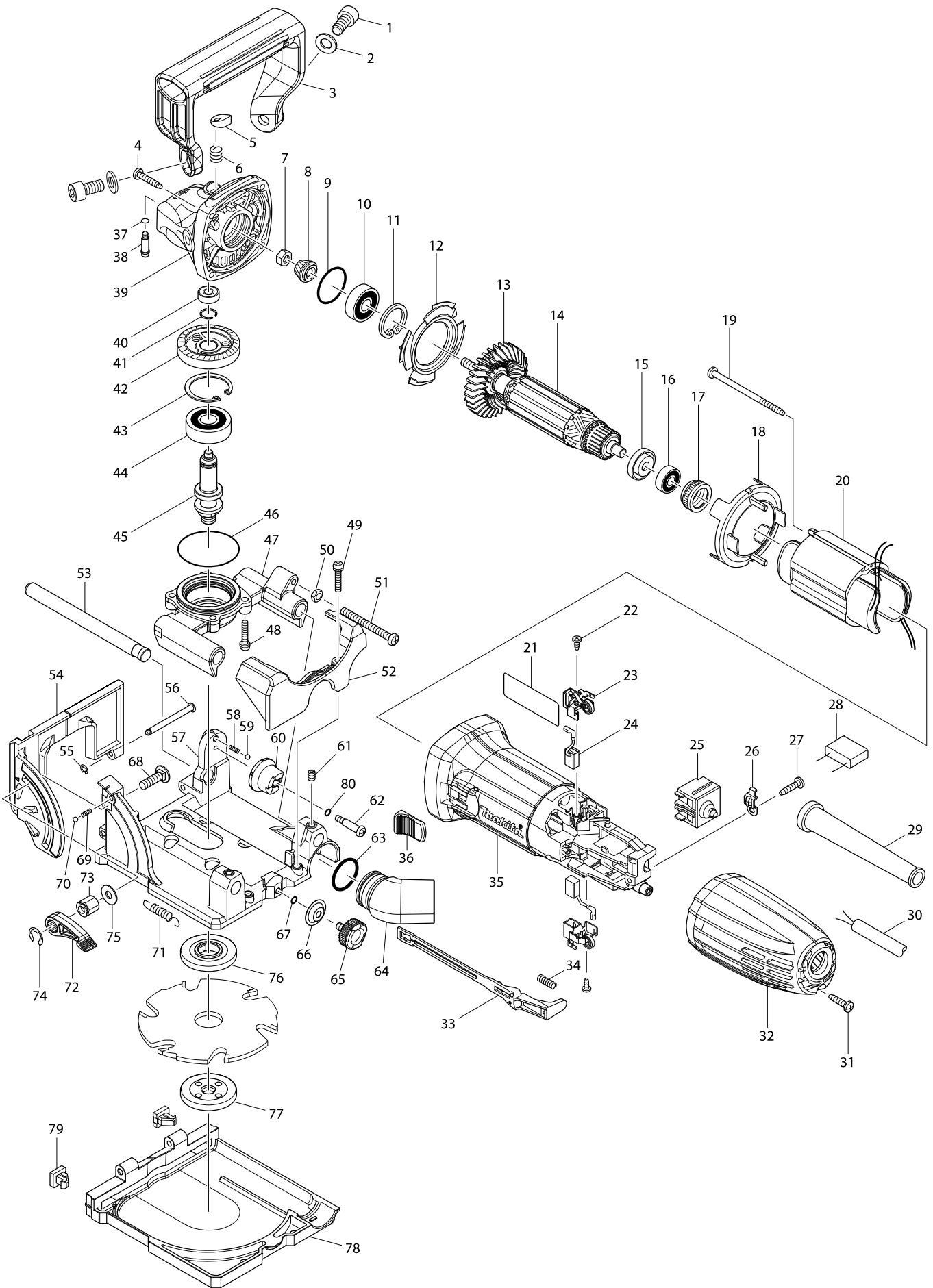


# Model No. PJ7000 PLATE JOINER



# Model No. PJ7000 PLATE JOINER

Item	Parts No.	Description	I/C	QTY	N/O	Opt. 1	Opt. 2	NOTE
001	922422-3	HEX. SOCKET HEAD BOLT M8X16		2		100		
002	941202-8	FLAT WASHER 8		2		100		
003	453218-6	GRIP		1		100		
004	266324-6	TAPPING SCREW 4X22		4		100		
005	417771-6	PIN CAP		1		100		
006	234057-1	COMPRESSION SPRING 8		1		100		
007	252186-8	HEX. NUT M6		1		100		
008	227545-5	SPIRAL BEVEL GEAR 10		1		154		
009	213445-5	O-RING 26		1		100		
010	211092-6	BALL BEARING 629DDW		1		100		
011	962105-3	RETAINING RING R-26		1		100		
012	413126-3	GUIDE PLATE		1		100		
013A	240107-2	FAN 56		1	*	154		
013B	240107-2	FAN 56		1	*	154		
013-1A	240139-9	FAN 56	O	1		154		
013-1B	240139-9	FAN 56	O	1		154		
013-1C	240139-9	FAN 56		1		154		
013-1D	240139-9	FAN 56		1		154		
D10		INC. 13,15,16						
014A	517646-0	ARMATURE ASS'Y 115V		1		151		
014B	517649-4	ARMATURE ASS'Y 240V		1		151		
014C	517646-0	ARMATURE ASS'Y 115V		1		151		
014D	517649-4	ARMATURE ASS'Y 240V		1		151		
015	681636-0	INSULATION WASHER		1		100		
016	210034-7	BALL BEARING 607LLB		1		100		
017	421868-5	LABYRINTH RUBBER RING 19		1		100		
018	450796-7	BAFFLE PLATE		1		100		
019	266325-4	TAPPING SCREW 4X70		2		100		
020A	623531-8	FIELD 115V		1		152		
020B	623533-4	FIELD 220-240V		1		152		
020C	623531-8	FIELD 115V		1		152		
020D	623533-4	FIELD 220-240V		1		152		
021	896483-8	PJ7000 NAME PLATE		1		100		
022	266492-5	TAPPING SCREW 3X8		2		100		
023	643839-4	BRUSH HOLDER 6X9		2		100		
024	194722-3	CARBON BRUSH CB-459		1		100		
025	650621-4	SWITCH PS10		1		100		
026	687682-1	STRAIN RELIEF		1		100		
027	266326-2	TAPPING SCREW 4X18		1		100		
028	638739-1	CAPACITOR UNIT		1		100		
029	682516-3	CORD GUARD 9.3-85		1		100		
030A	665918-8	POWER SUPPLY CORD 1.0-2-2.5		1		100		
030B	692527-0	POWER SUPPLY CORD 1.0-2-2.5		1		100		
030C	665918-8	POWER SUPPLY CORD 1.0-2-2.5		1		100		
030D	692527-0	POWER SUPPLY CORD 1.0-2-2.5		1		100		
031	266326-2	TAPPING SCREW 4X18		1		100		
032	450794-1	REAR COVER		1		100		
033	450797-5	SWITCH LEVER		1		100		

# Model No. PJ7000 PLATE JOINER

Item	Parts No.	Description	I/C	QTY	N/O	Opt. 1	Opt. 2	NOTE
034	233121-5	COMPRESSION SPRING 4		1	100			
035	450795-9	MOTOR HOUSING		1	100			
036	419566-3	SWITCH KNOB		1	100			
037	213032-0	O RING 4		1	100			
038	256510-7	SHOULDER PIN 4		1	100			
039	141327-0	GEAR HOUSING COMPLETE		1	100			
C10	263002-9	RUBBER PIN 4		1	100			
040	210033-9	BALL BEARING 696ZZ		1	100			
041	233950-6	RING SPRING 11		1	100			
042	227546-3	SPIRAL BEVEL GEAR 37		1	154			
043	962151-6	RETAINING RING R-32		1	100			
044	211129-9	BALL BEARING 6201DDW		1	100			
045	326120-5	SPINDLE		1	100			
046	213561-3	O RING 42		1	155			
047	318811-2	BEARING BOX		1	100			
048	911136-9	PAN HEAD SCREW M4X20		4	100			
049	911136-9	PAN HEAD SCREW M4X20		2	100			
050	931203-4	HEX. NUT M5		1	100			
051	266741-0	PAN HEAD SCREW M5X50		1	100			
052	453406-5	BASE COVER		1	100			
053	326145-9	ROD 10		2	100			
054	141247-8	FENCE COMPLETE		1	100			
C10	890236-7	SCALE PLATE		1	100			
055	961017-7	STOP RING E-3		2	100			
056	256689-4	PIN 4		2	100			
057	318813-8	BASE		1	100			
058	231282-5	COMPRESSION SPRING 2.4		1	100			
059	216001-0	STEEL BALL 3.5		1	100			
060	318814-6	STOPPER		1	100			
061	266264-8	H.S.SET SCREW(FLAT POINT)M5X6		2	100			
062	266738-9	+PAN HEAD SCREW M4		1	100			
063	213008-7	O RING 22.4		1	100			
064	415252-4	DUST NOZZLE		1				
065	265785-7	THUMB SCREW M5X10		1	100			
066	232131-9	LEAF SPRING		1	100			
067	213023-1	O RING 4		1	100			
068	266737-1	FLAT HEAD SQ. NECK BOLT M6X20		1	100			
069	231282-5	COMPRESSION SPRING 2.4		1	100			
070	216001-0	STEEL BALL 3.5		1	100			
071	231795-6	TENSION SPRING 8		2	100			
072	272263-0	LEVER 40		1	100			
073	252159-1	HEX. NUT M6		1	100			
074	961014-3	STOP RING E-8		1	100			
075	253804-1	FLAT WASHER 6		1	100			
076	224280-6	INNER FLANGE 40		1	100			
077	224505-8	LOCK NUT 10-40		1	100			
078	318845-5	BLADE COVER		1	100			
079	424479-5	RUBBER SPIKE		2	100			

