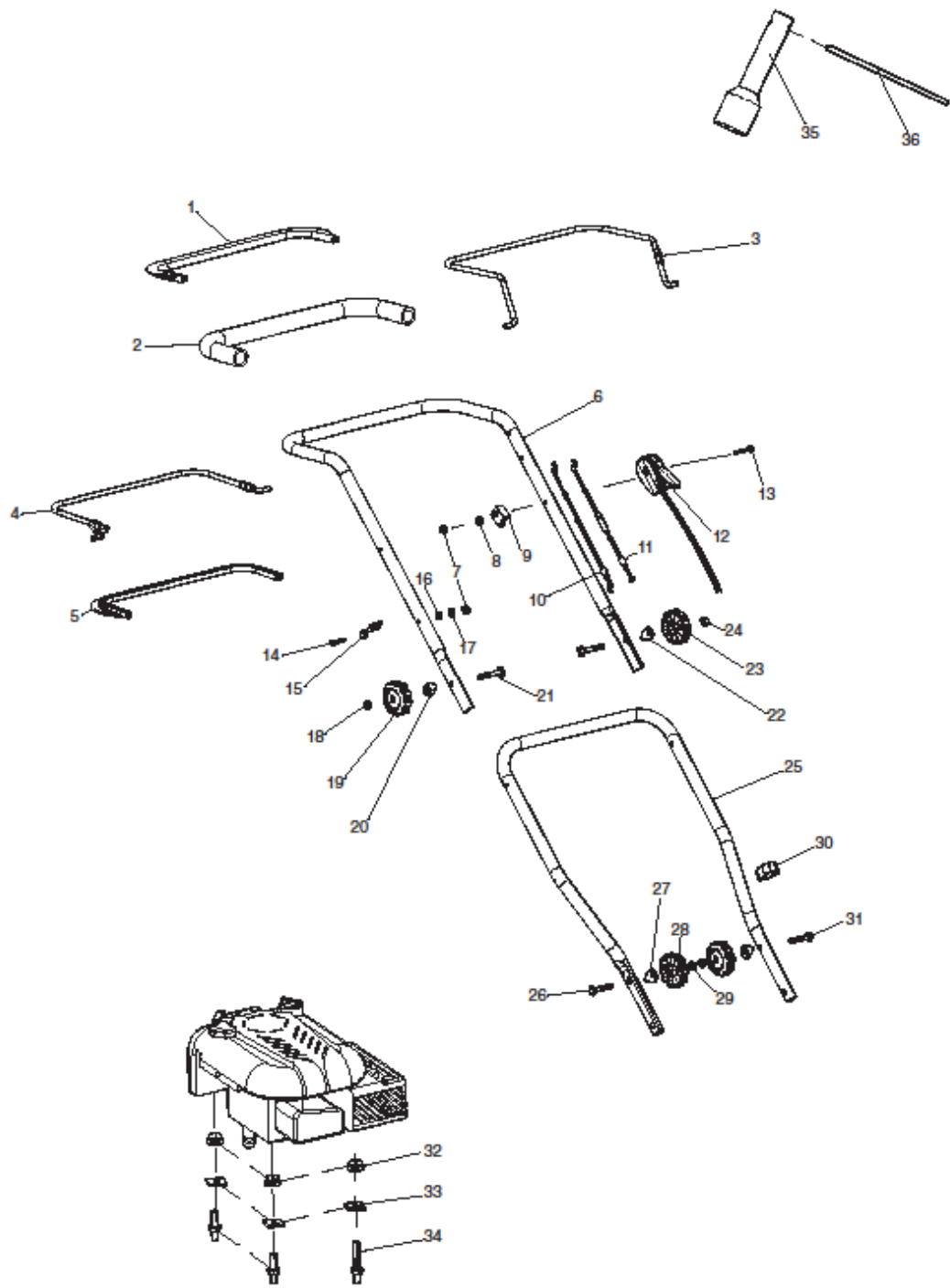


Pos No	Parts No	Description	Qty
001	671687001	PULLING POLE BUCKLE	1
002	671103001	HANDLE SHEATH	1
003	DA00001087	FRAMOUT POLE	1
004	DA00001060	DRIVING POLE	1
005	671687001	PULLING POLE BUCKLE	1
006	671001814	UPPER HANDLE	1
007	DA00000575	LID SHAPE NUT M6	2
008	DA00000574	FLAT WASHER	1
009	DA00000573	CABLE FIXING PLATE	1
010	DA00001164	FRAMOUT CABLE	1
011	DA00000952	DRIVING CABLE	1
012	DA00001165	THROTTLE ASS'Y	1
013	DA00000572	HEXAGON FLANGE BOLT	1
014	DA00000577	HEXAGON FLANGE BOLT	1
015	DA00000579	CABLE HOOK	1
016	DA00000574	FLAT WASHER	1
017	DA00000576	SPRING WASHER	1
018	DA00000563	HEXAGON NUT	1
019	DA00000564	KNOB	1
020	DA00000924	GASKET	1
021	DA00000569	FLAT HEAD BOLT	2
022	DA00000924	GASKET	1
023	DA00000564	KNOB	1
024	DA00000563	HEXAGON NUT	1
025	DA00000951	LOWER HANDLE	1
026	DA00000566	BOLT	1
027	DA00000924	GASKET	2
028	DA00000564	KNOB	2
029	DA00000563	HEXAGON NUT	2
030	DA00001170	CABLE CLAMP	1
031	DA00000566	BOLT	1
032	DA00000537	HEXAGON FLANGE LOCK NUT	3
033	DA00000582	SQUARE WASHER	3
034	DA00000617	SPECIAL BOLT	3
035	DA00000583	WRENCH	1
036	DA00000584	WRENCH POLE	1
037	671689001	GEAR BOX PROTECTING COVER	1
038	671314001	COVER FIXING CAP	2
039	DA00000614	SELF-TAPPING SCREW ST4.8*19	4
040	DA00000562	HEXAGON FLANGE BOLT	2
041	671001710	HEIGHT ADJUSTMENT BOARD	1
042	DA00000537	HEXAGON FLANGE LOCK NUT	2
043	DA00000588	RIGHT BRACKET OF HANDLE (BLUE)	1
044	DA00000562	HEXAGON FLANGE BOLT	4
045	DA00000587	LIEFT BRACKET OF HANDLE (BLUE)	1
046	DA00000537	HEXAGON FLANGE LOCK NUT	4
047	DA00000560	SIDE DISCHARGE PROTECTING	1
048	DA00000559	SIDE DISCHARGE COVER BOARD	1
049	DA00000556	SIDE DISCHARGE SPRING	1

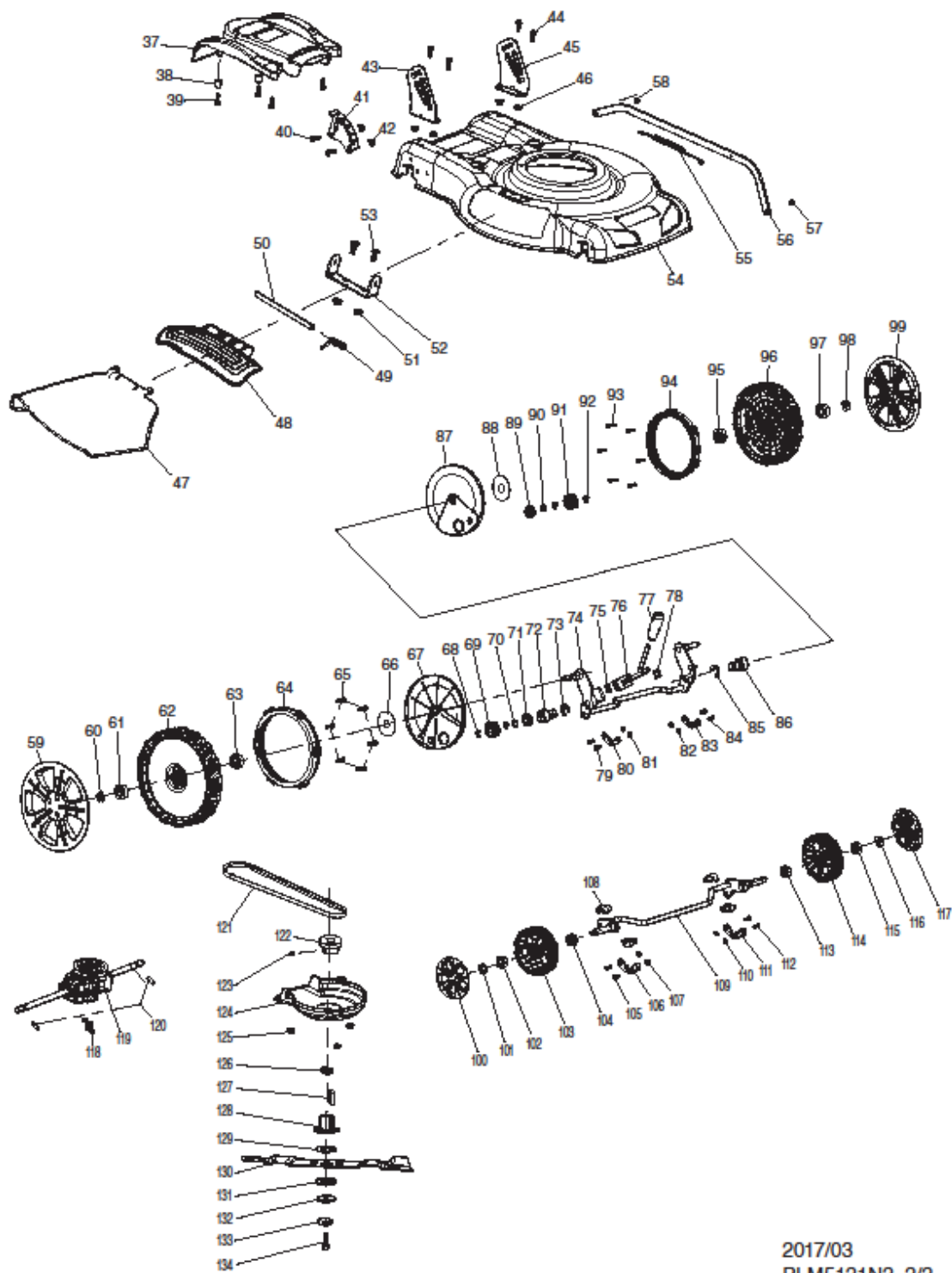
050	DA00000558	AXIS	1
051	DA00000543	METAL HEXAGON FLANGE LOCK NUT	2
052	DA00000555	PRESSING BOARD	1
053	DA00000552	TRIGGER SCREW	2
054	671015250	DECK(MAKITA BLUE)	1
055	DA00000546	CONNECTION ROD SPRING	1
056	671001813	CONNECTION ROD	1
057	DA00000549	HEXAGON LOCK NUT	1
058	DA00000549	HEXAGON LOCK NUT	1
059	671001322	11 WHEEL COVER	1
060	DA00000537	HEXAGON FLANGE LOCK NUT	1
061	DA00000538	BEARING	1
062	671002021	11 WHEEL ASS'Y	1
063	DA00000538	BEARING	1
064	671200010	WHEEL GEAR RING	1
065	DA00000603	SELF-TAPPING SCREW	6
066	671007065	WASHER	1
067	671251800	DUST-PROOF WHEEL COVER	1
068	DA00000604	OPEN BLOCK RING	2
069	DA00001091	RIGHT GEAR	1
070	671007059	FLAT WASHER	1
071	DA00001029	BEARING	1

072	DA00000610	BEARING SHEATH	1
073	DA00000612	OPEN BLOCK RING	1
074	671001812	REAR WHEEL AXIS SS'Y	1
075	DA00000549	HEXAGON LOCK NUT	2
076	671001707	HANDLE	1
077	DA00001058	HANDLE SHEATH	1
078	671002030	CROSS HEAD SCREW M6X14	2
079	671002019	TRIGGER SCREW	2
080	DA00000542	FIXING RING FOR WHEEL AXIS	1
081	DA00000543	METAL HEXAGON FLANGE LOCK NUT	2
082	DA00000543	METAL HEXAGON FLANGE LOCK NUT	2
083	DA00000542	FIXING RING FOR WHEEL AXIS	1
084	671002019	TRIGGER SCREW	2
085	DA00000612	OPEN BLOCK RING	1
086	DA00000610	BEARING SHEATH	1
087	671251800	DUST-PROOF WHEEL COVER	1
088	671007065	WASHER	1
089	DA00001029	BEARING	1
090	671007059	FLAT WASHER	1
091	DA00001090	LEFT OUTPUT GEAR ASSEMBLY	1
092	DA00000604	OPEN BLOCK RING	2
093	DA00000603	SELF-TAPPING SCREW	6
094	671200010	WHEEL GEAR RING	1
095	DA00000538	BEARING	1
096	671002021	11 WHEEL ASS'Y	1
097	DA00000538	BEARING	1
098	DA00000537	HEXAGON FLANGE LOCK NUT	1
099	671001322	11 WHEEL COVER	1
100	DA00000536	WHEEL COVER	1
101	DA00000537	HEXAGON FLANGE LOCK NUT	1
102	DA00000538	BEARING	1
103	671020160	8 WHEEL ASS'Y	1
104	DA00000538	BEARING	1
105	671002019	TRIGGER SCREW	2
106	DA00000542	FIXING RING FOR WHEEL AXIS	1
107	DA00000543	METAL HEXAGON FLANGE LOCK NUT	2
108	DA00000545	WHEEL AXIS SHEATH	4
109	671001811	FRONT WHEEL AXIS ASS'Y	1
110	DA00000543	METAL HEXAGON FLANGE LOCK NUT	2
111	DA00000542	FIXING RING FOR WHEEL AXIS	1
112	671002019	TRIGGER SCREW	2
113	DA00000538	BEARING	1
114	671020160	8 WHEEL ASS'Y	1
115	DA00000538	BEARING	1
116	DA00000537	HEXAGON FLANGE LOCK NUT	1
117	DA00000536	WHEEL COVER	1
118	671011173	GEAR BOX SPRING	1
119	671502015	GEAR BOX	1
120	DA00000597	COLUMN PIN	2
121	671020380	TRIANGLE BELT	1

122	DA00000599	DRIVING WHEEL	1
123	DA00000598	SCREW	1
124	DA00000594	BELT PROTECTING COVER	1
125	DA00000537	HEXAGON FLANGE LOCK NUT	3
126	671319001	BLADE LINING SHEATH	1
127	DA00000535	FLAT KEY	1
128	671002049	BLADE SUPPORT	1
129	DA00000533	UPPER PRESSING PLATE FOR BLADE	1
130	DA00000944	BLADE	1
131	DA00000531	LOWER PRESSING PLATE FOR BLADE	1
132	DA00000530	BLADE SUPPORT PRESSING PLATE	1
133	DA00000529	LID SHAPE WASHER	1
134	671006141	BLADE TIGHTEN BOLT	1



2017/03
PLM5121N2 1/2



2017/03
 PLM5121N2 2/2

]

