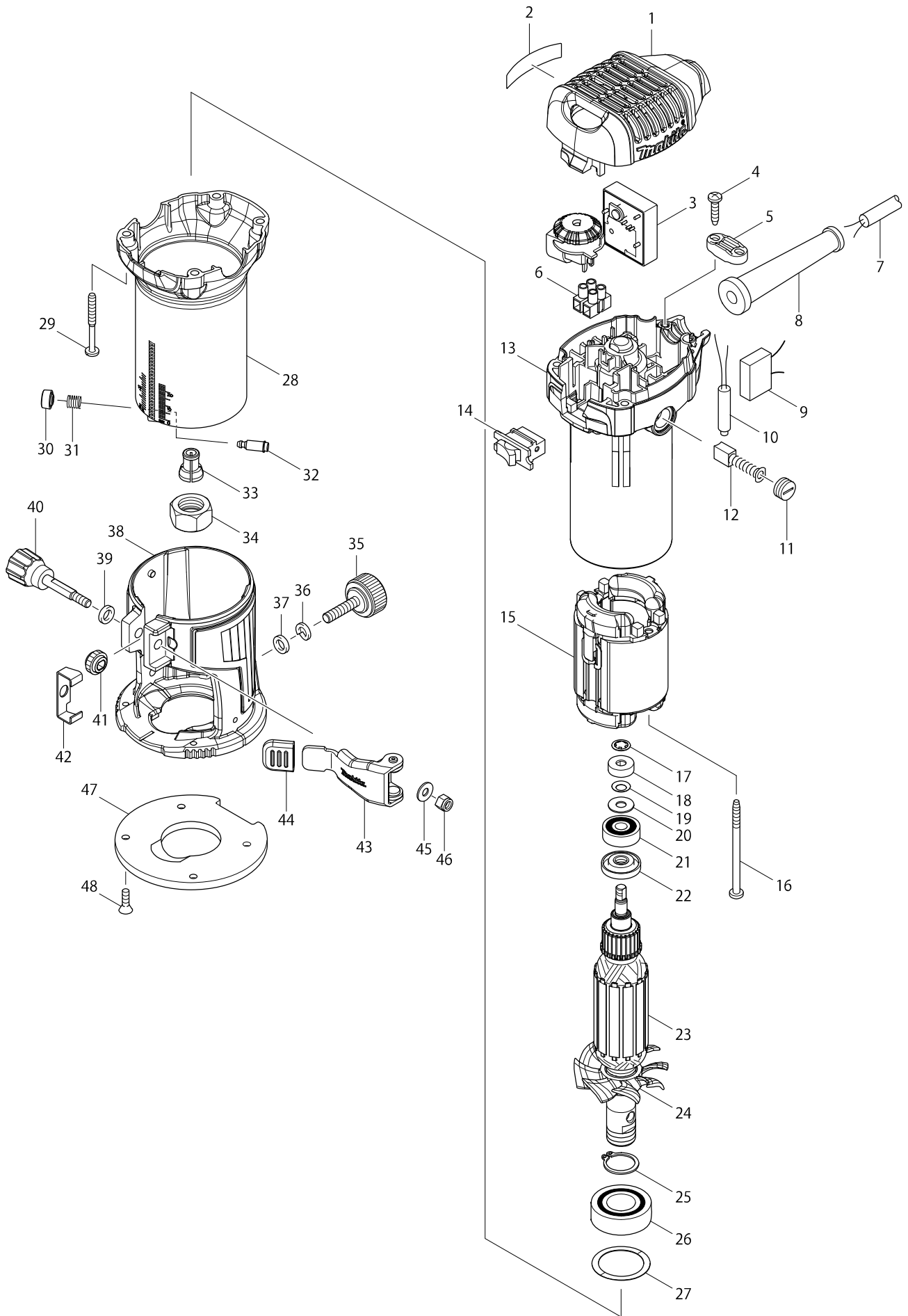


Model No. RT0700C TRIMMER



Model No. RT0700C TRIMMER

Item	Parts No.	Description	I/C	QTY	N/O	Opt. 1	Opt. 2	NOTE
001	452465-6	TOP COVER		1		100		
002	869668-9	RT0700C NAME PLATE		1		100		
003A	620039-3	CONTROLLER		1		100		
003B	620040-8	CONTROLLER		1		100		
003C	620039-3	CONTROLLER		1		100		
003D	620040-8	CONTROLLER		1		100		
003E	620039-3	CONTROLLER		1		100		
003F	620040-8	CONTROLLER		1		100		
003G	620039-3	CONTROLLER		1		100		
003H	620040-8	CONTROLLER		1		100		
003I	620039-3	CONTROLLER		1		100		
003J	620040-8	CONTROLLER		1		100		
003O	620039-3	CONTROLLER		1		100		
003P	620040-8	CONTROLLER		1		100		
003Q	620039-3	CONTROLLER		1		100		
003R	620040-8	CONTROLLER		1		100		
003S	620039-3	CONTROLLER		1		100		
003T	620040-8	CONTROLLER		1		100		
004	266326-2	TAPPING SCREW 4X18		2		100		
005	687124-5	STRAIN RELIEF		1		100		
006	654542-2	TERMINAL BLOCK 2P		1		100		
007A	665918-8	POWER SUPPLY CORD 1.0-2-2.5		1		100		
007B	692527-0	POWER SUPPLY CORD 1.0-2-2.5		1		100		
007C	665918-8	POWER SUPPLY CORD 1.0-2-2.5		1		100		
007D	692527-0	POWER SUPPLY CORD 1.0-2-2.5		1		100		
007E	665918-8	POWER SUPPLY CORD 1.0-2-2.5		1		100		
007F	692527-0	POWER SUPPLY CORD 1.0-2-2.5		1		100		
007G	665918-8	POWER SUPPLY CORD 1.0-2-2.5		1		100		
007H	692527-0	POWER SUPPLY CORD 1.0-2-2.5		1		100		
007I	665918-8	POWER SUPPLY CORD 1.0-2-2.5		1		100		
007J	692527-0	POWER SUPPLY CORD 1.0-2-2.5		1		100		
007O	665918-8	POWER SUPPLY CORD 1.0-2-2.5		1		100		
007P	692527-0	POWER SUPPLY CORD 1.0-2-2.5		1		100		
007Q	665918-8	POWER SUPPLY CORD 1.0-2-2.5		1		100		
007R	692527-0	POWER SUPPLY CORD 1.0-2-2.5		1		100		
007S	665918-8	POWER SUPPLY CORD 1.0-2-2.5		1		100		
007T	692527-0	POWER SUPPLY CORD 1.0-2-2.5		1		100		
008	682516-3	CORD GUARD 9.3-85		1		100		
009	645200-1	NOISE SUPPRESSOR		1		100		
010	646133-3	CHOKE COIL		1		100		
011	643550-8	BRUSH HOLDER CAP 5-8		2		100		
012	191940-4	CARBON BRUSH CB-411		1		100		
013	140736-0	BRACKET COMPLETE		1		100		
C10	643455-2	BRUSH HOLDER 6X9		2		100		
014	651527-9	SWITCH		1		100		
015A	633766-3	FIELD 115V		1		100		
015B	633769-7	FIELD 240V		1		100		
015C	633766-3	FIELD 115V		1		100		

Model No. RT0700C TRIMMER

Item	Parts No.	Description	I/C	QTY	N/O	Opt. 1	Opt. 2	NOTE
015D	633769-7	FIELD 240V		1		100		
015E	633766-3	FIELD 115V		1		100		
015F	633769-7	FIELD 240V		1		100		
015G	633766-3	FIELD 115V		1		100		
015H	633769-7	FIELD 240V		1		100		
015I	633766-3	FIELD 115V		1		100		
015J	633769-7	FIELD 240V		1		100		
015O	633766-3	FIELD 115V		1		100		
015P	633769-7	FIELD 240V		1		100		
015Q	633766-3	FIELD 115V		1		100		
015R	633769-7	FIELD 240V		1		100		
015S	633766-3	FIELD 115V		1		100		
015T	633769-7	FIELD 240V		1		100		
016	266340-8	TAPPING SCREW 4X65		2		100		
017	259039-2	SELF LOCK 6		1		100		
018	688174-3	MAGNET SLEEVE		1	*	100		
018-1	688117-5	MAGNET SLEEVE	O	1		100		
019	253332-6	THIN WASHER 6		1		100		
020	267756-0	WAVE WASHER 6		1		100		
021	210023-2	BALL BEARING 627DDW		1		100		
022	681668-7	INSULATION WASHER		1	*	100		
022-1	681668-7	INSULATION WASHER	O	1		100		
D10		INC. 17-22,24-26						
023A	515841-6	ARMATURE ASS'Y 115V		1		100		
023B	515844-0	ARMATURE ASS'Y 240V		1		100		
023C	515841-6	ARMATURE ASS'Y 115V		1		100		
023D	515844-0	ARMATURE ASS'Y 240V		1		100		
023E	515841-6	ARMATURE ASS'Y 115V		1		100		
023F	515844-0	ARMATURE ASS'Y 240V		1		100		
023G	515841-6	ARMATURE ASS'Y 115V		1		100		
023H	515844-0	ARMATURE ASS'Y 240V		1		100		
023I	515841-6	ARMATURE ASS'Y 115V		1		100		
023J	515844-0	ARMATURE ASS'Y 240V		1		100		
023O	515841-6	ARMATURE ASS'Y 115V		1		100		
023P	515844-0	ARMATURE ASS'Y 240V		1		100		
023Q	515841-6	ARMATURE ASS'Y 115V		1		100		
023R	515844-0	ARMATURE ASS'Y 240V		1		100		
023S	515841-6	ARMATURE ASS'Y 115V		1		100		
023T	515844-0	ARMATURE ASS'Y 240V		1		100		
024	240125-0	FAN 55		1		100		
025	961057-5	RETAINING RING S-17		1		100		
026	210301-0	BALL BEARING 6003DDW		1		100		
027	253906-3	WAVE WASHER 26		1		100		
028	140735-2	OUTER HOUSING COMPLETE		1		100		
029	266560-4	TAPPING SCREW 4X40		4		100		
030	452468-0	PUSH BUTTON		1		100		
031	233127-3	COMPRESSION SPRING 7		1		100		
032	256437-1	PIN 4		1		100		

Model No. RT0700C TRIMMER

Item	Parts No.	Description	I/C	QTY	N/O	Opt. 1	Opt. 2	NOTE
033	763637-1	COLLET CONE 1/4"		1				
034	763615-1	COLLET NUT		1				
035	265763-7	THUMB SCREW M6X25		1		100		
036	942151-2	SPRING WASHER 6		1		100		
037	941151-9	FLAT WASHER 6		1		100		
038	140739-4	TRIMMER BASE COMPLETE		1	*	100		
038-1	142403-3	TRIMMER BASE COMPLETE	<	1		100		
039	941151-9	FLAT WASHER 6		1		100		
040	265792-0	THUMB SCREW M5X35		1		100		
041	227262-7	SPUR GEAR 16		1		100		
042	346392-6	CAM PLATE		1		100		
043	163524-8	LOCK LEVER COMPLETE		1		100		
044	424396-9	RUBBER CAP		1		100		
045	941101-4	FLAT WASHER 5		1		100		
046	252103-8	HEX. LOCK NUT M5-8		1		100		
047	413149-1	BASE PROTECTOR		1	*	100		
047-1	454842-8	BASE PROTECTOR	<	1		100		
048	912112-6	COUNTERSUNK HEAD SCREW M4X10		4		100		
A01	122965-7	STRAIGHT GUIDE ASSEMBLY		1				
C10	252649-4	THUMB NUT M6		1		100		
C20	266339-3	CAP SQUARE NECK BOLT M6X20		1		100		
C30	346382-9	GUIDE PLATE		1				
A02A	195559-1	DUST NOZZLE SET		1				
C10	265774-2	THUMB SCREW M4X19		1		100		
A02B	195559-1	DUST NOZZLE SET		1				
C10	265774-2	THUMB SCREW M4X19		1		100		
A02C	194733-8	DUST NOZZLE SET		1				
C10	213022-3	O RING 3		2		100		
C20	265774-2	THUMB SCREW M4X19		1		100		
A02D	194733-8	DUST NOZZLE SET		1				
C10	213022-3	O RING 3		2		100		
C20	265774-2	THUMB SCREW M4X19		1		100		
A02E	194733-8	DUST NOZZLE SET		1				
C10	213022-3	O RING 3		2		100		
C20	265774-2	THUMB SCREW M4X19		1		100		
A02F	194733-8	DUST NOZZLE SET		1				
C10	213022-3	O RING 3		2		100		
C20	265774-2	THUMB SCREW M4X19		1		100		
A02G	195559-1	DUST NOZZLE SET		1				
C10	265774-2	THUMB SCREW M4X19		1		100		
A02H	195559-1	DUST NOZZLE SET		1				
C10	265774-2	THUMB SCREW M4X19		1		100		
A02I	194733-8	DUST NOZZLE SET		1				
C10	213022-3	O RING 3		2		100		
C20	265774-2	THUMB SCREW M4X19		1		100		
A02J	194733-8	DUST NOZZLE SET		1				
C10	213022-3	O RING 3		2		100		
C20	265774-2	THUMB SCREW M4X19		1		100		

Model No. RT0700C TRIMMER

Item	Parts No.	Description	I/C	QTY	N/O	Opt. 1	Opt. 2	NOTE
A02O	194733-8	DUST NOZZLE SET		1				
C10	213022-3	O RING 3		2		100		
C20	265774-2	THUMB SCREW M4X19		1		100		
A02P	194733-8	DUST NOZZLE SET		1				
C10	213022-3	O RING 3		2		100		
C20	265774-2	THUMB SCREW M4X19		1		100		
A02Q	195559-1	DUST NOZZLE SET		1				
C10	265774-2	THUMB SCREW M4X19		1		100		
A02R	195559-1	DUST NOZZLE SET		1				
C10	265774-2	THUMB SCREW M4X19		1		100		
A02S	194733-8	DUST NOZZLE SET		1				
C10	213022-3	O RING 3		2		100		
C20	265774-2	THUMB SCREW M4X19		1		100		
A02T	194733-8	DUST NOZZLE SET		1				
C10	213022-3	O RING 3		2		100		
C20	265774-2	THUMB SCREW M4X19		1		100		
A03A	343577-5	TEMPLET GUIDE 10		1				
A03B	343577-5	TEMPLET GUIDE 10		1				
A03C	195559-1	DUST NOZZLE SET		1				
C10	265774-2	THUMB SCREW M4X19		1		100		
A03D	195559-1	DUST NOZZLE SET		1				
C10	265774-2	THUMB SCREW M4X19		1		100		
A03E	195559-1	DUST NOZZLE SET		1				
C10	265774-2	THUMB SCREW M4X19		1		100		
A03F	195559-1	DUST NOZZLE SET		1				
C10	265774-2	THUMB SCREW M4X19		1		100		
A03G	343577-5	TEMPLET GUIDE 10		1				
A03H	343577-5	TEMPLET GUIDE 10		1				
A03I	195559-1	DUST NOZZLE SET		1				
C10	265774-2	THUMB SCREW M4X19		1		100		
A03J	195559-1	DUST NOZZLE SET		1				
C10	265774-2	THUMB SCREW M4X19		1		100		
A03O	195559-1	DUST NOZZLE SET		1				
C10	265774-2	THUMB SCREW M4X19		1		100		
A03P	195559-1	DUST NOZZLE SET		1				
C10	265774-2	THUMB SCREW M4X19		1		100		
A03Q	343577-5	TEMPLET GUIDE 10		1				
A03R	343577-5	TEMPLET GUIDE 10		1				
A03S	195559-1	DUST NOZZLE SET		1				
C10	265774-2	THUMB SCREW M4X19		1		100		
A03T	195559-1	DUST NOZZLE SET		1				
C10	265774-2	THUMB SCREW M4X19		1		100		
A04A	763619-3	COLLET CONE 3/8"		1				
A04B	763619-3	COLLET CONE 3/8"		1				
A04C	343577-5	TEMPLET GUIDE 10		1				
A04D	343577-5	TEMPLET GUIDE 10		1				
A04E	343577-5	TEMPLET GUIDE 10		1				
A04F	343577-5	TEMPLET GUIDE 10		1				

Model No. RT0700C TRIMMER

Item	Parts No.	Description	I/C	QTY	N/O	Opt. 1	Opt. 2	NOTE
A04G	763619-3	COLLET CONE 3/8"		1				
A04H	763619-3	COLLET CONE 3/8"		1				
A04I	343577-5	TEMPLET GUIDE 10		1				
A04J	343577-5	TEMPLET GUIDE 10		1				
A04O	343577-5	TEMPLET GUIDE 10		1				
A04P	343577-5	TEMPLET GUIDE 10		1				
A04Q	763619-3	COLLET CONE 3/8"		1				
A04R	763619-3	COLLET CONE 3/8"		1				
A04S	343577-5	TEMPLET GUIDE 10		1				
A04T	343577-5	TEMPLET GUIDE 10		1				
A05A	781011-1	WRENCH 22		1				
A05B	781011-1	WRENCH 22		1				
A05C	763619-3	COLLET CONE 3/8"		1				
A05D	763619-3	COLLET CONE 3/8"		1				
A05E	763619-3	COLLET CONE 3/8"		1				
A05F	763619-3	COLLET CONE 3/8"		1				
A05G	781011-1	WRENCH 22		1				
A05H	781011-1	WRENCH 22		1				
A05I	763619-3	COLLET CONE 3/8"		1				
A05J	763619-3	COLLET CONE 3/8"		1				
A05O	763619-3	COLLET CONE 3/8"		1				
A05P	763619-3	COLLET CONE 3/8"		1				
A05Q	781011-1	WRENCH 22		1				
A05R	781011-1	WRENCH 22		1				
A05S	763619-3	COLLET CONE 3/8"		1				
A05T	763619-3	COLLET CONE 3/8"		1				
A06A	781039-9	WRENCH 13		1				
A06B	781039-9	WRENCH 13		1				
A06C	781011-1	WRENCH 22		1				
A06D	781011-1	WRENCH 22		1				
A06E	781011-1	WRENCH 22		1				
A06F	781011-1	WRENCH 22		1				
A06G	781039-9	WRENCH 13		1				
A06H	781039-9	WRENCH 13		1				
A06I	781011-1	WRENCH 22		1				
A06J	781011-1	WRENCH 22		1				
A06O	781011-1	WRENCH 22		1				
A06P	781011-1	WRENCH 22		1				
A06Q	781039-9	WRENCH 13		1				
A06R	781039-9	WRENCH 13		1				
A06S	781011-1	WRENCH 22		1				
A06T	781011-1	WRENCH 22		1				
A07C	781039-9	WRENCH 13		1				
A07D	781039-9	WRENCH 13		1				
A07E	781039-9	WRENCH 13		1				
A07F	781039-9	WRENCH 13		1				
A07G	821552-6	CONNECTOR PLASTIC CASE (TYPE4)		1	*			
C10	453974-8	LATCH		4	*	100		

Model No. RT0700C TRIMMER

Item	Parts No.	Description	I/C	QTY	N/O	Opt. 1	Opt. 2	NOTE
A07H	821552-6	CONNECTOR PLASTIC CASE (TYPE4)		1	*			
C10	453974-8	LATCH		4	*	100		
A07I	781039-9	WRENCH 13		1				
A07J	781039-9	WRENCH 13		1				
A07O	781039-9	WRENCH 13		1				
A07P	781039-9	WRENCH 13		1				
A07S	781039-9	WRENCH 13		1				
A07T	781039-9	WRENCH 13		1				
A07-1G	821552-6	CONNECTOR PLASTIC CASE (TYPE4)	<	1				
C10	453974-8	LATCH		4		100		
A07-1H	821552-6	CONNECTOR PLASTIC CASE (TYPE4)	<	1				
C10	453974-8	LATCH		4		100		
A08C	344364-5	TEMPLET GUIDE 16		1				
A08D	344364-5	TEMPLET GUIDE 16		1				
A08E	344364-5	TEMPLET GUIDE 16		1				
A08F	344364-5	TEMPLET GUIDE 16		1				
A08G	837247-1	TRAY		1				
A08H	837247-1	TRAY		1				
A08I	344364-5	TEMPLET GUIDE 16		1				
A08J	344364-5	TEMPLET GUIDE 16		1				
A08O	344364-5	TEMPLET GUIDE 16		1				
A08P	344364-5	TEMPLET GUIDE 16		1				
A08S	344364-5	TEMPLET GUIDE 16		1				
A08T	344364-5	TEMPLET GUIDE 16		1				
A09C	122703-7	TRIMMER GUIDE ASS'Y		1				
C10	251471-6	- FLAT HEAD SCREW M5		1		100		
C20	265135-6	+ COUNTERSUNK HEAD SCREW M4X		1		100		
C30	265763-7	THUMB SCREW M6X25		1		100		
C40	265764-5	THUMB SCREW M6		1		100		
C50	317788-8	GUIDE HOLDER		1		100		
C60	324378-0	ROLLER 11		1		100		
C70	341136-9	HOOK		1		100		
C80	941151-9	FLAT WASHER 6		1		100		
A09D	122703-7	TRIMMER GUIDE ASS'Y		1				
C10	251471-6	- FLAT HEAD SCREW M5		1		100		
C20	265135-6	+ COUNTERSUNK HEAD SCREW M4X		1		100		
C30	265763-7	THUMB SCREW M6X25		1		100		
C40	265764-5	THUMB SCREW M6		1		100		
C50	317788-8	GUIDE HOLDER		1		100		
C60	324378-0	ROLLER 11		1		100		
C70	341136-9	HOOK		1		100		
C80	941151-9	FLAT WASHER 6		1		100		
A09E	122703-7	TRIMMER GUIDE ASS'Y		1				
C10	251471-6	- FLAT HEAD SCREW M5		1		100		
C20	265135-6	+ COUNTERSUNK HEAD SCREW M4X		1		100		
C30	265763-7	THUMB SCREW M6X25		1		100		
C40	265764-5	THUMB SCREW M6		1		100		
C50	317788-8	GUIDE HOLDER		1		100		

Model No. RT0700C TRIMMER

Item	Parts No.	Description	I/C	QTY	N/O	Opt. 1	Opt. 2	NOTE
C60	324378-0	ROLLER 11		1		100		
C70	341136-9	HOOK		1		100		
C80	941151-9	FLAT WASHER 6		1		100		
A09F	122703-7	TRIMMER GUIDE ASS'Y		1				
C10	251471-6	- FLAT HEAD SCREW M5		1		100		
C20	265135-6	+ COUNTERSUNK HEAD SCREW M4X1		1		100		
C30	265763-7	THUMB SCREW M6X25		1		100		
C40	265764-5	THUMB SCREW M6		1		100		
C50	317788-8	GUIDE HOLDER		1		100		
C60	324378-0	ROLLER 11		1		100		
C70	341136-9	HOOK		1		100		
C80	941151-9	FLAT WASHER 6		1		100		
A09G	801E81-5	RT0700CJ INDICATION LABEL		1				
A09H	801E81-5	RT0700CJ INDICATION LABEL		1				
A09I	122703-7	TRIMMER GUIDE ASS'Y		1				
C10	251471-6	- FLAT HEAD SCREW M5		1		100		
C20	265135-6	+ COUNTERSUNK HEAD SCREW M4X1		1		100		
C30	265763-7	THUMB SCREW M6X25		1		100		
C40	265764-5	THUMB SCREW M6		1		100		
C50	317788-8	GUIDE HOLDER		1		100		
C60	324378-0	ROLLER 11		1		100		
C70	341136-9	HOOK		1		100		
C80	941151-9	FLAT WASHER 6		1		100		
A09J	122703-7	TRIMMER GUIDE ASS'Y		1				
C10	251471-6	- FLAT HEAD SCREW M5		1		100		
C20	265135-6	+ COUNTERSUNK HEAD SCREW M4X1		1		100		
C30	265763-7	THUMB SCREW M6X25		1		100		
C40	265764-5	THUMB SCREW M6		1		100		
C50	317788-8	GUIDE HOLDER		1		100		
C60	324378-0	ROLLER 11		1		100		
C70	341136-9	HOOK		1		100		
C80	941151-9	FLAT WASHER 6		1		100		
A09O	122703-7	TRIMMER GUIDE ASS'Y		1				
C10	251471-6	- FLAT HEAD SCREW M5		1		100		
C20	265135-6	+ COUNTERSUNK HEAD SCREW M4X1		1		100		
C30	265763-7	THUMB SCREW M6X25		1		100		
C40	265764-5	THUMB SCREW M6		1		100		
C50	317788-8	GUIDE HOLDER		1		100		
C60	324378-0	ROLLER 11		1		100		
C70	341136-9	HOOK		1		100		
C80	941151-9	FLAT WASHER 6		1		100		
A09P	122703-7	TRIMMER GUIDE ASS'Y		1				
C10	251471-6	- FLAT HEAD SCREW M5		1		100		
C20	265135-6	+ COUNTERSUNK HEAD SCREW M4X1		1		100		
C30	265763-7	THUMB SCREW M6X25		1		100		
C40	265764-5	THUMB SCREW M6		1		100		
C50	317788-8	GUIDE HOLDER		1		100		
C60	324378-0	ROLLER 11		1		100		

Model No. RT0700C TRIMMER

Item	Parts No.	Description	I/C	QTY	N/O	Opt. 1	Opt. 2	NOTE
C70	341136-9	HOOK		1		100		
C80	941151-9	FLAT WASHER 6		1		100		
A09Q	122703-7	TRIMMER GUIDE ASS'Y		1				
C10	251471-6	- FLAT HEAD SCREW M5		1		100		
C20	265135-6	+ COUNTERSUNK HEAD SCREW M4X1		1		100		
C30	265763-7	THUMB SCREW M6X25		1		100		
C40	265764-5	THUMB SCREW M6		1		100		
C50	317788-8	GUIDE HOLDER		1		100		
C60	324378-0	ROLLER 11		1		100		
C70	341136-9	HOOK		1		100		
C80	941151-9	FLAT WASHER 6		1		100		
A09R	122703-7	TRIMMER GUIDE ASS'Y		1				
C10	251471-6	- FLAT HEAD SCREW M5		1		100		
C20	265135-6	+ COUNTERSUNK HEAD SCREW M4X1		1		100		
C30	265763-7	THUMB SCREW M6X25		1		100		
C40	265764-5	THUMB SCREW M6		1		100		
C50	317788-8	GUIDE HOLDER		1		100		
C60	324378-0	ROLLER 11		1		100		
C70	341136-9	HOOK		1		100		
C80	941151-9	FLAT WASHER 6		1		100		
A09S	122703-7	TRIMMER GUIDE ASS'Y		1				
C10	251471-6	- FLAT HEAD SCREW M5		1		100		
C20	265135-6	+ COUNTERSUNK HEAD SCREW M4X1		1		100		
C30	265763-7	THUMB SCREW M6X25		1		100		
C40	265764-5	THUMB SCREW M6		1		100		
C50	317788-8	GUIDE HOLDER		1		100		
C60	324378-0	ROLLER 11		1		100		
C70	341136-9	HOOK		1		100		
C80	941151-9	FLAT WASHER 6		1		100		
A09T	122703-7	TRIMMER GUIDE ASS'Y		1				
C10	251471-6	- FLAT HEAD SCREW M5		1		100		
C20	265135-6	+ COUNTERSUNK HEAD SCREW M4X1		1		100		
C30	265763-7	THUMB SCREW M6X25		1		100		
C40	265764-5	THUMB SCREW M6		1		100		
C50	317788-8	GUIDE HOLDER		1		100		
C60	324378-0	ROLLER 11		1		100		
C70	341136-9	HOOK		1		100		
C80	941151-9	FLAT WASHER 6		1		100		
A10C	195563-0	PLUNGE BASE SET		1				
D10		COMPO-PARTS						
A10D	195563-0	PLUNGE BASE SET		1				
D10		COMPO-PARTS						
A10E	195563-0	PLUNGE BASE SET		1				
D10		COMPO-PARTS						
A10F	195563-0	PLUNGE BASE SET		1				
D10		COMPO-PARTS						
A10G	801E82-3	RT0700CJ PLASTIC CASE LABEL		2				
A10H	801E82-3	RT0700CJ PLASTIC CASE LABEL		2				

Model No. RT0700C TRIMMER

Item	Parts No.	Description	I/C	QTY	N/O	Opt. 1	Opt. 2	NOTE
A10I	195563-0	PLUNGE BASE SET		1				
D10		COMPO-PARTS						
A10J	195563-0	PLUNGE BASE SET		1				
D10		COMPO-PARTS						
A10O	195563-0	PLUNGE BASE SET		1				
D10		COMPO-PARTS						
A10P	195563-0	PLUNGE BASE SET		1				
D10		COMPO-PARTS						
A10S	195563-0	PLUNGE BASE SET		1				
D10		COMPO-PARTS						
A10T	195563-0	PLUNGE BASE SET		1				
D10		COMPO-PARTS						
A11C	195561-4	TILT BASE SET		1	*			
D10		COMPO-PARTS			*			
A11D	195561-4	TILT BASE SET		1	*			
D10		COMPO-PARTS			*			
A11E	195561-4	TILT BASE SET		1	*			
D10		COMPO-PARTS			*			
A11F	195561-4	TILT BASE SET		1	*			
D10		COMPO-PARTS			*			
A11I	195561-4	TILT BASE SET		1	*			
D10		COMPO-PARTS			*			
A11J	195561-4	TILT BASE SET		1	*			
D10		COMPO-PARTS			*			
A11O	195561-4	TILT BASE SET		1	*			
D10		COMPO-PARTS			*			
A11P	195561-4	TILT BASE SET		1	*			
D10		COMPO-PARTS			*			
A11S	195561-4	TILT BASE SET		1	*			
D10		COMPO-PARTS			*			
A11T	195561-4	TILT BASE SET		1	*			
D10		COMPO-PARTS			*			
A11-1C	198985-3	TILT BASE SET	O	1				
A11-1D	198985-3	TILT BASE SET	O	1				
A11-1E	198985-3	TILT BASE SET	O	1				
A11-1F	198985-3	TILT BASE SET	O	1				
A11-1I	198985-3	TILT BASE SET	O	1				
A11-1J	198985-3	TILT BASE SET	O	1				
A11-1O	198985-3	TILT BASE SET	O	1				
A11-1P	198985-3	TILT BASE SET	O	1				
A11-1S	198985-3	TILT BASE SET	O	1				
A11-1T	198985-3	TILT BASE SET	O	1				
A12C	153489-2	GRIP 36 COMPLETE		1				
A12D	153489-2	GRIP 36 COMPLETE		1				
A12E	153489-2	GRIP 36 COMPLETE		1				
A12F	153489-2	GRIP 36 COMPLETE		1				
A12I	153489-2	GRIP 36 COMPLETE		1				
A12J	153489-2	GRIP 36 COMPLETE		1				

Model No. RT0700C TRIMMER

Item	Parts No.	Description	I/C	QTY	N/O	Opt. 1	Opt. 2	NOTE
A12O	153489-2	GRIP 36 COMPLETE		1				
A12P	153489-2	GRIP 36 COMPLETE		1				
A12S	153489-2	GRIP 36 COMPLETE		1				
A12T	153489-2	GRIP 36 COMPLETE		1				
A13C	195564-8	GUIDE HOLDER SET		1				
C10	252649-4	THUMB NUT M6		1	100			
C20	256850-3	ROD 8		2	100			
C30	266339-3	CAP SQUARE NECK BOLT M6X20		1	100			
A13D	195564-8	GUIDE HOLDER SET		1				
C10	252649-4	THUMB NUT M6		1	100			
C20	256850-3	ROD 8		2	100			
C30	266339-3	CAP SQUARE NECK BOLT M6X20		1	100			
A13E	195564-8	GUIDE HOLDER SET		1				
C10	252649-4	THUMB NUT M6		1	100			
C20	256850-3	ROD 8		2	100			
C30	266339-3	CAP SQUARE NECK BOLT M6X20		1	100			
A13F	195564-8	GUIDE HOLDER SET		1				
C10	252649-4	THUMB NUT M6		1	100			
C20	256850-3	ROD 8		2	100			
C30	266339-3	CAP SQUARE NECK BOLT M6X20		1	100			
A13I	195564-8	GUIDE HOLDER SET		1				
C10	252649-4	THUMB NUT M6		1	100			
C20	256850-3	ROD 8		2	100			
C30	266339-3	CAP SQUARE NECK BOLT M6X20		1	100			
A13J	195564-8	GUIDE HOLDER SET		1				
C10	252649-4	THUMB NUT M6		1	100			
C20	256850-3	ROD 8		2	100			
C30	266339-3	CAP SQUARE NECK BOLT M6X20		1	100			
A13O	195564-8	GUIDE HOLDER SET		1				
C10	252649-4	THUMB NUT M6		1	100			
C20	256850-3	ROD 8		2	100			
C30	266339-3	CAP SQUARE NECK BOLT M6X20		1	100			
A13P	195564-8	GUIDE HOLDER SET		1				
C10	252649-4	THUMB NUT M6		1	100			
C20	256850-3	ROD 8		2	100			
C30	266339-3	CAP SQUARE NECK BOLT M6X20		1	100			
A13S	195564-8	GUIDE HOLDER SET		1				
C10	252649-4	THUMB NUT M6		1	100			
C20	256850-3	ROD 8		2	100			
C30	266339-3	CAP SQUARE NECK BOLT M6X20		1	100			
A13T	195564-8	GUIDE HOLDER SET		1				
C10	252649-4	THUMB NUT M6		1	100			
C20	256850-3	ROD 8		2	100			
C30	266339-3	CAP SQUARE NECK BOLT M6X20		1	100			
A14C	831327-5	TOOL BAG		1				
A14D	831327-5	TOOL BAG		1				
A14E	831327-5	TOOL BAG		1				
A14F	831327-5	TOOL BAG		1				

Item	Parts No.	Description	I/C	QTY	N/O	Opt. 1	Opt. 2	NOTE
A14I	821552-6	CONNECTOR PLASTIC CASE (TYPE4)		1	*			
C10	453974-8	LATCH		4	*	100		
A14J	821552-6	CONNECTOR PLASTIC CASE (TYPE4)		1	*			
C10	453974-8	LATCH		4	*	100		
A14O	821552-6	CONNECTOR PLASTIC CASE (TYPE4)		1	*			
C10	453974-8	LATCH		4	*	100		
A14P	821552-6	CONNECTOR PLASTIC CASE (TYPE4)		1	*			
C10	453974-8	LATCH		4	*	100		
A14S	821552-6	CONNECTOR PLASTIC CASE (TYPE4)		1	*			
C10	453974-8	LATCH		4	*	100		
A14T	821552-6	CONNECTOR PLASTIC CASE (TYPE4)		1	*			
C10	453974-8	LATCH		4	*	100		
A14-1I	821552-6	CONNECTOR PLASTIC CASE (TYPE4)	<	1				
C10	453974-8	LATCH		4		100		
A14-1J	821552-6	CONNECTOR PLASTIC CASE (TYPE4)	<	1				
C10	453974-8	LATCH		4		100		
A14-1O	821552-6	CONNECTOR PLASTIC CASE (TYPE4)	<	1				
C10	453974-8	LATCH		4		100		
A14-1P	821552-6	CONNECTOR PLASTIC CASE (TYPE4)	<	1				
C10	453974-8	LATCH		4		100		
A14-1S	821552-6	CONNECTOR PLASTIC CASE (TYPE4)	<	1				
C10	453974-8	LATCH		4		100		
A14-1T	821552-6	CONNECTOR PLASTIC CASE (TYPE4)	<	1				
C10	453974-8	LATCH		4		100		
A15E	195562-2	OFFSET BASE SET		1				
C10	222171-5	PULLEY 12-23.1		1				
C20	318685-1	GRIP ATTACHMENT		1				
C30	912112-6	COUNTERSUNK HEAD SCREW M4X10		2		100		
D10		COMPO-PARTS						
A15F	195562-2	OFFSET BASE SET		1				
C10	222171-5	PULLEY 12-23.1		1				
C20	318685-1	GRIP ATTACHMENT		1				
C30	912112-6	COUNTERSUNK HEAD SCREW M4X10		2		100		
D10		COMPO-PARTS						
A15I	837247-1	TRAY		1				
A15J	837247-1	TRAY		1				
A15O	195562-2	OFFSET BASE SET		1				
C10	222171-5	PULLEY 12-23.1		1				
C20	318685-1	GRIP ATTACHMENT		1				
C30	912112-6	COUNTERSUNK HEAD SCREW M4X10		2		100		
D10		COMPO-PARTS						
A15P	195562-2	OFFSET BASE SET		1				
C10	222171-5	PULLEY 12-23.1		1				
C20	318685-1	GRIP ATTACHMENT		1				
C30	912112-6	COUNTERSUNK HEAD SCREW M4X10		2		100		
D10		COMPO-PARTS						
A15S	D-30209	ROUTER BIT 3PCS/SET MM		1	*			
A15T	D-30209	ROUTER BIT 3PCS/SET MM		1	*			

