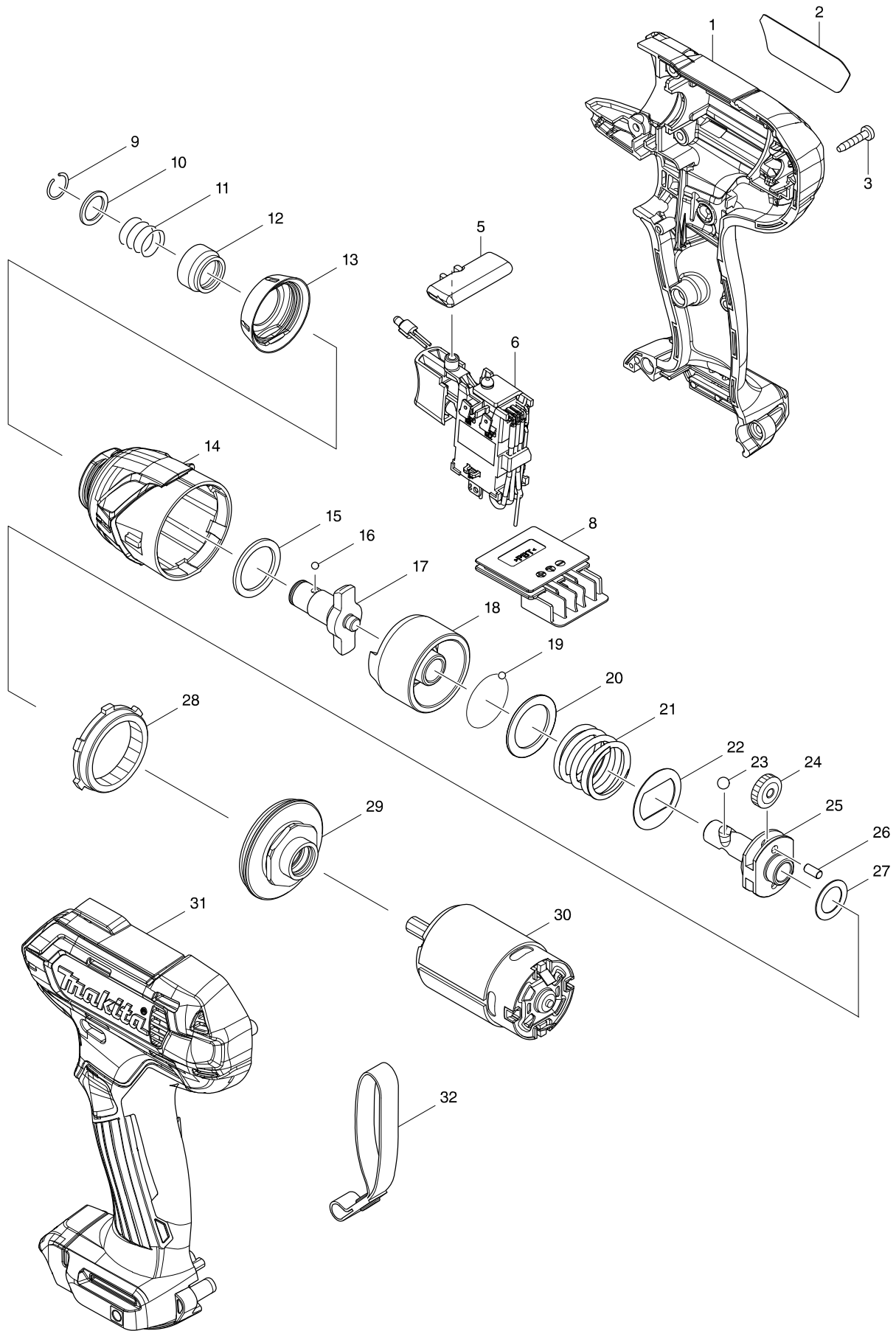


# Model No. TD110D CORDLESS IMPACT DRIVER



# Model No. TD110D CORDLESS IMPACT DRIVER

Item	Parts No.	Description	I/C	QTY	N/O	Opt. 1	Opt. 2	NOTE
001	183B49-8	HOUSING SET		1				
C10	252126-6	HEX. LOCKING NUT M4-7		2		100		
D10		INC. 31						
002	851G86-7	TD110D NAME PLATE		1				
003	266429-2	TAPPING SCREW 3X16		8		100		
005	456039-5	F/R CHANGE LEVER		1				
006	632F42-8	SWITCH UNIT		1	*			
C10	620463-0	LED CIRCUIT		1	*			
C20	632F64-8	LINE FILTER UNIT		1	*			
006-1	632J76-5	SWITCH UNIT	<	1				
C10	620625-0	LED CIRCUIT		1				
C20	632F64-8	LINE FILTER UNIT		1	*			
C21	688161-2	LINE FILTER	<	1		100		
008	644813-5	TERMINAL		1				
009	231965-7	RING SPRING 10		1		100		
010	267143-3	FLAT WASHER 11		1		100		
011	233005-7	COMPRESSION SPRING 13		1		100		
012	324711-6	BIT SLEEVE		1		100		
013	424737-9	BUMPER		1				
014	143277-5	HAMMER CASE COMPLETE		1				
015	261140-1	NYLON WASHER 20		1		100		
016	216019-1	STEEL BALL 3		2		100		
017	324895-0	ANVIL M		1		100		
018	324894-2	HAMMER		1				
019	216019-1	STEEL BALL 3		24		100		
020	267380-9	FLAT WASHER 20		1		100		
021	234064-4	COMPRESSION SPRING 21		1		100		
022	267813-4	WASHER 21		1		100		
023	216002-8	STEEL BALL 4.8		2		100		
024	227213-0	SPUR GEAR 17		2		100		
025	324897-6	SPINDLE		1		100		
026	268217-3	PIN 3.5		2		100		
027	253052-2	FLAT WASHER 12		1		100		
028	227215-6	INTERNAL GEAR 43		1		100		
029	158671-8	BEARING BOX COMPLETE		1		100		
030	629163-9	DC MOTOR		1				
031	183B49-8	HOUSING SET		1				
C10	252126-6	HEX. LOCKING NUT M4-7		2		100		
D10		INC. 1						
033	688164-6	LINE FILTER		1	*	100		
033-1	632F64-8	LINE FILTER UNIT	<	1				
C10	688164-6	LINE FILTER		1		100		
A01	266622-8	+ TRUSS HEAD SCREW M4X12		1		100		
A02	346909-5	HOOK		1				
A03	784244-7	+ BIT 2-50		1				
A04B	456128-6	BATTERY COVER		1				
A05B	***DC10WC	DC10WC BATTERY CHARGER		1				
D10		COMPO-PARTS						

**Model No. TD110D CORDLESS IMPACT DRIVER**

Item	Parts No.	Description	I/C	QTY	N/O	Opt. 1	Opt. 2	NOTE
A06B	197394-3	BATTERY BL1020B SET		2				
A07B	821661-1	PLASTIC CARRYING CASE		1				
C10	417724-5	LATCH		2				