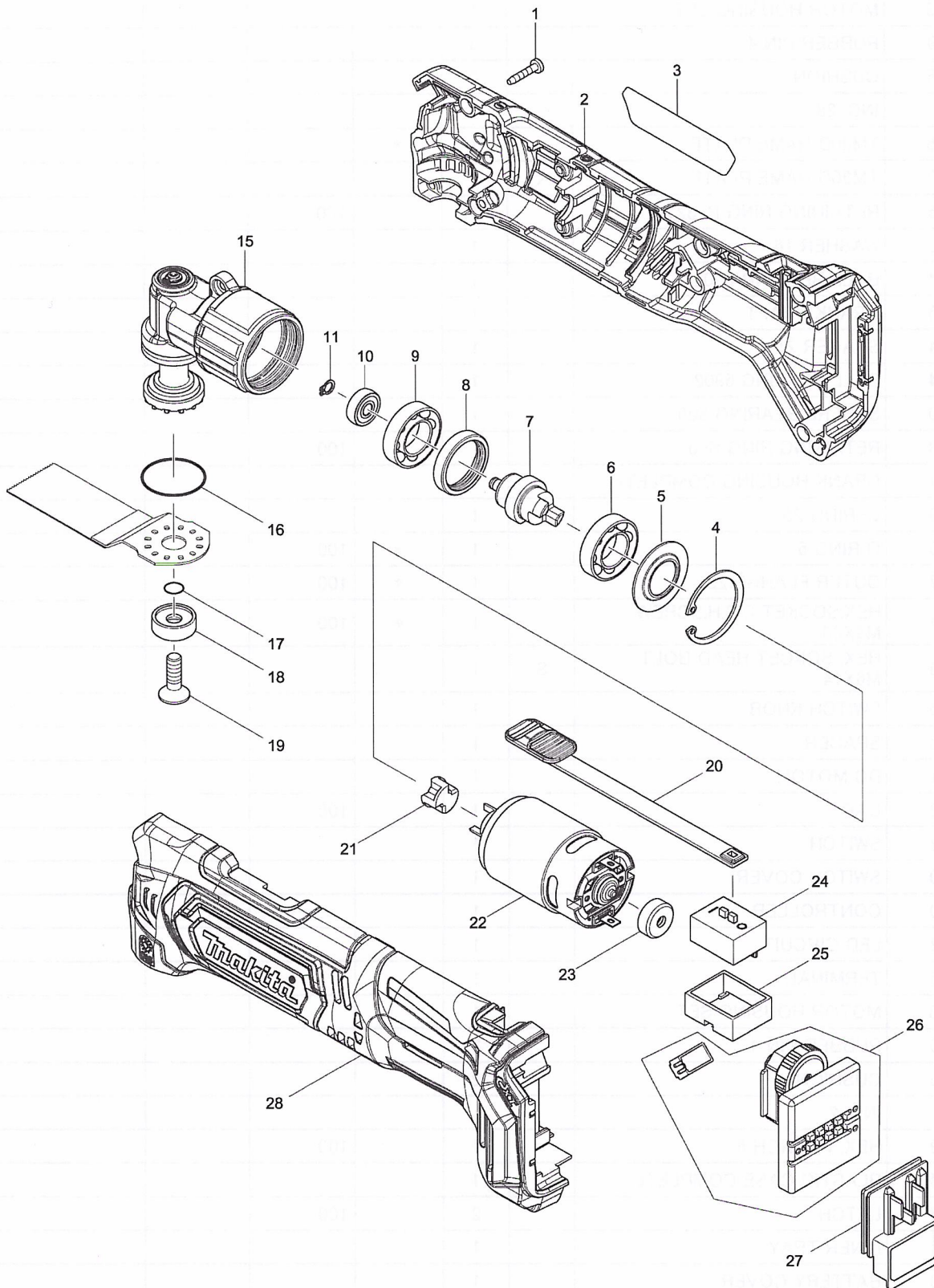


Model No. TM30D CORDLESS MULTI TOOL



Model No.TM30D CORDLESS MULTI TOOL

Item	Parts No.	Description	I/C	QTY	New/Old	Opt. 1	Opt. 2	NOTE
001	266429-2	TAPPING SCREW 3X16		12		100		
002	183E32-3	MOTOR HOUSING SET		1				
C10	263039-6	RUBBER PIN 4		3				
C20	424859-5	CUSHION		2				
D10		INC. 28						
003	852E52-5	TM30D NAME PLATE		1	*			
003-1	852E51-7	TM30D NAME PLATE	<	1				
004	962151-6	RETAINING RING R-32		1		100		
005	253368-5	WASHER 16		1				
006	210147-4	BALL BEARING 6902		1				
007	326719-6	CRANK SHAFT		1				
008	456788-4	SPACER 21		1				
009	210147-4	BALL BEARING 6902		1				
010	210144-0	SPHERE BEARING 505		1				
011	961008-8	RETAINING RING S-5		1		100		
015	144085-7	CRANK HOUSING COMPLETE		1				
016	213987-9	O-RING 25		1				
017	213021-5	O RING 5		1	*	100		
018	224455-7	OUTER FLANGE 22		1	*	100		
019	266783-4	HEX.SOCKET C.S.H.SCREW M6X20		1	*	100		
019-1	265674-6	HEX. SOKCET HEAD BOLT M6X14	S	1				
020	456791-5	SWITCH KNOB		1				
021	424833-3	SPACER		1				
022	629221-1	DC MOTOR		1				
023	424467-2	CAP		1		100		
024	651610-2	SWITCH		1				
025	424860-0	SWITCH COVER		1				
026	620522-0	CONTROLLER		1				
C10	620543-2	LED CIRCUIT		1				
027	644813-5	TERMINAL		1				
028	183E32-3	MOTOR HOUSING SET		1				
C10	263039-6	RUBBER PIN 4		3				
C20	424859-5	CUSHION		2				
D10		INC. 2						
A01	783233-9	HEX. WRENCH 5		1		100		
A02B	143644-4	PLASTIC CASE COMPLETE		1				
C10	162302-3	LATCH		2		100		
C20	838502-4	INNER TRAY		1				
A03B	456128-6	BATTERY COVER		1				
A04B	***DC10WC	DC10WC BATTERY CHARGER		1	*			
D10		COMPO-PARTS			*			
A04-1B	***DC10WD	DC10WD BATTERY CHARGER	<	1				
D10		COMPO-PARTS						
A05B	197394-3	BATTERY BL1020B SET		2	*			

Model No. TM30D CORDLESS MULTI TOOL

Item	Parts No.	Description	I/C	QTY	New/Old	Opt. 1	Opt. 2	NOTE
A05-1B	197396-9	BATTERY BL1021B SET	<	2	*			
A05-2B	197396-9	BATTERY BL1021B SET	O	2				

Please order the parts with part number.

Print Date 22/10/2019