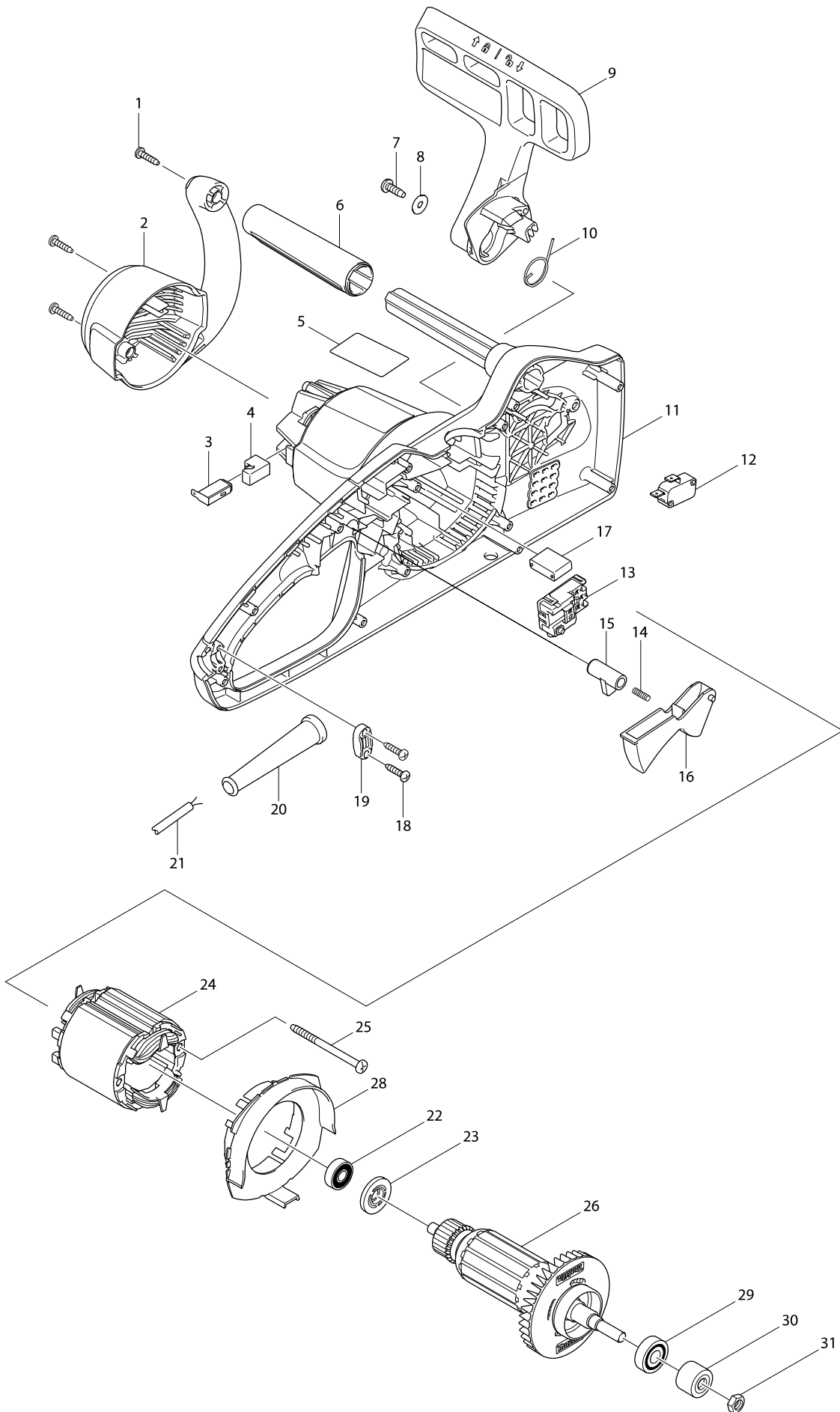
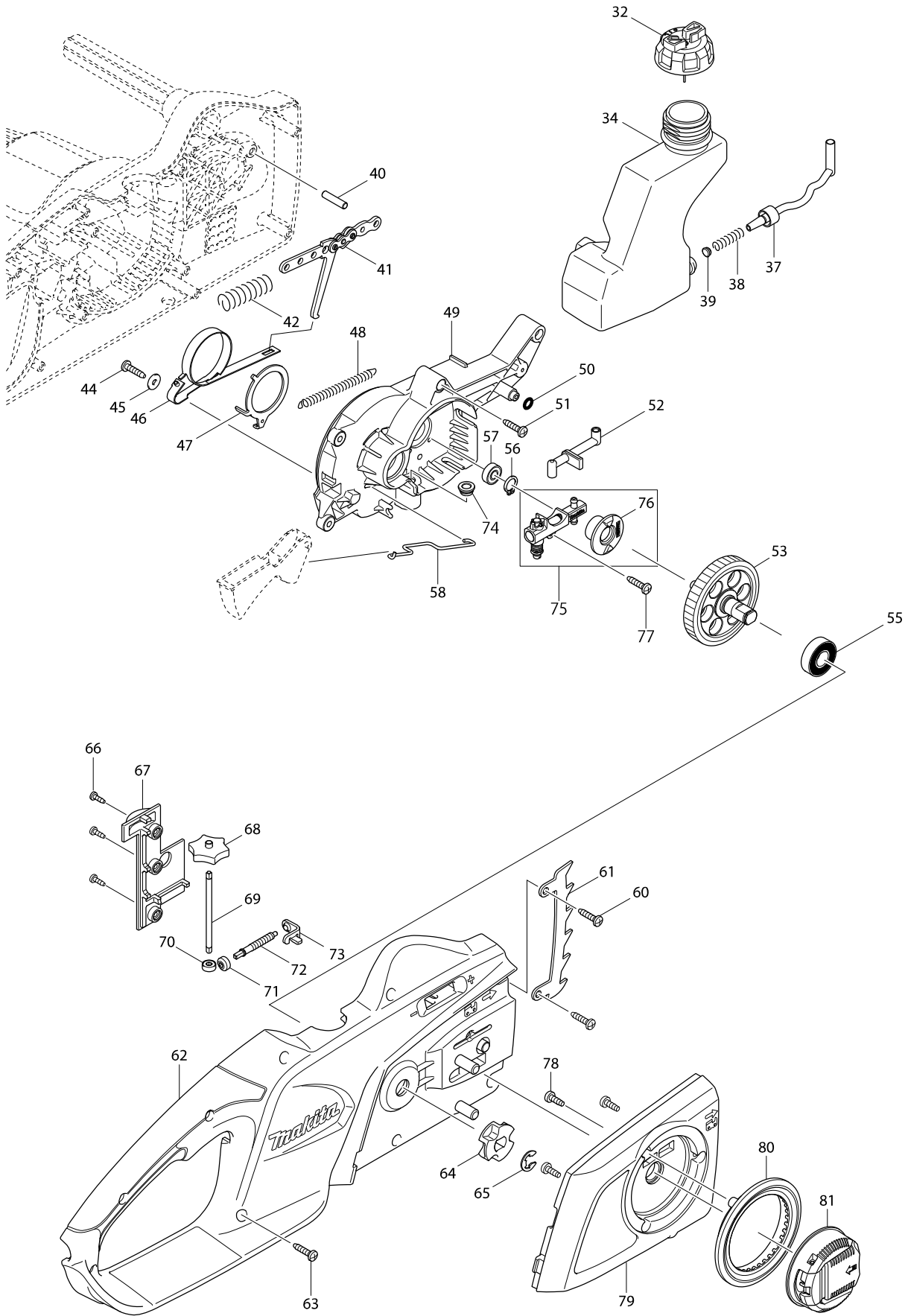


# Model No. UC3541A 350MM ELECTRIC CHAIN SAW



# Model No. UC3541A 350MM ELECTRIC CHAIN SAW



# Model No. UC3541A 350MM ELECTRIC CHAIN SAW

Item	Parts No.	Description	I/C	QTY	N/O	Opt. 1	Opt. 2	NOTE
001	266326-2	TAPPING SCREW 4X18		3		100		
002	454725-2	REAR COVER		1				
003	191972-1	CARBON BRUSH CB-132		1		100		
004	682211-5	RUBBER SLEEVE		2		100		
005	815A83-1	UC3541A NAME PLATE		1				
006	424600-6	FRONT GRIP		1				
007	266388-0	TAPPING SCREW 5X16		1		100		
008	253807-5	FLAT WASHER 5		1		100		
009	142279-8	FRONT HAND GUARD COMPLETE		1				
C10	802K54-7	INDICATION LABEL		1				
010	231640-5	TORSION SPRING 20		1		100		
011	187869-0	HOUSING SET		1				
C10	802G51-9	CAUTION LABEL		1				
D10		INC. 62						
012	650577-1	SWITCH SD-006-BB2AA-AA		1		100		
013	650716-3	SWITCH TGC31B		1				
014	233173-6	COMPRESSION SPRING 4		1		154		
015	416178-3	LOCK-OFF BUTTON		1		100		
016	455185-1	SWITCH LEVER		1				
017	645149-5	NOISE SUPPRESSOR		1		100		
018	266326-2	TAPPING SCREW 4X18		2		100		
019	687124-5	STRAIN RELIEF		1		100		
020	682540-6	CORD GUARD 9.3-90		1		100		
021	692548-2	POWER SUPPLY CORD 1.0-2-10		1		100		
022	210029-0	BALL BEARING 608ZZ		1		100		
023	681644-1	INSULATION WASHER		1		100		
024	594538-0	FIELD ASS'Y 220-240V		1	*	152		
C10	654069-2	RECEPTACLE		2	*	100		
C20	654208-4	RECEPTACLE		1	*	100		
024-1	593869-4	FIELD ASS'Y 220-240V	O	1				
C10	654069-2	RECEPTACLE		2		100		
C20	654208-4	RECEPTACLE		1		100		
025	266389-8	TAPPING SCREW 5X70		2		100		
026	513893-1	ARMATURE ASS'Y 220-240V		1				
D10		INC. 22,23,29						
028	419238-0	BAFFLE PLATE		1		100		
029	211061-7	BALL BEARING 6000LLB		1		100		
030	227153-2	SPUR GEAR 12		1		100		
031	931403-6	HEX. NUT M8		1		100		
032	142282-9	TANK CAP COMPLETE		1				
034	454729-4	OIL TANK		1				
037	424602-2	OIL TUBE		1				
038	231975-4	SPRING		1		154		
039	416274-7	CAP		1		100		
040	268238-5	PIN 5		1		100		
041	158047-9	LINK PLATE COMPLETE		1		100		
042	233175-2	COMPRESSION SPRING 9		1		154		
044	266326-2	TAPPING SCREW 4X18		1		100		

# Model No. UC3541A 350MM ELECTRIC CHAIN SAW

Item	Parts No.	Description	I/C	QTY	N/O	Opt. 1	Opt. 2	NOTE
045	267195-4	FLAT WASHER 4		1		100		
046	168321-7	BRAKE BAND		1		100		
047	346739-4	BRAKE RING		1				
048	231817-2	TENSION SPRING 5		1		100		
049	454720-2	BEARING HOUSING		1				
050	213017-6	O RING 6		1		100		
051	266326-2	TAPPING SCREW 4X18		4		100		
052	424601-4	CONNECTOR		1				
053	135615-5	SPUR GEAR 43 ASS'Y		1				
055	210106-8	BALL BEARING 6001LLB		1		100		
056	961006-2	RETAINING RING S-10		1		100		
057	210033-9	BALL BEARING 696ZZ		1		100		
058	326359-0	ROD		1				
060	266326-2	TAPPING SCREW 4X18		2		100		
061	345651-5	SPIKE BUMPER		1		100		
062	187869-0	HOUSING SET		1				
C10	802G51-9	CAUTION LABEL		1				
D10		INC. 11						
063	266326-2	TAPPING SCREW 4X18		7		100		
064	221526-1	SPROCKET		1		100		
065	259036-8	STOP RING E-8		1		100		
066	266007-8	TAPPING SCREW BIND PT 3X10		3		100		
067	454727-8	TENSION COVER		1				
068	454726-0	DIAL 30		1				
069	326360-5	SHAFT		1				
070	227496-2	STRAIGHT BEVEL GEAR 14		1		100		
071	227496-2	STRAIGHT BEVEL GEAR 14		1		100		
072	324620-9	ADJUST SCREW		1		100		
073	346740-9	TENSION SLIDE		1	*			
073-1	346859-4	TENSION SLIDE	<	1				
074	424603-0	GROMMET		1				
075	196419-0	OIL PUMP SET		1	*			
D10		INC. 76			*			
075-1	142156-4	OIL PUMP COMPLETE	<	1				
076	221427-3	WORM GEAR		1				
077	266326-2	TAPPING SCREW 4X18		1		100		
078	266427-6	TAPPING SCREW 4X12		3		100		
079	142281-1	SPROCKET COVER COMPLETE		1				
C10	802E36-3	INDICATION LABEL		1				
080	454728-6	COVER		1				
081	142235-8	NUT COMPLETE		1				
082	804G74-3	SOUND 104DB LABEL		1				
A01	158024-1	HOOK COMPLETE		1		100		
A02	165201-8	GUIDE BAR 14"		1				
A03	419288-5	CHAIN COVER		1		100		
A04	196212-2	SAW CHAIN SET		1				