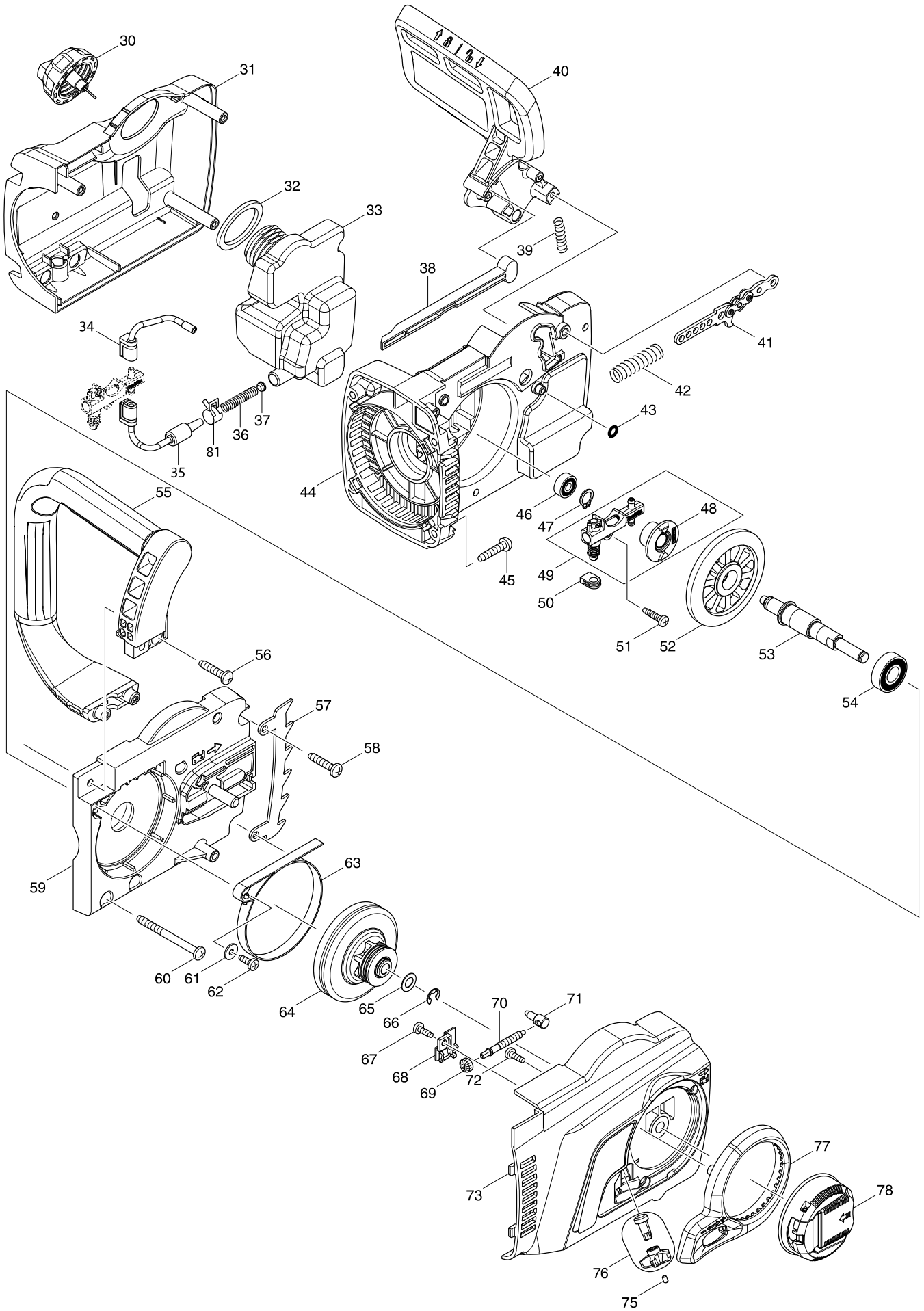




# Model No. UC4051A ELECTRIC CHAIN SAW 400MM



# Model No. UC4051A ELECTRIC CHAIN SAW 400MM

Item	Parts No.	Description	I/C	QTY	N/O	Opt. 1	Opt. 2	NOTE
001	931403-6	HEX. NUT M8		1	100			
002	227626-5	SPIRAL BEVEL GEAR 12		1				
003	211111-8	BALL BEARING 6301LLB		1	100			
004	240003-4	FAN 80		1	100			
D10		INC. 3,4,6,7						
005A	517901-0	ARMATURE ASS'Y 115V		1				
005B	517904-4	ARMATURE ASS'Y 240V		1				
006	681666-1	INSULATION WASHER		1	100			
007	210084-2	BALL BEARING 629ZZ		1				
008	266095-5	TAPPING SCREW 5X55		2	100			
009	419410-4	BAFFLE PLATE		1	100			
010A	636391-9	FIELD 115V		1				
010B	636394-3	FIELD 240V		1				
011	650577-1	SWITCH SD-006-BB2AA-AA		1	100			
012	142348-5	MOTOR HOUSING COMPLETE		1				
C10	643653-8	BRUSH HOLDER 6.5-13.5		2	100			
013	815G07-3	UC4051A NAME PLATE		1				
014	233173-6	COMPRESSION SPRING 4		1	154			
015	416178-3	LOCK-OFF BUTTON		1	100			
016	650717-1	SWITCH TGC30B		1				
017	265995-6	TAPPING SCREW 4X18		1	100			
018	187901-0	HANDLE SET		1				
C10	802G51-9	CAUTION LABEL		1				
D10		INC. 28						
019A	695245-9	POWER SUPPLY CORD 1.5-2-10.0		1	100			
019B	692548-2	POWER SUPPLY CORD 1.0-2-10		1	100			
020A	682574-9	CORD GUARD 10-90		1	100			
020B	682540-6	CORD GUARD 9.3-90		1	100			
021A	687140-7	STRAIN RELIEF		1	100			
021B	687124-5	STRAIN RELIEF		1	100			
022	265995-6	TAPPING SCREW 4X18		2	100			
023A	645089-7	NOISE SUPPRESSOR		1	100			
023B	645105-5	NOISE SUPPRESSOR		1	100			
024A	631720-1	CONTROLLER		1	100			
024B	631719-6	CONTROLLER		1	100			
025	419411-2	SWITCH LEVER		1	100			
026	181044-0	CARBON BRUSH CB-153		1	100			
027	643650-4	BRUSH HOLDER CAP 6.5-13.5		2	*	100		
027-1	643650-4	BRUSH HOLDER CAP 6.5-13.5	O	2	100			
028	187901-0	HANDLE SET		1				
C10	802G51-9	CAUTION LABEL		1				
D10		INC. 18						
029	265995-6	TAPPING SCREW 4X18		6	100			
030	142282-9	TANK CAP COMPLETE		1				
031	454822-4	GEAR HOUSING COVER		1				
032	421959-2	SPONGE SEAL		1	100			
033	454826-6	OIL TANK		1				
034	424611-1	CONNECTOR B		1				

# Model No. UC4051A ELECTRIC CHAIN SAW 400MM

Item	Parts No.	Description	I/C	QTY	N/O	Opt. 1	Opt. 2	NOTE
035	424610-3	CONNECTOR A		1				
036	231975-4	SPRING		1		154		
037	416274-7	CAP		1		100		
038	454825-8	ROD		1				
039	233174-4	COMPRESSION SPRING 6		1		100		
040	142341-9	FRONT HAND GUARD COMPLETE		1				
C10	802K54-7	INDICATION LABEL		1				
041	158044-5	LINK PLATE COMPLETE		1		100		
042	234005-0	COMPRESSION SPRING 9		1		100		
043	213017-6	O RING 6		1		100		
044	454821-6	GEAR HOUSING		1				
045	266041-8	TAPPING SCREW 5X25		4		100		
046	210028-2	BALL BEARING 606ZZ		1		100		
047	961006-2	RETAINING RING S-10		1		100		
048	221427-3	WORM GEAR		1				
049	196419-0	OIL PUMP SET		1	*			
D10		INC. 48			*			
049-1	142156-4	OIL PUMP COMPLETE	<	1				
050	424612-9	GROMMET		1				
051	265995-6	TAPPING SCREW 4X18		1		100		
052	227627-3	SPIRAL BEVEL GEAR 37		1				
053	326373-6	SPINDLE		1				
054	210107-6	BALL BEARING 6001ZZ		1				
055	454823-2	FRONT HANDLE		1				
056	266041-8	TAPPING SCREW 5X25		2		100		
057	345651-5	SPIKE BUMPER		1		100		
058	266041-8	TAPPING SCREW 5X25		2		100		
059	319091-3	BEARING HOUSING		1				
060	266044-2	TAPPING SCREW 5X60		2		100		
061	267195-4	FLAT WASHER 4		1		100		
062	266026-4	TAPPING SCREW BIND CT 4X12		1		100		
063	168426-3	BRAKE BAND		1		100		
064	125331-7	BRAKE DRUM ASSEMBLY		1	*	100		
064-1	123886-6	BRAKE DRUM ASSEMBLY	O	1				
065	253215-0	FLAT WASHER 8		1		100		
066	259033-4	RETAINING RING E TYPE 6		1		100		
067	266427-6	TAPPING SCREW 4X12		1		100		
068	454818-5	COVER		1				
069	227496-2	STRAIGHT BEVEL GEAR 14		1		100		
070	326372-8	ADJUST SCREW		1				
071	326310-0	ADJUST PIN		1				
072	266427-6	TAPPING SCREW 4X12		3		100		
073	142342-7	SPROCKET COVER COMPLETE		1	*			
073-1	183B54-5	SPROCKET COVER SET	<	1				
C10	142342-7	SPROCKET COVER COMPLETE		1				
D10		INC. 67-73,75-78						
075	263002-9	RUBBER PIN 4		1		100		
076	142665-3	DRIVE GEAR COMPLETE		1				

