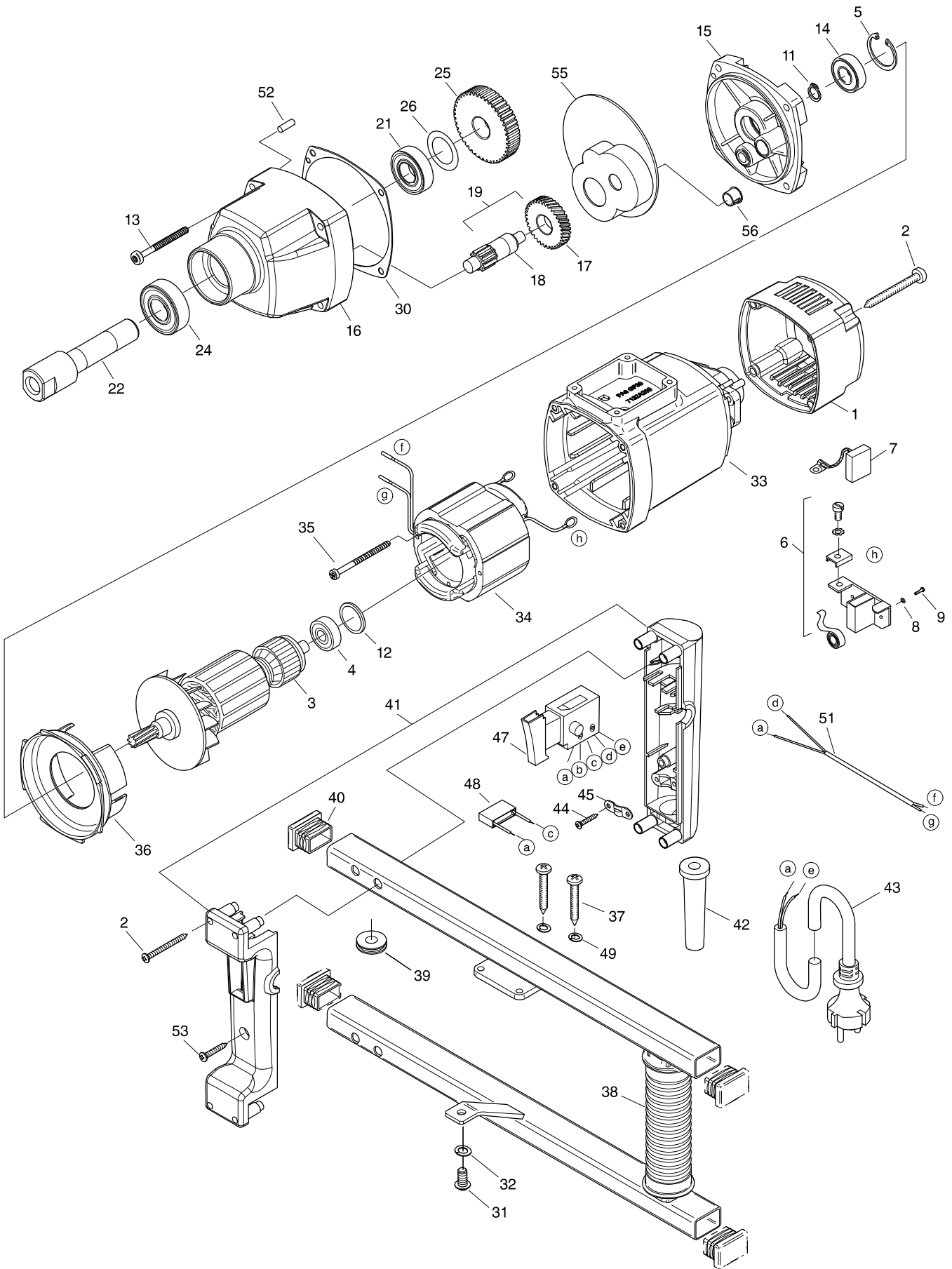


Model No. UT1400 POWER MIXER



Model No. UT1400 POWER MIXER

Item	Parts No.	Description	I/C	QTY	N/O	Opt. 1	Opt. 2	NOTE
001	EE80900093	CAP		1				
002	EE80201267	SELF TAPPING SCREW		8				
003	EE7731C100	ROTOR COMPLETE		1				
004	EE80410011	GROOVED BALL BEARING		1				
005	EE80201333	LOCKING RING		1				
006	EE80201196	BRUSH HOLDER		2				
007	EE80700013	PAIR OF BRUSHES		2	*			
007-1	EE7132A22S	PAIR OF BRUSHES	<	1				
008	EE80201385	LOCK WASHER		4				
009	EE80201180	SELF TAPPING SCREW		4				
011	EE80201305	LOCKING RING		1				
012	EE83000036	O RING		1				
013	EE80201449	PT-SCREW		4				
014	EE80410031	GROOVED BALL BEARING		1				
015	EE77318610	END SHIELD OF GEARING		1				
016	EE77M21400	GEARBOX HOUSING / CASING		1				
017	EE74010470	INTERMEDIATE WHEEL		1				
018	EE7731C490	PINION SHAFT		1				
019	EE7731C49U	PINION SHAFT COMPLETE0		1				
021	EE80410043	GROOVED BALL BEARING		1				
022	EE7731C420	WORK SPINDLE		1				
024	EE80410130	GROOVED BALL BEARING		1				
025	EE7731C430	SPINDLE WHEEL		1				
026	EE80200507	FITTING WASHER		1				
030	EE82000507	GEARBOX SEAL		1				
031	EE80201209	LENS HEAD SCREW		1				
032	EE80201303	LOCK WASHER		1				
033	EE80900403	MOTOR HOUSING		1				
034	EE7731C150	STATOR COMPLETE		1				
035	EE80201266	SELF TAPPING SCREW		2				
036	EE80900286	AIR GUIDING RING		1				
037	EE80201277	PLASTIC SCREW		4				
038	EE77M21590	BOW HANDLE		1				
039	EE83000051	CABLE GROMMET		2				
040	EE80900000	COVER CAP		4				
041	EE80900098	PAIR OF HANDLE HALVES		1				
042	EE83000004	CABLE GROMMET		1				
043	EE80600233	CONNECTING CABLE		1				
044	EE80201270	SELF TAPPING SCREW		2				
045	EE85000020	WIRE LOCKING FLANGE		1				
047	EE80600510	SWITCH		1				
048	EE80500010	ANTI PARASITE CONDENSER		1				
049	EE80201302	LOCK WASHER		4				
051	EE80600072	INTERCONNECTING WIRE		1				
052	EE80200582	NOTCHED PIN PLUG		1				
053	EE80201280	SELF TAPPING SCREW		1				
055	EE80900119	GREASE COMPARTMENT BARRIER		1				
056	EE80900201	PLUG		1				