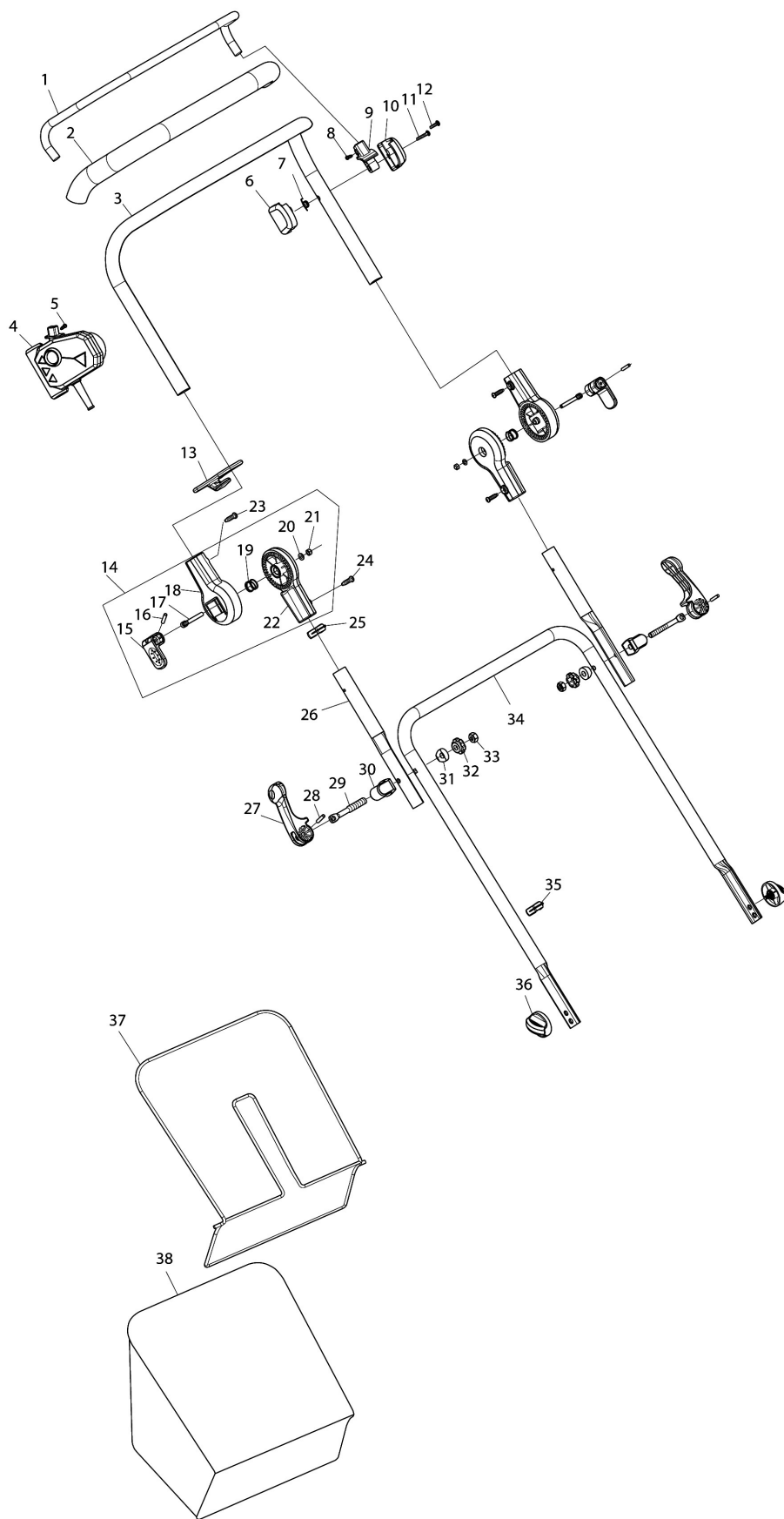
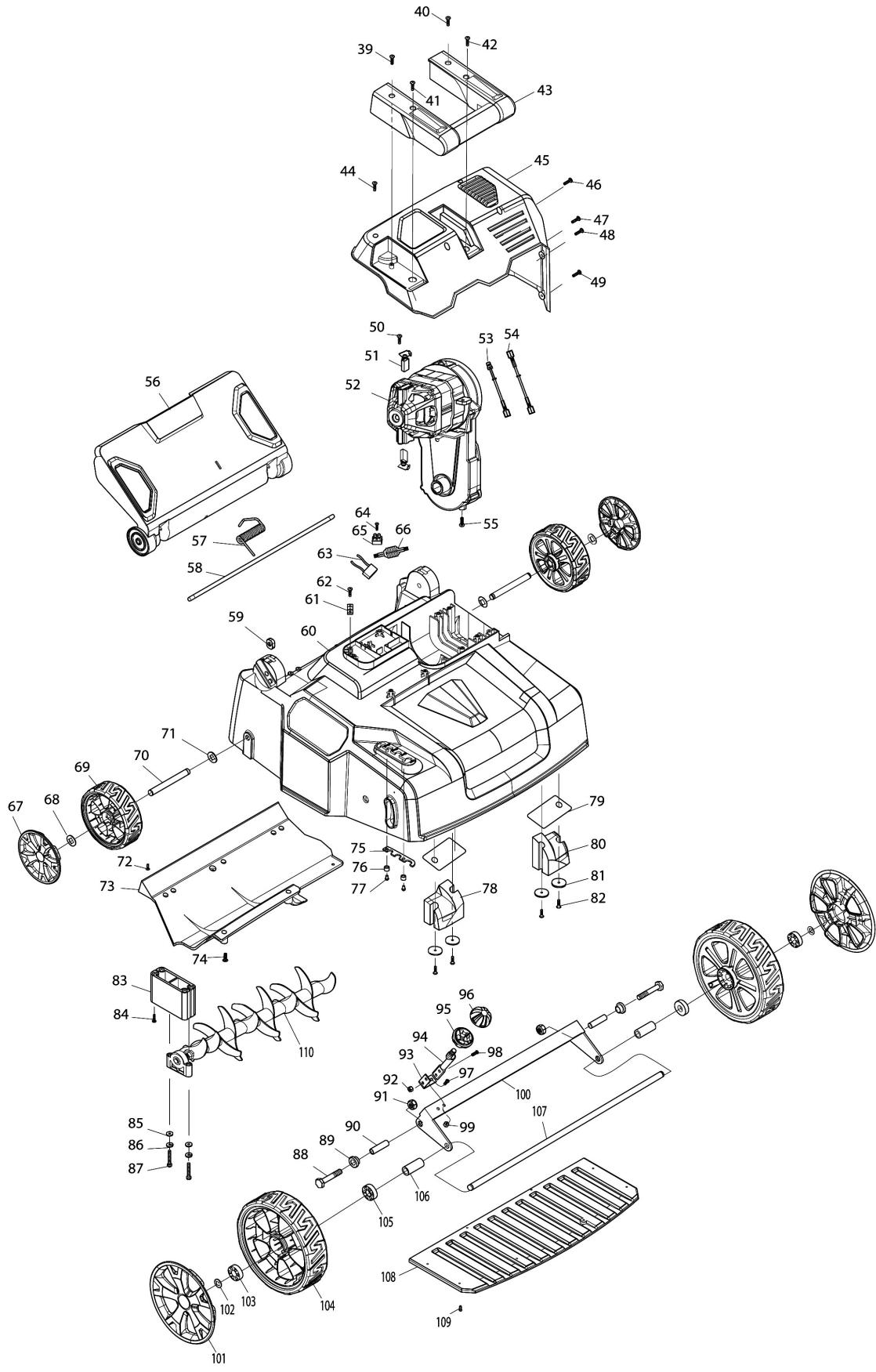


Model No.UV3600 ELECTRIC SCARIFIER



Model No.UV3600 ELECTRIC SCARIFIER



## Model No.UV3600 ELECTRIC SCARIFIER

| Item | Parts No.  | Description                   | I/C | QTY | New/Old | Opt. 1 | Opt. 2 | NOTE |
|------|------------|-------------------------------|-----|-----|---------|--------|--------|------|
| 001  | 652023784  | SWITCH LEVER                  |     | 1   |         |        |        |      |
| 002  | 652023789  | SOFT FOAM GRIP                |     | 1   |         |        |        |      |
| 003  | 652023790  | UPPER HANDLE BAR              |     | 1   |         |        |        |      |
| 004  | 352027801  | SWITCH BOX ASSY (UK PLUG)     |     | 1   |         |        |        |      |
| C10  | YA00000676 | TAPPING SCREW 4X18            |     | 6   |         |        |        |      |
| C20  | 652023982  | CORD CLAMP                    |     | 1   |         |        |        |      |
| C30  | 652026443  | TAPPING SCREW 4X12            |     | 2   |         |        |        |      |
| 005  | 652024721  | SELF DRILLING SCREW 3.5X10    |     | 1   |         |        |        |      |
| 006  | 652023795  | SPRING BOX RIGHT              |     | 1   |         |        |        |      |
| 007  | YA00000737 | TORSION SPRING                |     | 1   |         |        |        |      |
| 008  | 652024721  | SELF DRILLING SCREW 3.5X10    |     | 1   |         |        |        |      |
| 009  | 652023794  | SWITCH LEVER END LEFT         |     | 1   |         |        |        |      |
| 010  | 652023793  | SPRING BOX LEFT               |     | 1   |         |        |        |      |
| 011  | 652023792  | TAPPING SCREW ST4X25          |     | 1   |         |        |        |      |
| 012  | YA00000676 | TAPPING SCREW 4X18            |     | 1   |         |        |        |      |
| 013  | 652023811  | CABLE HANGER                  |     | 1   |         |        |        |      |
| 014  | YA00000703 | TENSION LEVER SMALL ASSY      |     | 2   |         |        |        |      |
| D10  |            | INC. 15-22                    |     |     |         |        |        |      |
| 015  | 652024723  | TENSION LEVER SMALL           |     | 2   |         |        |        |      |
| 016  | 652023800  | PIN 4                         |     | 2   |         |        |        |      |
| 017  | 652023799  | TENSION BOLT M5               |     | 2   |         |        |        |      |
| 018  | 652023797  | UPPER HANDLE JOINT            |     | 2   |         |        |        |      |
| 019  | 652023798  | COMPRESSION SPRING            |     | 2   |         |        |        |      |
| 020  | 652023803  | FLAT WASHER 5                 |     | 2   |         |        |        |      |
| 021  | 652023804  | NYLON INSERT HEX. LOCK NUT M5 |     | 2   |         |        |        |      |
| 022  | 652023802  | LOWER HANDLE JOINT            |     | 2   |         |        |        |      |
| 023  | 652023796  | SELF DRILLING SCREW 4.8X20    |     | 2   |         |        |        |      |
| 024  | 652023796  | SELF DRILLING SCREW 4.8X20    |     | 2   |         |        |        |      |
| 025  | 652023810  | CABLE CLIP                    |     | 1   |         |        |        |      |
| 026  | 652023805  | HANDLE BAR CENTER             |     | 2   |         |        |        |      |
| 027  | 652024725  | TENSION LEVER LARGE           |     | 2   |         |        |        |      |
| 028  | 652024727  | SPRING PIN 6X20               |     | 2   |         |        |        |      |
| 029  | 652024728  | TENSION BOLT M8               |     | 2   |         |        |        |      |
| 030  | 652024729  | SADDLE RETAINER 8             |     | 2   |         |        |        |      |
| 031  | 652024730  | PLASTIC SADDLE WASHER 8       |     | 2   |         |        |        |      |
| 032  | 652024731  | KNOB                          |     | 2   |         |        |        |      |
| 033  | 652024732  | HEX. NUT 8                    |     | 2   |         |        |        |      |
| 034  | 652024733  | LOWER HANDLE BAR              |     | 1   |         |        |        |      |
| 035  | 652023810  | CABLE CLIP                    |     | 1   |         |        |        |      |
| 036  | 652024078  | KNOB BOLT M8                  |     | 2   |         |        |        |      |
| 037  | 652024724  | GRASS CATCHER FRAME           |     | 1   |         |        |        |      |
| 038  | 652025252  | GRASS CATCHER BAG<br>MAKITA   |     | 1   |         |        |        |      |
| 039  | 652023766  | TAPPING SCREW ST4X14          |     | 1   |         |        |        |      |
| 040  | 652023766  | TAPPING SCREW ST4X14          |     | 1   |         |        |        |      |

Please order the parts with part number.

Print Date 11/3/2019

## Model No.UV3600 ELECTRIC SCARIFIER

| Item | Parts No.  | Description                   | I/C | QTY | New/Old | Opt. 1 | Opt. 2 | NOTE |
|------|------------|-------------------------------|-----|-----|---------|--------|--------|------|
| 041  | YA00000676 | TAPPING SCREW 4X18            |     | 1   |         |        |        |      |
| 042  | 652023792  | TAPPING SCREW ST4X25          |     | 1   |         |        |        |      |
| 043  | 652023903  | MOTOR COVER HANDLE            |     | 1   |         |        |        |      |
| 044  | 652023766  | TAPPING SCREW ST4X14          |     | 6   |         |        |        |      |
| 045  | 652023829  | MOTER COVER                   |     | 1   |         |        |        |      |
| 046  | 652023766  | TAPPING SCREW ST4X14          |     | 1   |         |        |        |      |
| 047  | 652023766  | TAPPING SCREW ST4X14          |     | 1   |         |        |        |      |
| 048  | YA00000631 | TAPPING SCREW 4X10            |     | 1   |         |        |        |      |
| 049  | YA00000631 | TAPPING SCREW 4X10            |     | 1   |         |        |        |      |
| 050  | 652023766  | TAPPING SCREW ST4X14          |     | 2   |         |        |        |      |
| 051  | 652024748  | CARBON BRUSH 2PCS/SET         |     | 1   |         |        |        |      |
| 052  | 652023856  | MOTOR ASSY 230V               |     | 1   |         |        |        |      |
| C10  | 652023876  | COGGED BELT 14 X 300 LI       |     | 1   |         |        |        |      |
| C20  | 652025580  | COGGED BELT 15 X 300 LI       |     | 1   |         |        |        |      |
| D10  |            | INC. 51,53,54                 |     |     |         |        |        |      |
| 053  | 652024743  | CONNECTION WIRE L=85          |     | 1   |         |        |        |      |
| 054  | 652024744  | CONNECTION WIRE L=220         |     | 1   |         |        |        |      |
| 055  | YA00000630 | PAN HEAD SCREW M4X12 WITH WR  |     | 2   |         |        |        |      |
| 056  | 652023815  | REAR FLAP                     |     | 1   |         |        |        |      |
| 057  | 652023820  | REAR FLAP TORSION SPRING      |     | 1   |         |        |        |      |
| 058  | 652024726  | REAR FLAP HINGE ROD           |     | 1   |         |        |        |      |
| 059  | 652023814  | RECTANGLAR NUT M8             |     | 2   |         |        |        |      |
| 060  | 652025253  | DECK BLUE                     |     | 1   |         |        |        |      |
| 061  | 652023982  | CORD CLAMP                    |     | 1   |         |        |        |      |
| 062  | 652023766  | TAPPING SCREW ST4X14          |     | 2   |         |        |        |      |
| 063  | 652023827  | CAPACITOR                     |     | 1   |         |        |        |      |
| 064  | 652023825  | TAPPING SCREW 3X22            |     | 1   |         |        |        |      |
| 065  | 652023826  | TERMINAL BLOCK                |     | 2   |         |        |        |      |
| 066  | 652023828  | CHOKE COIL                    |     | 1   |         |        |        |      |
| 067  | 652023904  | REAR WHEEL COVER              |     | 2   |         |        |        |      |
| 068  | 652023831  | PUSH NUT 10                   |     | 2   |         |        |        |      |
| 069  | 652023835  | REAR WHEEL                    |     | 2   |         |        |        |      |
| 070  | 652024735  | REAR AXLE                     |     | 2   |         |        |        |      |
| 071  | 652023831  | PUSH NUT 10                   |     | 2   |         |        |        |      |
| 072  | 652024742  | TRUSS HEAD TAPPING SCREW 3X12 |     | 5   |         |        |        |      |
| 073  | 652024736  | DRUM HOUSE PROTECTION PANEL   |     | 1   |         |        |        |      |
| 074  | YA00000655 | TRUSS HEAD TAPPING SCREW 4X12 |     | 3   |         |        |        |      |
| 075  | 652023906  | HEIGHT ADJUSTER STOP PLATE    |     | 1   |         |        |        |      |
| 076  | 652024737  | SLEEVE 5                      |     | 2   |         |        |        |      |
| 077  | 652023661  | TRUSS HEAD TAPPING SCREW 3X8  |     | 2   |         |        |        |      |
| 078  | 652024740  | WEIGHT FRONT RIGHT            |     | 1   |         |        |        |      |
| 079  | YA00000675 | RUBBER SHEET                  |     | 2   |         |        |        |      |
| 080  | 652024739  | WEIGHT FRONT LEFT             |     | 1   |         |        |        |      |

Please order the parts with part number.

Print Date 11/3/2019

## Model No.UV3600 ELECTRIC SCARIFIER

| Item | Parts No. | Description                       | I/C | QTY | New/Old | Opt. 1 | Opt. 2 | NOTE |
|------|-----------|-----------------------------------|-----|-----|---------|--------|--------|------|
| 081  | 652023854 | CLAMP WASHER 4                    |     | 4   |         |        |        |      |
| 082  | 652023792 | TAPPING SCREW ST4X25              |     | 4   |         |        |        |      |
| 083  | 652023940 | DRUM HOLDER RIGHT SIDE            |     | 1   |         |        |        |      |
| 084  | 652023939 | TAPPING SCREW 4X20 WITH<br>WR     |     | 4   |         |        |        |      |
| 085  | 652023937 | FLAT WASHER 6                     |     | 2   |         |        |        |      |
| 086  | 652023936 | SPRING WASHER 6                   |     | 2   |         |        |        |      |
| 087  | 652023935 | HEX. BOLT M6X45                   |     | 2   |         |        |        |      |
| 088  | 652023846 | HEX. BOLT M8                      |     | 2   |         |        |        |      |
| 089  | 652023845 | FRONT AXLE SUPPORT RING           |     | 2   |         |        |        |      |
| 090  | 652023844 | FRONT AXLE SUPPORT<br>SLEEVE      |     | 2   |         |        |        |      |
| 091  | 652023843 | NYLON INSERT HEX. LOCK<br>NUT M8  |     | 2   |         |        |        |      |
| 092  | 652023804 | NYLON INSERT HEX. LOCK<br>NUT M5  |     | 2   |         |        |        |      |
| 093  | 652023841 | HEIGHT ADJUSTMENT LEAF<br>SPRING  |     | 1   |         |        |        |      |
| 094  | 652024741 | HEIGHT ADJUSTMENT LEVER           |     | 1   |         |        |        |      |
| 095  | 652023837 | HEIGHT ADJUSTMENT GRIP<br>LOWER   |     | 1   |         |        |        |      |
| 096  | 652023836 | HEIGHT ADJUSTMENT GRIP<br>UPPER   |     | 1   |         |        |        |      |
| 097  | 652023840 | PAN HEAD SCREW M5X12              |     | 2   |         |        |        |      |
| 098  | 652023840 | PAN HEAD SCREW M5X12              |     | 2   |         |        |        |      |
| 099  | 652023804 | NYLON INSERT HEX. LOCK<br>NUT M5  |     | 2   |         |        |        |      |
| 100  | 652023842 | FRONT AXLE SUPPORT                |     | 1   |         |        |        |      |
| 101  | 652023905 | FRONT WHEEL COVER                 |     | 2   |         |        |        |      |
| 102  | 652023831 | PUSH NUT 10                       |     | 2   |         |        |        |      |
| 103  | 652024745 | PLASTIC BEARING                   |     | 2   |         |        |        |      |
| 104  | 652026437 | FRONT WHEEL                       |     | 2   |         |        |        |      |
| 105  | 652024745 | PLASTIC BEARING                   |     | 2   |         |        |        |      |
| 106  | 652023848 | FRONT AXLE SLEEVE                 |     | 2   |         |        |        |      |
| 107  | 652024747 | FRONT AXLE                        |     | 1   |         |        |        |      |
| 108  | 652023850 | FRONT UNDER PANEL                 |     | 1   |         |        |        |      |
| 109  | 652023851 | TAPPING SCREW 3X12                |     | 8   |         |        |        |      |
| 110  | 652024746 | SCARIFIER DRUM FOR<br>SCARYING    |     | 1   |         |        |        |      |
| A01  | 652024749 | SCARIFIER COMBINATION<br>DRUM     |     | 1   |         |        |        |      |
| A02  | 652024750 | SCARIFIER DRUM FOR LAWN<br>RAKING |     | 1   |         |        |        |      |

Please order the parts with part number.

Print Date 11/3/2019