



INSTRUCTIONS FOR:

MOUNTING FRAME FOR GARAGE STORAGE SYSTEM

MODEL No: **APMF**

Thank you for purchasing a Sealey product. Manufactured to a high standard, this product will, if used according to these instructions, and properly maintained, give you years of trouble free performance.



IMPORTANT: PLEASE READ THESE INSTRUCTIONS CAREFULLY. NOTE THE SAFE OPERATIONAL REQUIREMENTS, WARNINGS & CAUTIONS. USE THE PRODUCT CORRECTLY AND WITH CARE FOR THE PURPOSE FOR WHICH IT IS INTENDED. FAILURE TO DO SO MAY CAUSE DAMAGE AND/OR PERSONAL INJURY AND WILL INVALIDATE THE WARRANTY. KEEP THESE INSTRUCTIONS SAFE FOR FUTURE USE.

1. SAFETY

1.1 GENERAL SAFETY

- ❑ **WARNING!** Ensure Health & Safety, local authority, and general workshop practice regulations are adhered to when using this product.
- ❑ **WARNING!** Use caution when handling and assembling the metal components. The metal may have sharp edges or corners, the use of protective gloves is recommended.
- ✓ This mounting frame can only be attached to the AP165WB Work Bench (sold separately), failure to do so may cause personal injury or damage to the product.
- ✓ Locate work bench mounting frame assembly in a suitable working area.
- ✓ Secure the assembly to wall.
- ✓ Keep the work area clean, uncluttered and ensure there is adequate lighting.
- ✓ Keep the mounting frame clean and tidy in accordance with good workshop practice.
- ✓ Keep children and unauthorised persons away from the working area.
- ✓ Only hang a maximum of two AP02WC cabinets (sold separately) on the frame, the use of unauthorised components being hung on the frame may cause the assembly to become unstable and could result in personal injury or damage to the product.
- ✓ A maximum of four APSPB peg board panels (2 per pack sold separately) can be fitted to the unit.
- x **DO NOT** exceed the maximum weight for each peg board panel of 20kg (45lb).
- x **DO NOT** use the mounting frame for any purpose other than that for which it is designed.
- x **DO NOT** climb on the mounting frame.
- x **DO NOT** use in damp work areas.
- ❑ **WARNING!** The warnings, cautions and instructions referred to in this instruction manual cannot cover all possible conditions and situations that may occur. It must be understood that common sense and caution are factors which cannot be built into this product, but must be applied by the operator.



2. INTRODUCTION

Main support structure for the professional garage storage system or an individual storage panel. Must be assembled to the AP165WB Work Bench, AP02WC Cabinets and APSPB peg boards can then be easily hung or fixed to the frame. Manufactured from tough steel with a graphite powder coat finish for corrosion resistance.

Overall Size (W x D x H):	1648 x 40 x 2340mm
---------------------------	--------------------

3. ASSEMBLY

- 3.1 Attach the two (A) posts and post (B) to the work bench as shown in Fig.2. Tighten finger tight only at this stage.
- 3.2 Attach crossbeam (C) to the uprights as shown in Fig.3, finger tighten.
- Note:** Ensure the crossbeam has the two large holes for power cables.
- 3.3 Attach crossbeam (D) to the uprights as shown in Fig 4, ensuring that the two small holes are uppermost and finger tighten.
- 3.4 Attach crossbeams (E) and (F) as shown in Fig.5 and finger tighten.
- Note:** Crossbeam (F) has holes for the wall securing bracket (G).
- 3.5 Square the unit and fully tighten all bolts.
- 3.6 Attach wall securing bracket (G) to crossbeam (F) see Fig.6, both (G) and (F) have multiple holes to enable the bracket to allow adjustment with a wall stud and to be flush with the wall.
- 3.7 With the workbench and mounting frame located in the desired position, align the bracket with a wall stud and drill a 3/16" pilot hole.
- 3.8 Secure the workbench frame assembly to the wall with bolt (K).

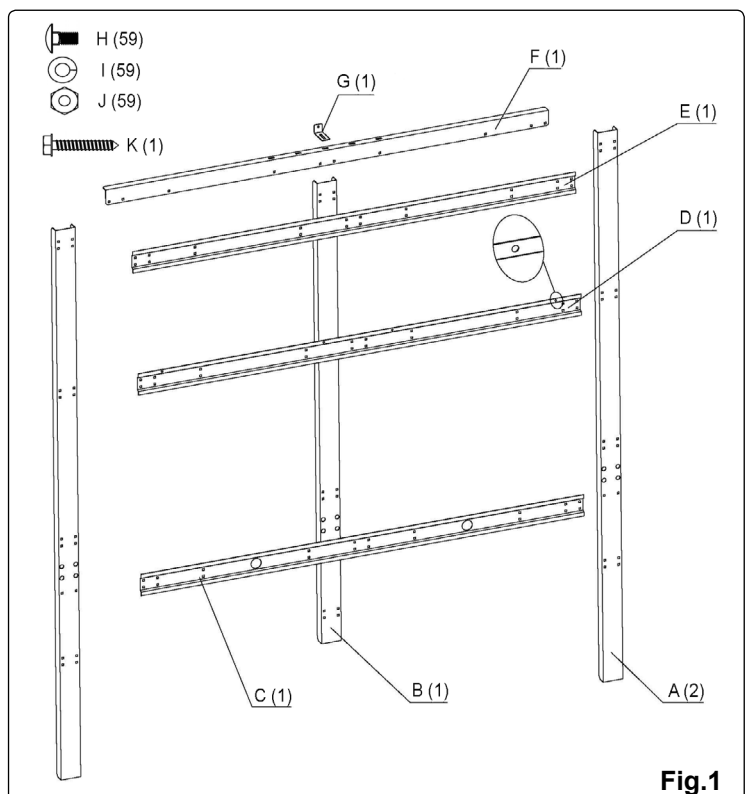
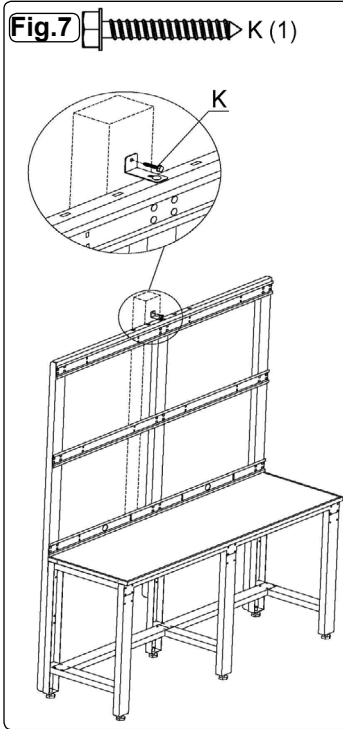
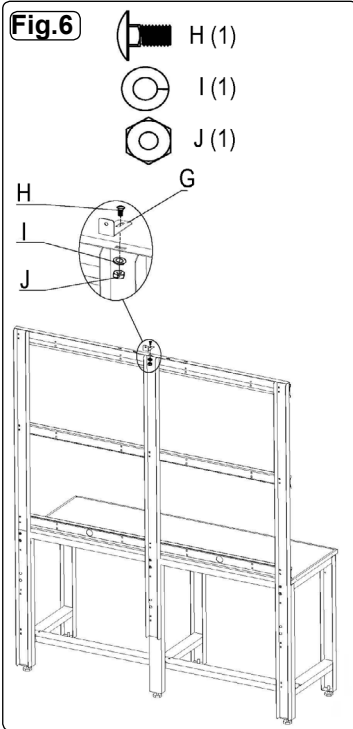
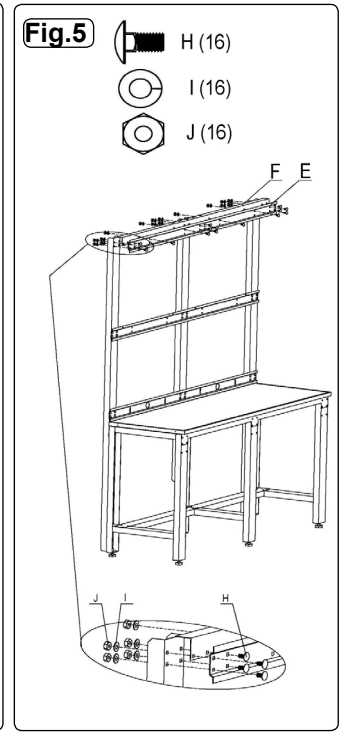
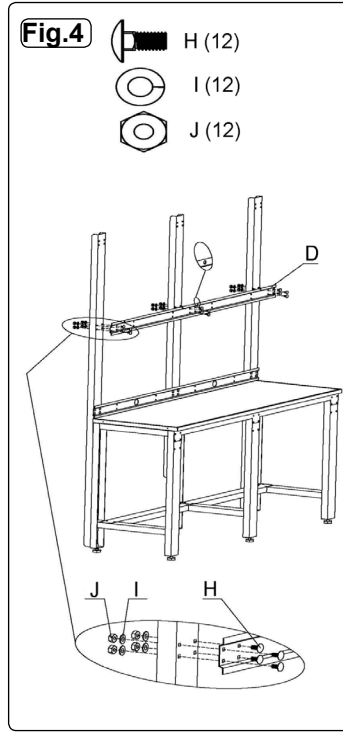
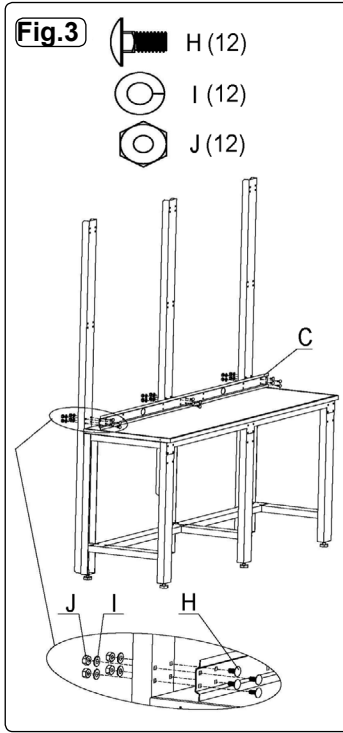
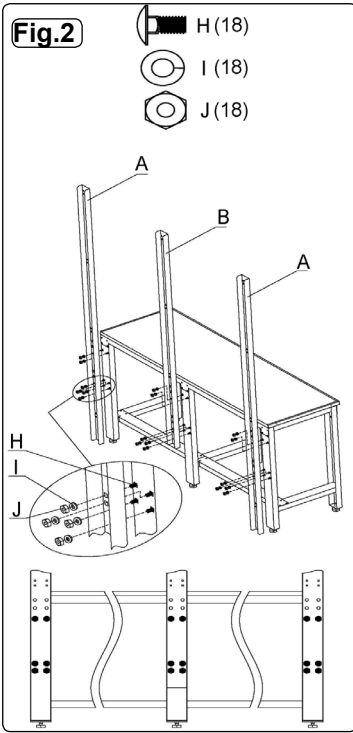


Fig.1



Mounting Frame shown here in conjunction with other options available. Contact your Sealey Dealer for more details.

4. MAINTENANCE

- 4.1 Periodically the surface should be cleaned with a mild detergent and water solution.
- 4.2 Grease and oil can be removed with most standard cleaning fluids. For safety, use a nonflammable cleaning fluid.

Parts support is available for this product.

To obtain a parts list and diagram please log on to www.sealey.co.uk, email sales@sealey.co.uk or phone 01284 757500

NOTE: It is our policy to continually improve products and as such we reserve the right to alter data, specifications and component parts without prior notice.

IMPORTANT: No liability is accepted for incorrect use of this product.

WARRANTY: Guarantee is 12 months from purchase date, proof of which will be required for any claim.

INFORMATION: For a copy of our latest catalogue and promotions call us on 01284 757525 and leave your full name and address, including postcode.



Sole UK Distributor, Sealey Group,
Kempson Way, Suffolk Business Park,
Bury St. Edmunds, Suffolk,
IP32 7AR



01284 757500



01284 703534



www.sealey.co.uk



sales@sealey.co.uk