



# INSTRUCTIONS FOR: WORKSHOP TROLLEY STAINLESS STEEL 3-LEVEL

MODEL NO: **CX410SS**

Thank you for purchasing a Sealey product. Manufactured to a high standard, this product will, if used according to these instructions and maintained properly, give you years of trouble free performance.

**IMPORTANT: PLEASE READ THESE INSTRUCTIONS CAREFULLY. NOTE THE SAFE OPERATIONAL REQUIREMENTS, WARNINGS & CAUTIONS. USE THE PRODUCT CORRECTLY AND WITH CARE FOR THE PURPOSE FOR WHICH IT IS INTENDED. FAILURE TO DO SO MAY CAUSE DAMAGE AND/OR PERSONAL INJURY AND WILL INVALIDATE THE WARRANTY. KEEP THESE INSTRUCTIONS SAFE FOR FUTURE USE.**



Refer to  
Instruction  
manual

## 1. SAFETY

### 1.1. GENERAL SAFETY

- WARNING!** *Ensure Health & Safety, local authority, and general workshop practice regulations are adhered to when using this trolley.*
- ✓ Always load evenly with the centre of gravity of the load as near centre of the trolley as possible.
- ✗ **DO NOT overload the trolley - maximum weight per level is 30kg.**
- ✗ Use the trolley in a suitable work area.
- ✓ Keep the work area clean, uncluttered and ensure there is adequate lighting.
- ✓ Keep the trolley clean and tidy in accordance with good workshop practice.
- ✗ **DO NOT** use the trolley for any purpose other than that for which it is designed.
- ✗ **DO NOT** stand on the trolley, use it as a ladder or allow others to ride on the trolley.
- ✓ Use the wheel locks to prevent the trolley from inadvertently moving.
- ✗ **DO NOT** leave unattended, especially when loaded, unless the wheels are locked, chocked or the trolley otherwise secured.
- ✗ **DO NOT** use trolley on uneven ground and do not run over curbs or steps - use a ramp.
- ✗ **DO NOT** use trolley if any part is significantly damaged, paying particular attention to the wheels.
- ✓ Keep children and unauthorised persons away from the work area.

## 2. INTRODUCTION

Grade 304 stainless steel workshop trolley with three 30kg capacity shelves. Shelves have 30mm walls around the sides and back with an opening at the front - ideal for quickly getting to tools or fixings without obstruction. Fitted with a side handle and four castor wheels for ease of mobility around the workplace. Supplied flat packed.

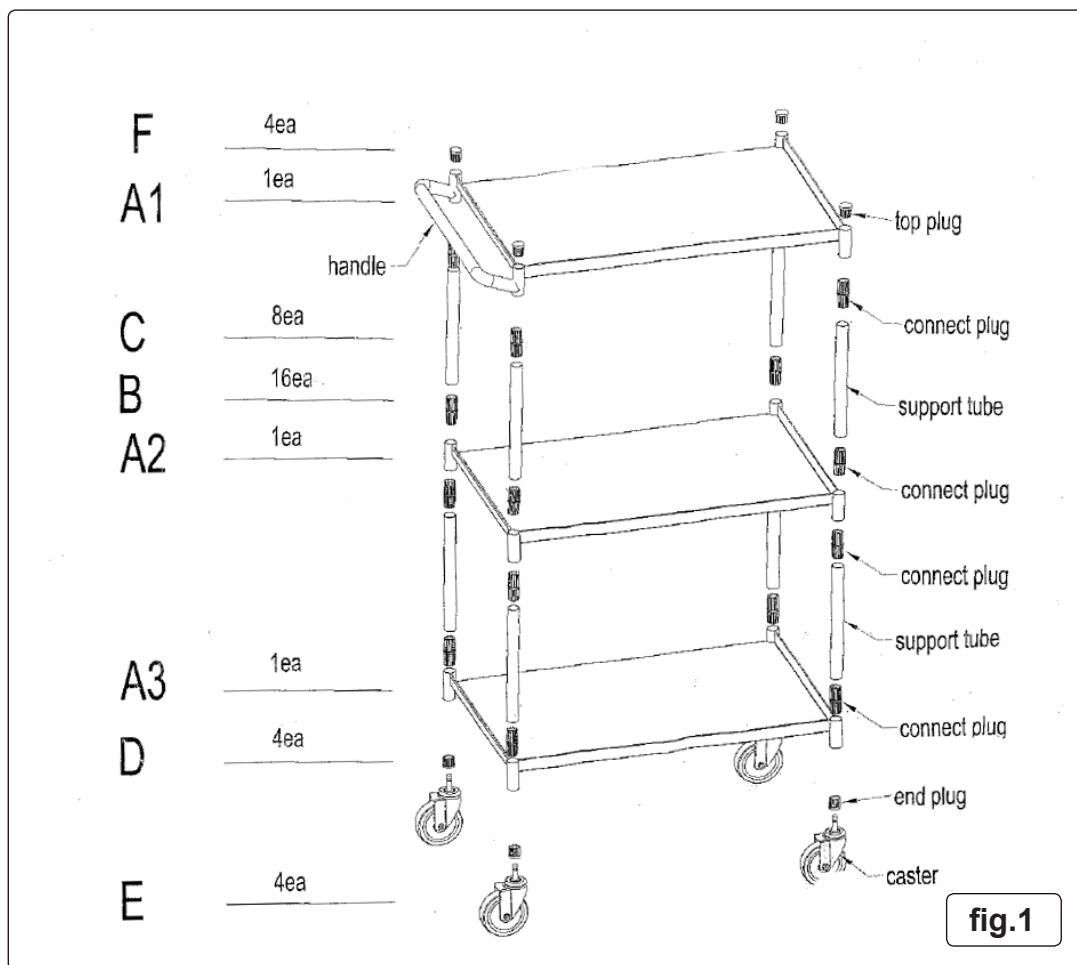
## 3. SPECIFICATION

Model No: ..... **CX410SS**  
 Overall Size (W x D x H): ..... 810 x 458 x 862mm  
 Shelf Size (W x D x H): ..... 715 x 450 x 30mm  
 Capacity: ..... 30kg/level\*  
 \*Evenly distributed.



## 4. ASSEMBLY

4.1. Assemble as shown in fig.1



### Environmental Protection



Recycle unwanted materials instead of disposing of them as waste. All tools, accessories and packaging should be sorted, taken to a recycling centre and disposed of in a manner which is compatible with the environment. When the product becomes completely unserviceable dispose of it according to local regulations.

**NOTE:** It is our policy to improve products continually and as such we reserve the right to alter data, specifications and component parts without prior notice.

**IMPORTANT:** No liability is accepted for incorrect use of this product.

**WARRANTY:** Guarantee is 12 months from purchase date, proof of which will be required for any claim.



Sole UK Distributor, Sealey Group,  
Kempson Way, Suffolk Business Park,  
Bury St. Edmunds, Suffolk,  
IP32 7AR



01284 757500



01284 703534



www.sealey.co.uk



sales@sealey.co.uk