



BENCH MOUNTED METAL FOLDER

MODEL NO: DF600.V2

Thank you for purchasing a Sealey product. Manufactured to a high standard, this product will, if used according to these instructions, and properly maintained, give you years of trouble free performance.

IMPORTANT: PLEASE READ THESE INSTRUCTIONS CAREFULLY. NOTE THE SAFE OPERATIONAL REQUIREMENTS, WARNINGS & CAUTIONS. USE THE PRODUCT CORRECTLY AND WITH CARE FOR THE PURPOSE FOR WHICH IT IS INTENDED. FAILURE TO DO SO MAY CAUSE DAMAGE AND/OR PERSONAL INJURY AND WILL INVALIDATE THE WARRANTY. KEEP THESE INSTRUCTIONS SAFE FOR FUTURE USE.



Refer to instruction manual



Wear protective gloves



Wear eye protection

1. SAFETY

- ✓ Wear approved safety goggles when operating. Your local Sealey stockist offers a complete range of safety equipment.
- ✓ Use the tool only for its intended purpose.
- ✓ Check regularly for damaged parts. **DO NOT** use if any of its components are broken, worn or damaged.
- ✓ Use original Sealey spare parts and accessories. Use of non-recommended spare parts may be dangerous and will invalidate warranty.
- ✗ **DO NOT** operate this tool while under the influence of drugs, alcohol or other impairing medication.
- ✗ **DO NOT** Allow unqualified persons to operate the metal folder. Keep children away from the tool.

2. INTRODUCTION

Suitable for mounting in a sturdy bench mounted vice and capable of bending up to 22 gauge steel sheet. Suitable for small garage or restoration operation.

3. SPECIFICATION

Model no:..... DF600.V2
Capacity: 600mm x 22 gauge sheet, Ø2mm rod.
Max. width of 14 gauge (2mm) steel sheet strip:.....100mm
Weight:9.13kg

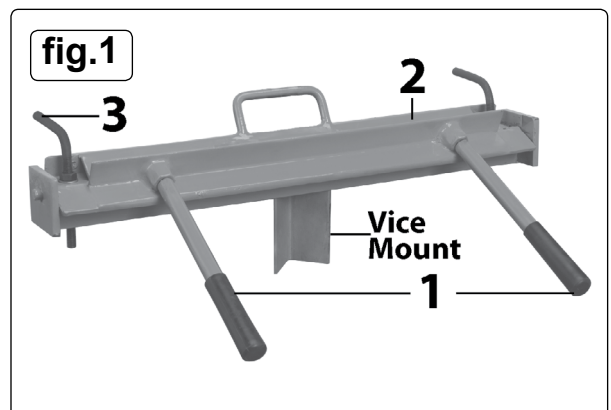
Note: When bending 14 gauge (2mm) strip or Ø2mm steel rod, they must be placed close to one of the set screws.

4. CONTENTS

- 4.1. Unpack and check that all parts are included and not damaged.
Contents: 1 x main frame, 2 x handles, 1 x folding plate, 2 x set screws L - shaped.
- 4.2. Attach the top plate using the L-shaped set screws (fig1.3).
- 4.3. Screw the two lever handles (fig1.1) tightly into the threaded sockets of the folding plate (2) these should now face toward you.
- 4.4. Ensure the assembled folder is parallel and tight in the vice.
- 4.5. Re-check your installation before use.

5. OPERATION

- 5.1. Ensure the unit is securely held in the vice.
- 5.2. Insert a test piece of sheet metal in the folder.
- 5.3. Secure the sheet between the folding lips by tightening the two L-shaped set screws (3) to secure the metal.
- 5.4. Firmly grip the two handles and raise the folder to create the fold.
- 5.5. When satisfied with the test results, proceed with the actual workpiece.
- 5.6. Repeat the above steps 5.1 - 5.4 for each new workpiece.





ENVIRONMENT PROTECTION

Recycle unwanted materials instead of disposing of them as waste. All tools, accessories and packaging should be sorted, taken to a recycling centre and disposed of in a manner which is compatible with the environment. When the product becomes completely unserviceable and requires disposal, drain any fluids (if applicable) into approved containers and dispose of the product and fluids according to local regulations.

Note: It is our policy to continually improve products and as such we reserve the right to alter data, specifications and component parts without prior notice.

Important: No Liability is accepted for incorrect use of this product.

Warranty: Guarantee is 12 months from purchase date, proof of which is required for any claim.

Sealey Group, Kempson Way, Suffolk Business Park, Bury St Edmunds, Suffolk. IP32 7AR



01284 757500



01284 703534



sales@sealey.co.uk



www.sealey.co.uk