



UNIVERSAL ENGINE SUPPORT

MODEL NO: **ES600**

Thank you for purchasing a Sealey product. Manufactured to a high standard, this product will, if used according to these instructions, and properly maintained, give you years of trouble free performance.

IMPORTANT: PLEASE READ THESE INSTRUCTIONS CAREFULLY. NOTE THE SAFE OPERATIONAL REQUIREMENTS, WARNINGS & CAUTIONS. USE THE PRODUCT CORRECTLY AND WITH CARE FOR THE PURPOSE FOR WHICH IT IS INTENDED. FAILURE TO DO SO MAY CAUSE DAMAGE AND/OR PERSONAL INJURY AND WILL INVALIDATE THE WARRANTY. KEEP THESE INSTRUCTIONS SAFE FOR FUTURE USE.



Refer to instruction manual



Wear protective gloves



Wear protective clothing



Wear protective footwear

1. SAFETY

- ✓ Ensure that the engine support is in good working order. Take action for immediate repair or replacement of damaged parts. Use genuine parts only. The use of unauthorised parts may be dangerous and will invalidate the warranty.
- ✓ Locate the vehicle in a suitable, well lit work area.
- ✓ Keep work area clean and tidy and free from unrelated materials.
- ✓ Ensure the vehicle handbrake is engaged and the engine/motor is switched off.
- ✓ Ensure all non-essential persons keep a safe distance whilst the engine support is in use.
- ✓ When not in use, store engine support in a safe, dry, childproof area.
- ✗ **DO NOT** use the engine support if damaged.
- ✗ **DO NOT** allow untrained persons to operate the engine support.
- ✗ **DO NOT** exceed the rated capacity of the engine support.
- ✗ **DO NOT** use the engine support for purposes other than that for which it is designed.

2. INTRODUCTION

The ES600 is suitable for heavy engines including 6-cylinder variants. Supports engine during maintenance operations including engine mounting replacement. Beam is supported on 2 rubber covered feet with 3rd, height adjustable foot resting on the front of the vehicle. Supplied with 2 short lifting chains

3. SPECIFICATION

Maximum Capacity	600kg
Length min/max	600/*875 (* allows 200 mm safety margin)
Width min/max	1010/*1210 (* allows 200 mm safety margin)
Nett weight.....	16.84kg
Screw travel	65mm

4. ASSEMBLY

NOTE: Numbers in brackets refer to item numbers shown in the parts diagram

- 4.1. Slide the moveable beam assembly (11) onto the beam (1).
- 4.2. Slide the two moveable beams (7) into position as required. **NOTE:** The moveable beams (7) can be fitted either side of the moveable beam assembly (11), as shown in fig.1. or one can be fitted to the moveable beam assembly (11).
- 4.3. Adjust the position of the moveable beams (7) to provide the optimum weight distribution.
- 4.4. Remove the bolts and washers (4 & 2) from the ends of the beam (1) and telescopic beam (16). Fit the standing platform assemblies (3) and secure using the bolts and washers previously removed.
- 4.5. Slide the telescopic beam (16) inside the beam (1).
- 4.6. Remove the pin (13) from the support arm (15), slide the telescopic beam assembly (12) onto the support arm, adjust for the required position and secure by fitting the pin through both items.
- 4.7. Slide the telescopic beam assembly (12) into the moveable beam assembly (11).
- 4.8. Remove the nut (5) and washer (6) from both "J" hooks (8), insert the "J" hooks through the locating tubes on the moveable beams and refit the washers and nuts.
- 4.9. The engine support is now ready for use.

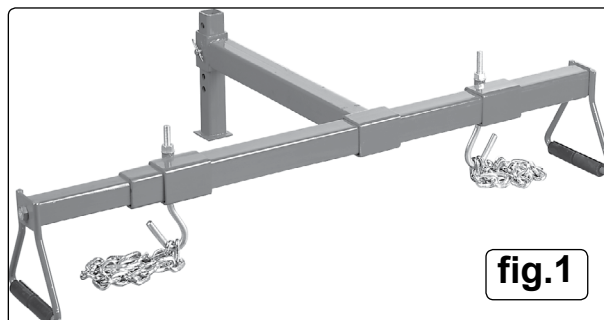
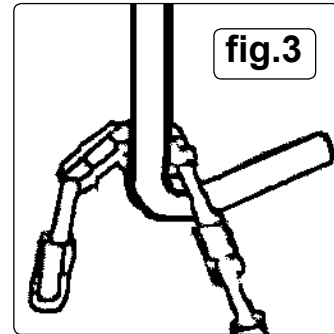


fig.1

5. OPERATION

NOTE: Numbers in brackets refer to item numbers shown in the parts diagram.

- 5.1. Position the support beam over the engine with the standing platform assemblies (3) in the gutters of the wing panels, or close to the suspension strut towers and the support arm positioned on the front cross member of the car, as shown in fig.2.
- 5.2. Attach the chains to engine lifting points and hook them over the "J" hooks as shown in fig.3. **NOTE:** Refer to manufacturer's handbook to identify lifting brackets.
- 5.3. Tighten the nuts (5) to tension the chain and support the engine.
- 5.4. On completion of the maintenance task, loosen the nuts (5) to release the tension on the chain. Remove the engine support from the vehicle. Remove the chain from the engine lifting points.



ENVIRONMENT PROTECTION

Recycle unwanted materials instead of disposing of them as waste. All tools, accessories and packaging should be sorted, taken to a recycling centre and disposed of in a manner which is compatible with the environment. When the product becomes completely unserviceable and requires disposal, drain any fluids (if applicable) into approved containers and dispose of the product and fluids according to local regulations.

Note: It is our policy to continually improve products and as such we reserve the right to alter data, specifications and component parts without prior notice.

Important: No Liability is accepted for incorrect use of this product.

Warranty: Guarantee is 12 months from purchase date, proof of which is required for any claim.

Sealey Group, Kempson Way, Suffolk Business Park, Bury St Edmunds, Suffolk. IP32 7AR



01284 757500



01284 703534



sales@sealey.co.uk



www.sealey.co.uk